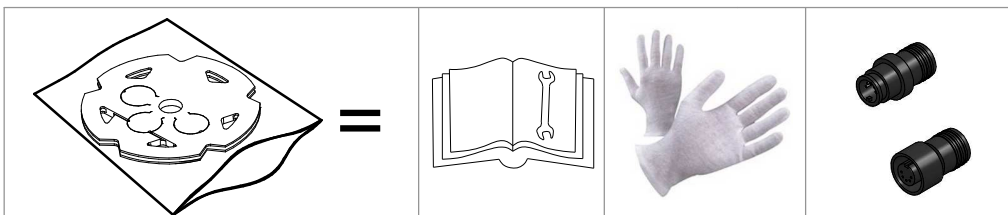
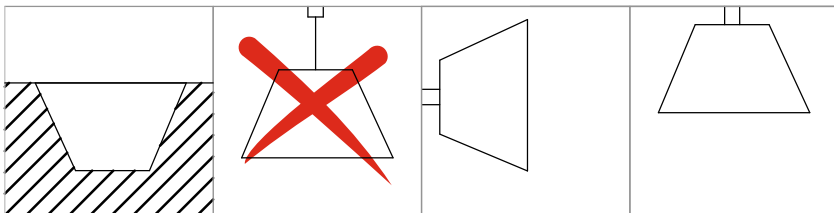
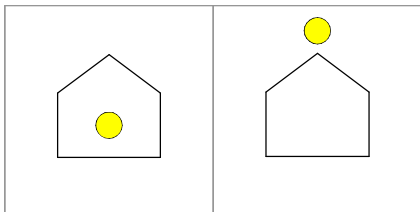
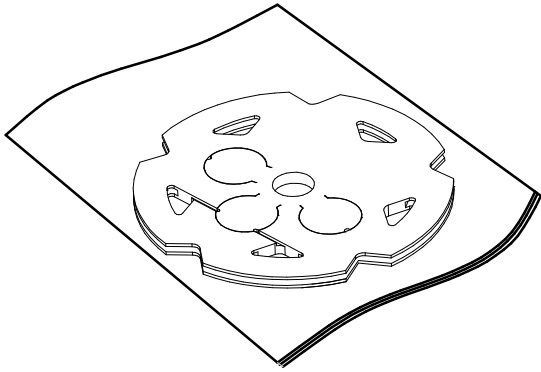


041000045000

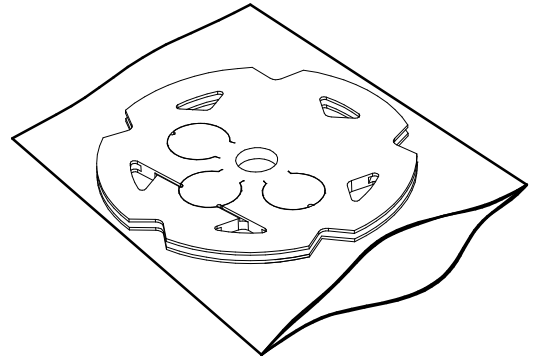
Rubber 3D



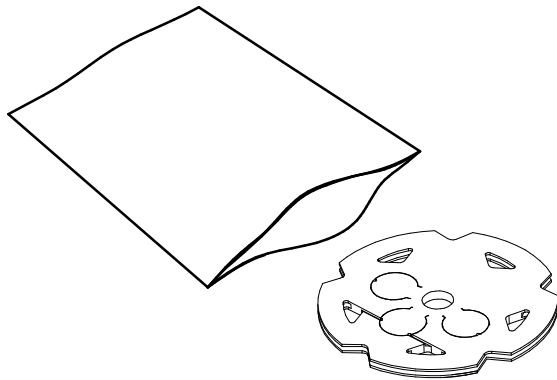
1



2



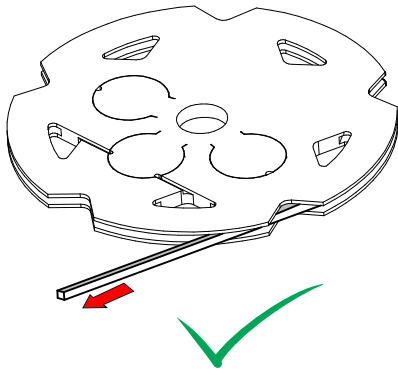
3



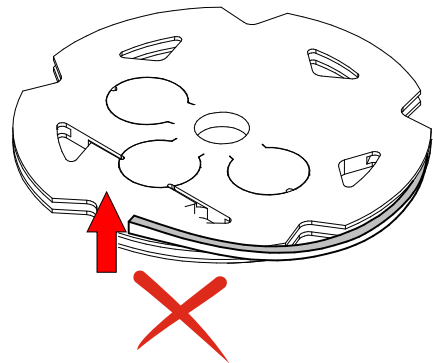
4



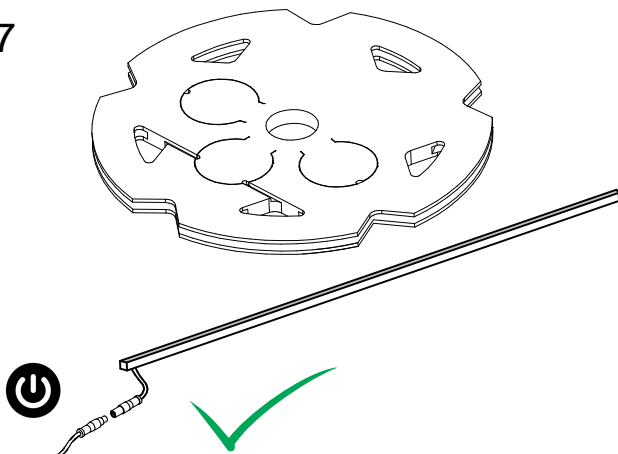
5



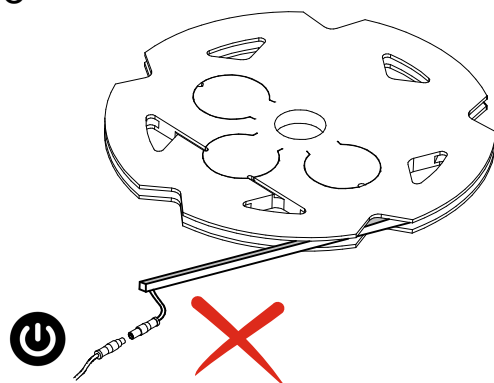
6

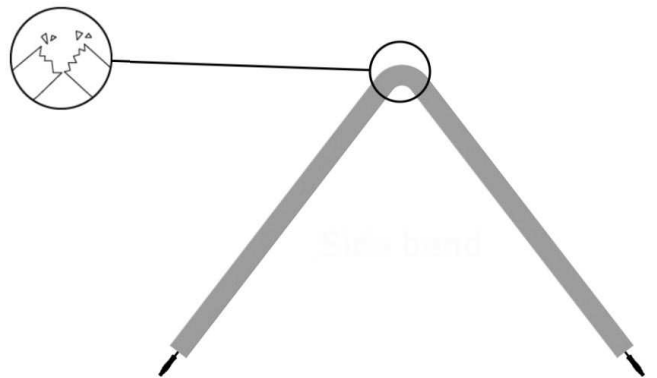
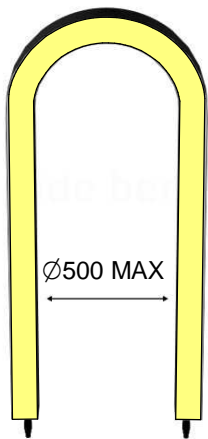
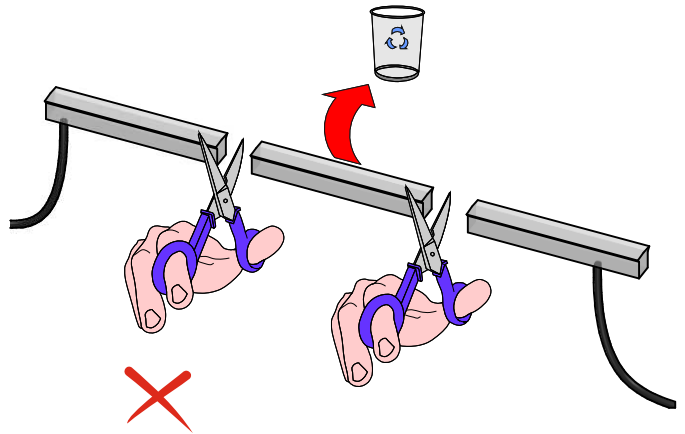
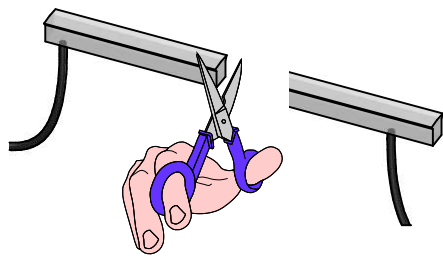
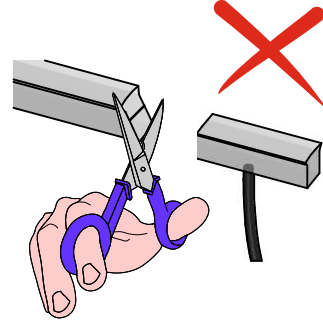
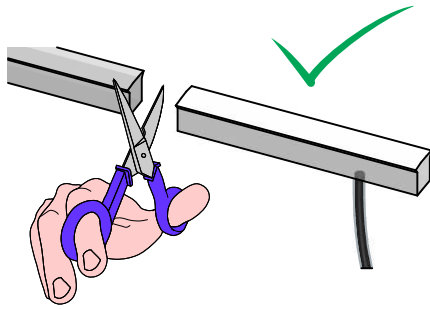


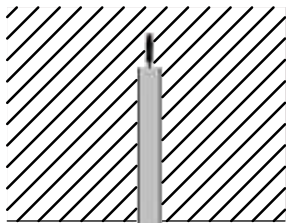
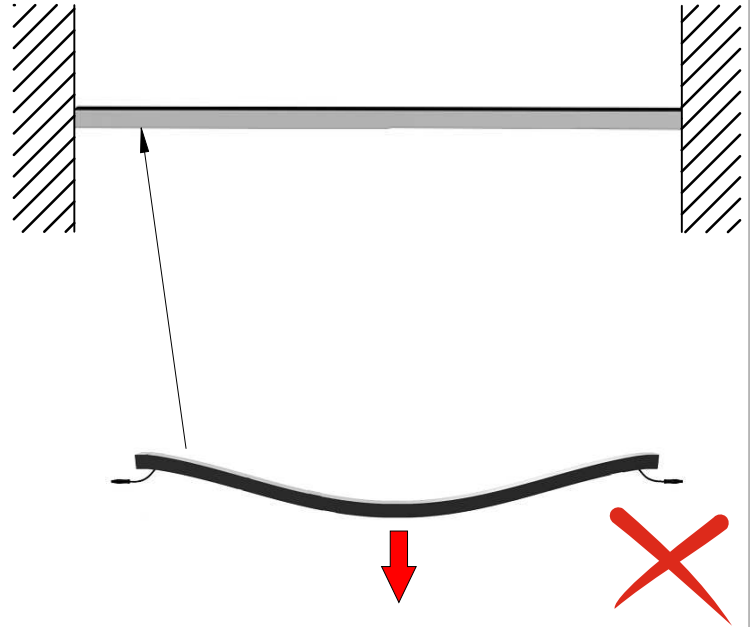
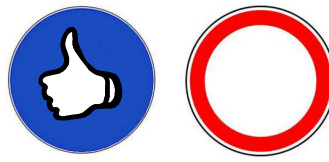
7



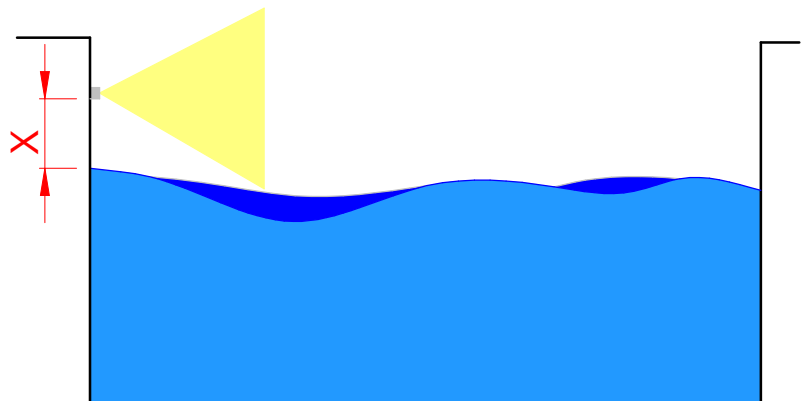
8

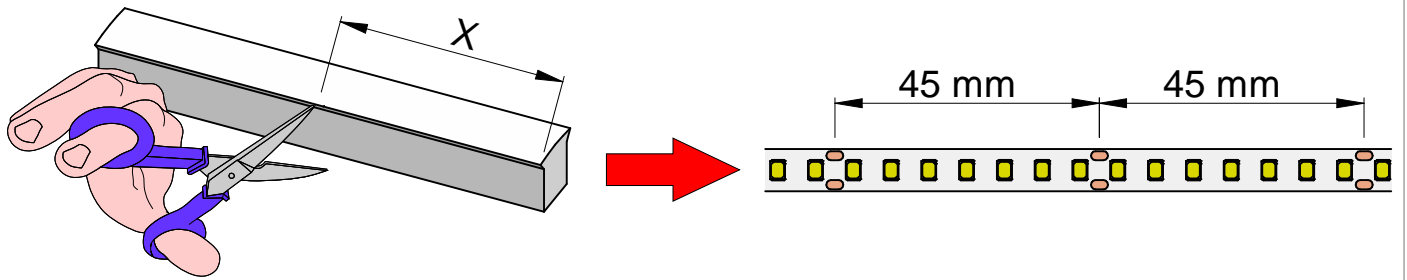
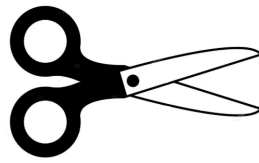






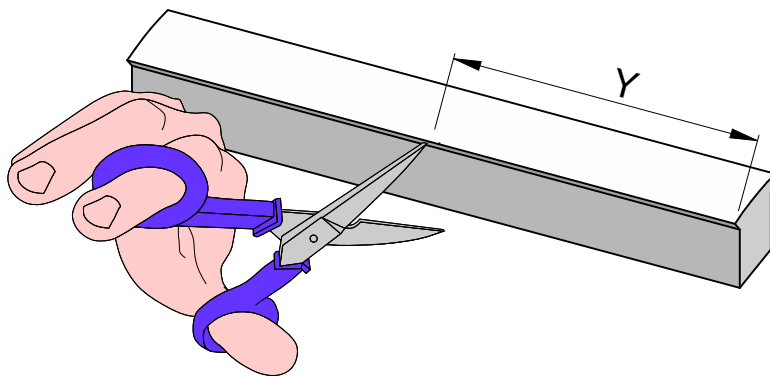
X > 500 mm



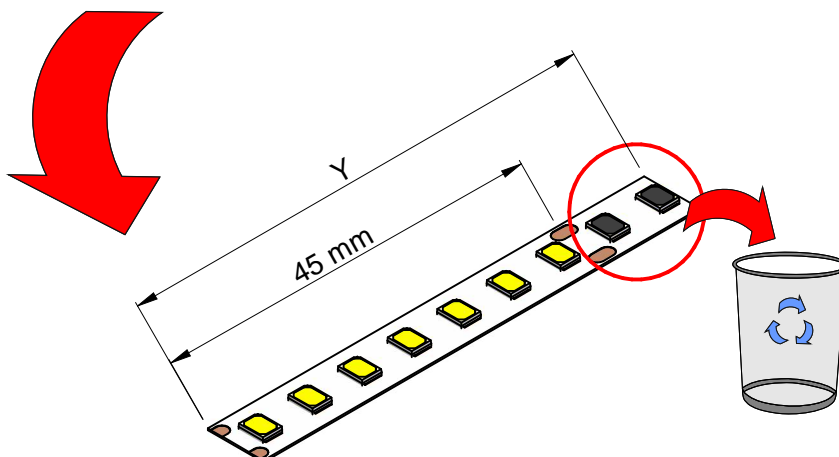


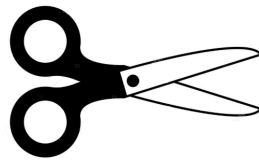
$X = 45\text{mm} \times (1 / 2 / 3 / ..)$ ✓

$X < 45\text{ mm}$ ✗

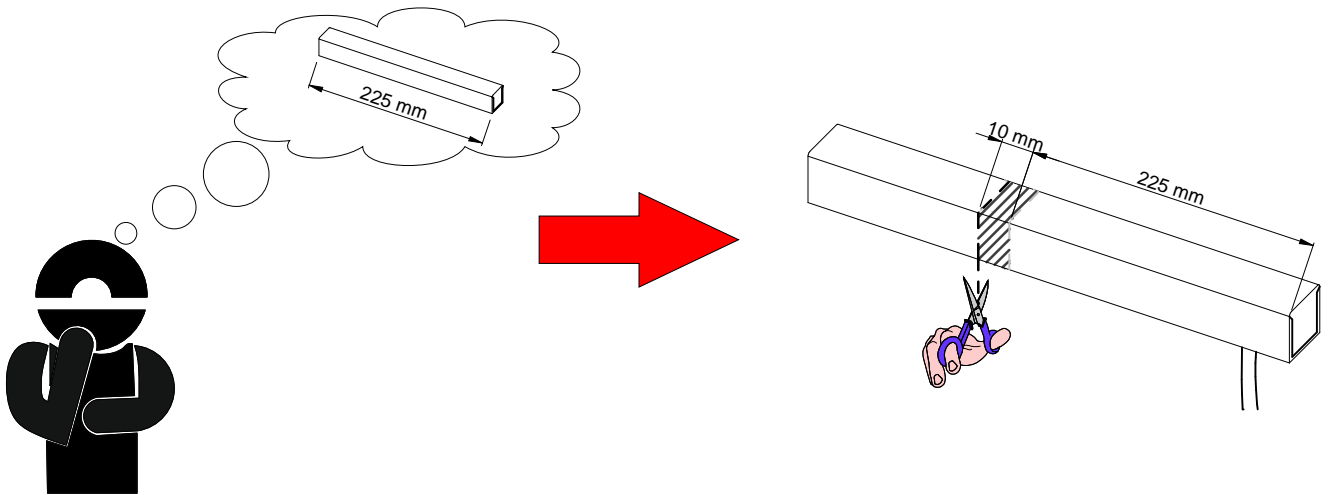


$Y > 45\text{ mm}$

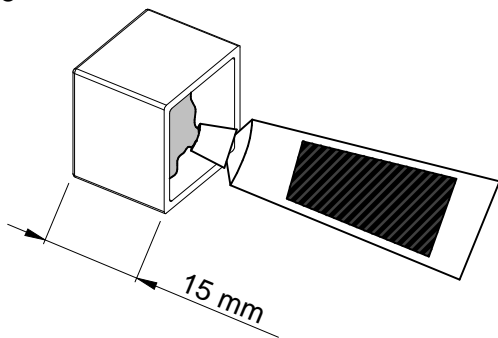




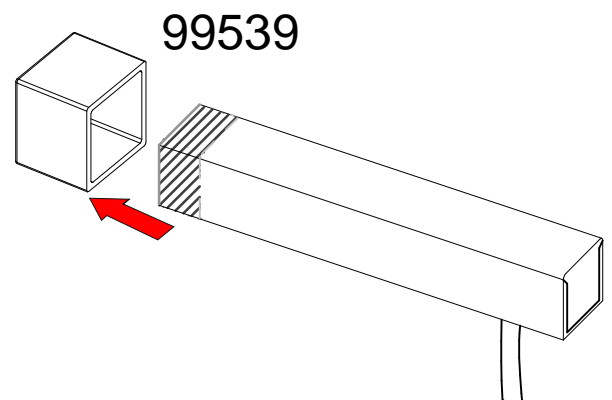
5



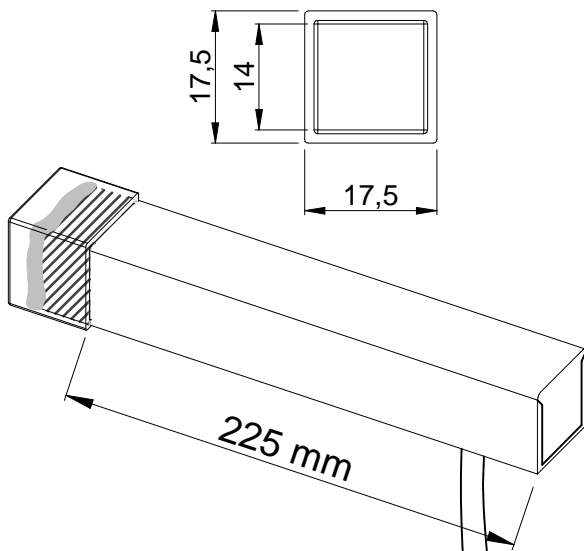
6



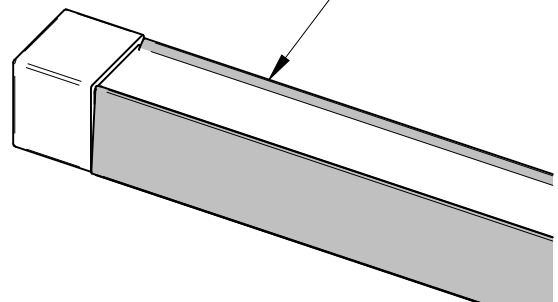
7



8



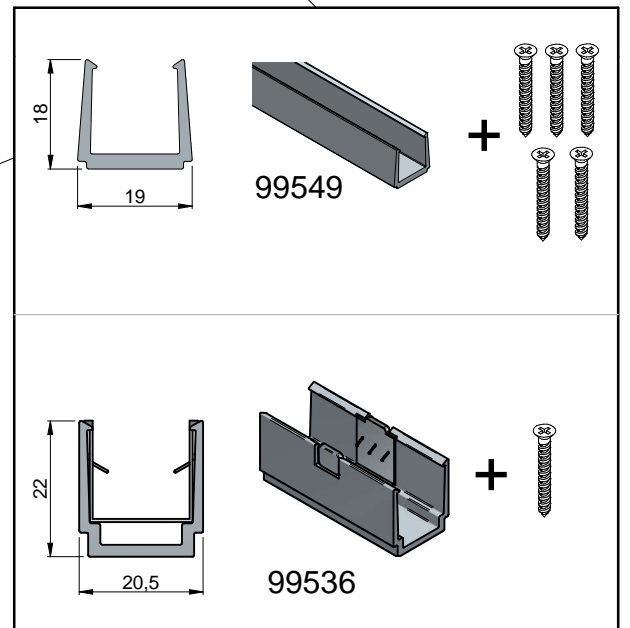
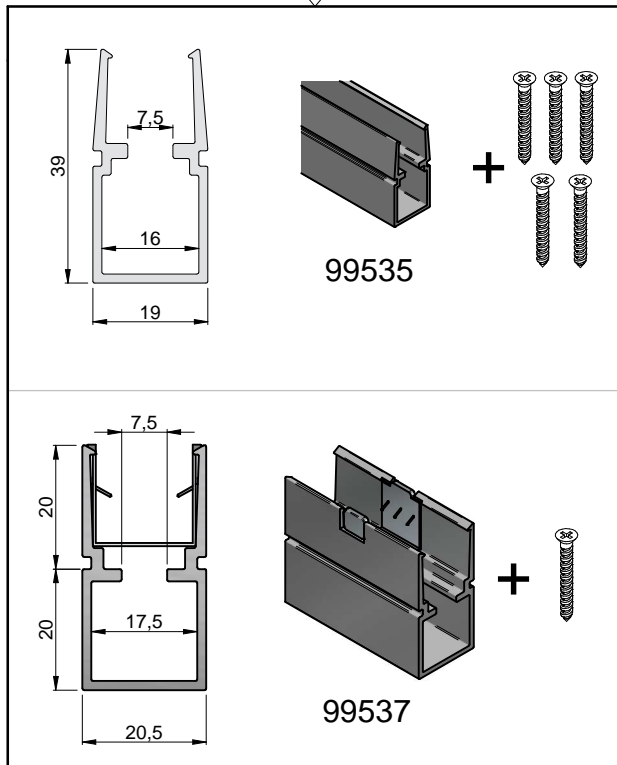
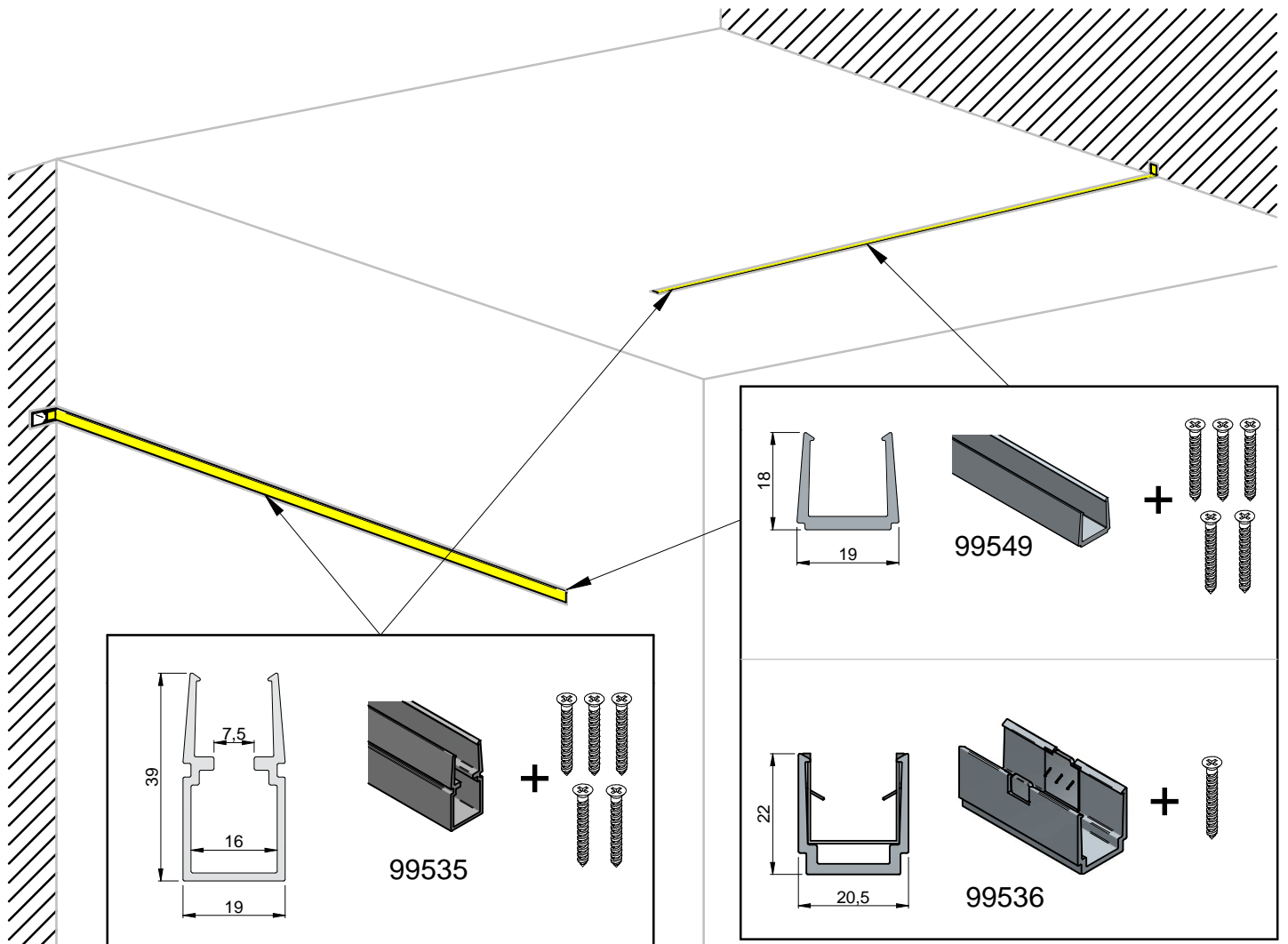
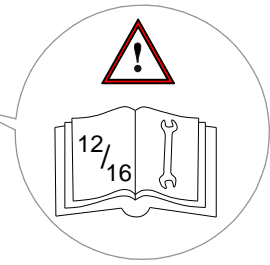
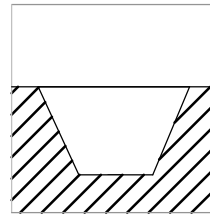
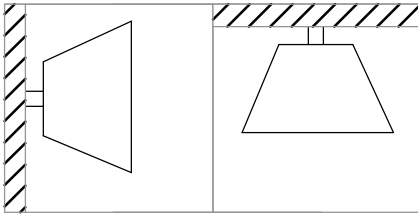
99535
99549



041000045000



Rubber 3D



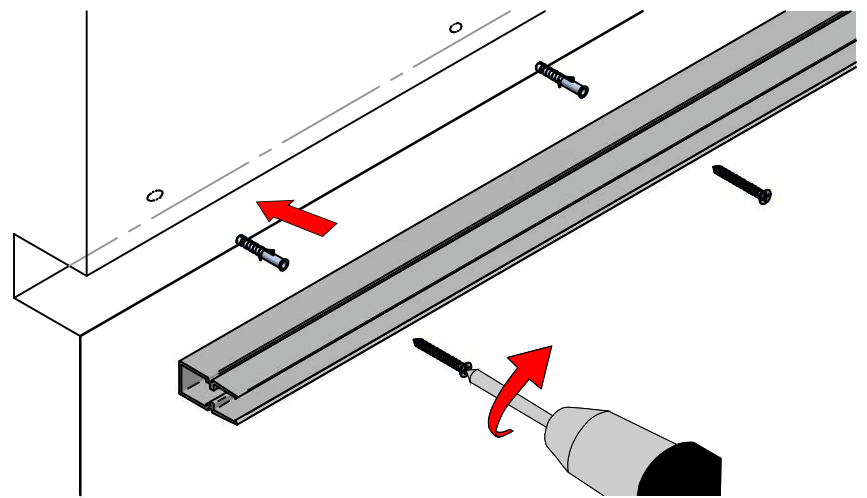
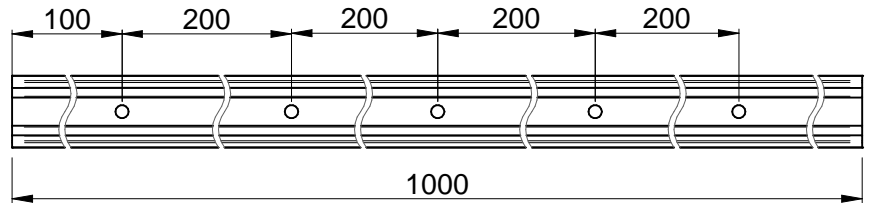
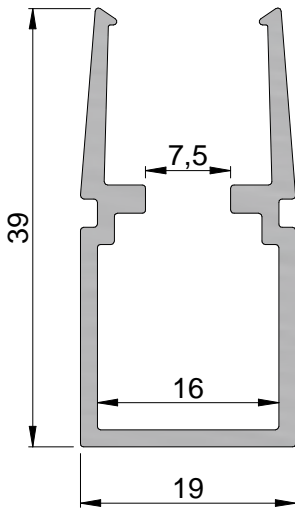
041000045000

Rubber 3D

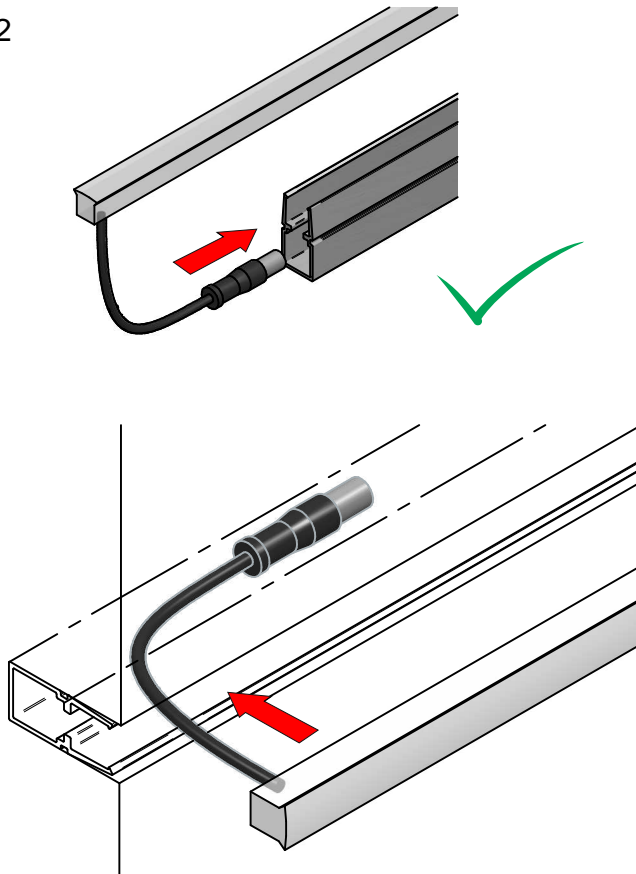


1

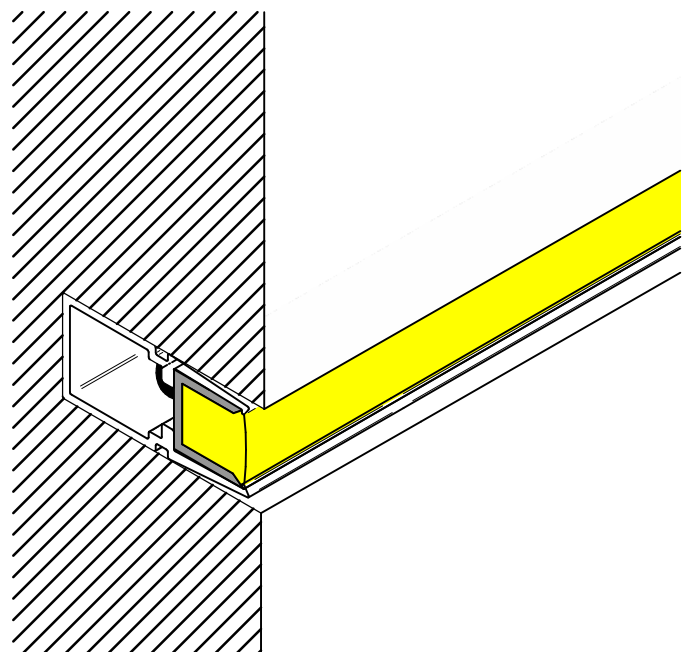
99535



2



3

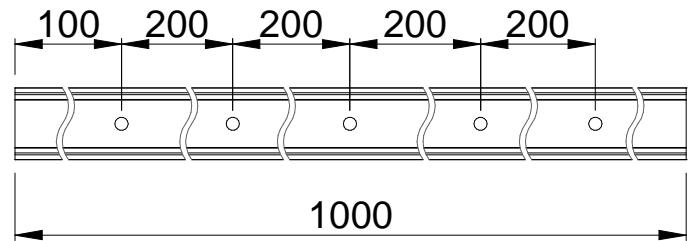


041000045000

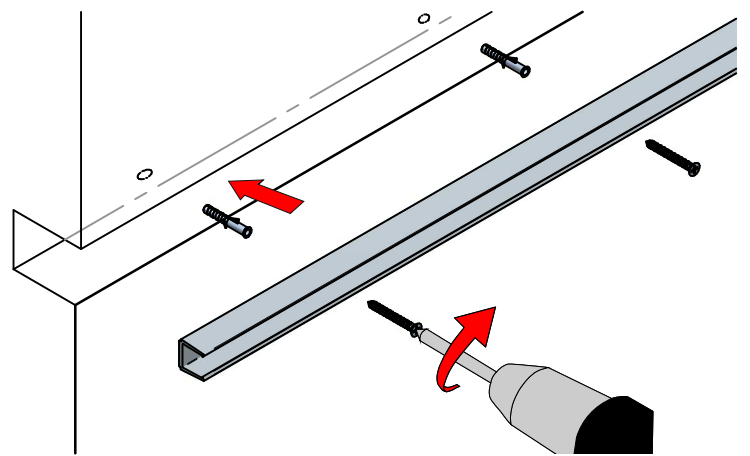
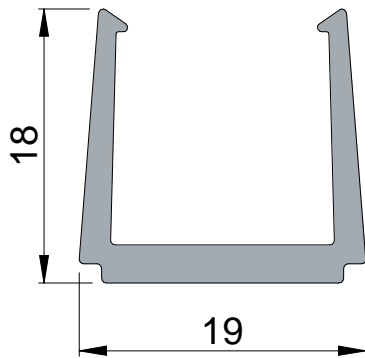
Rubber 3D



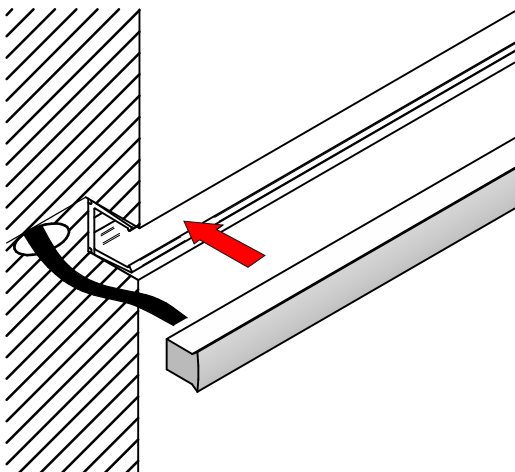
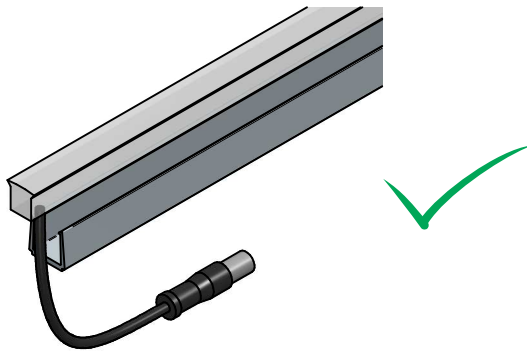
1



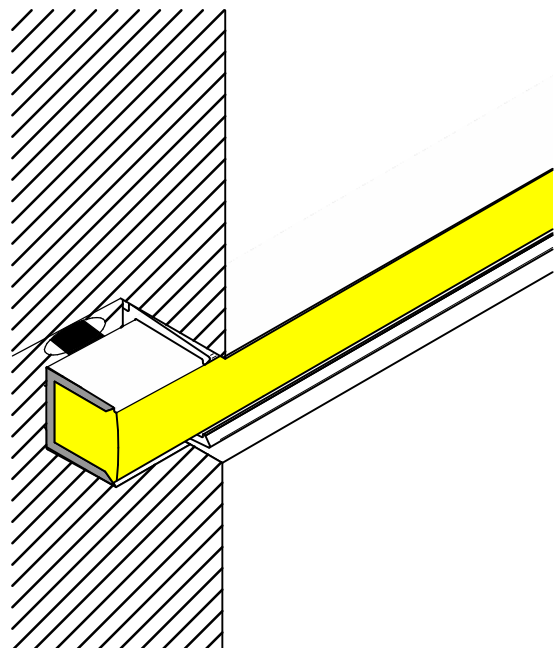
99549



2



3

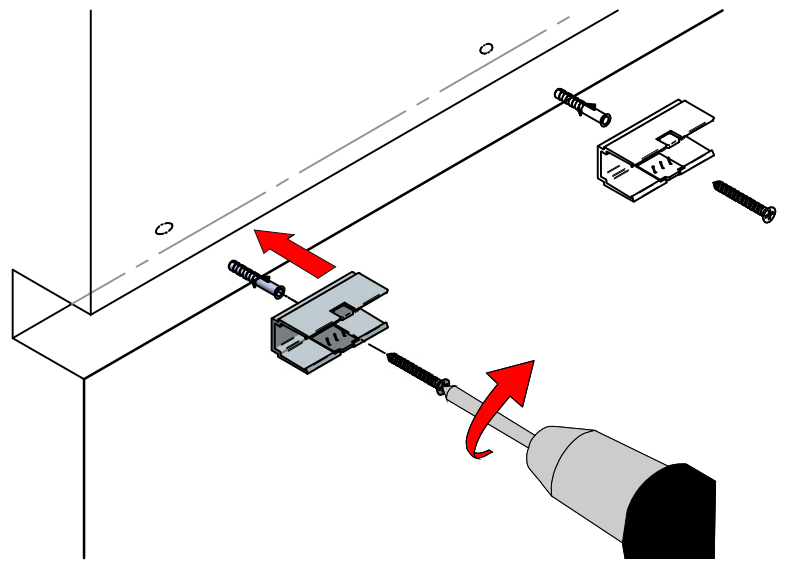
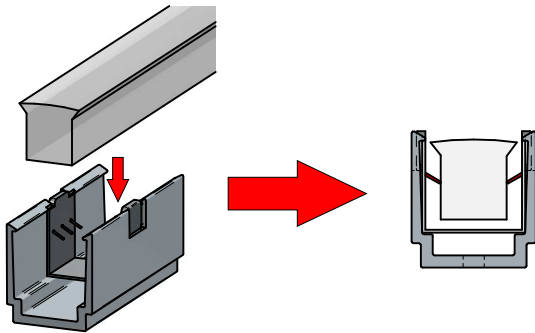
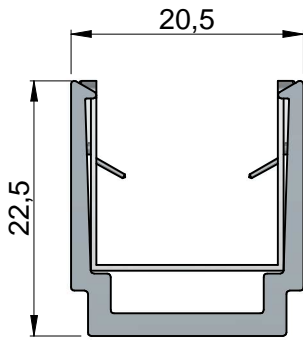


041000045000

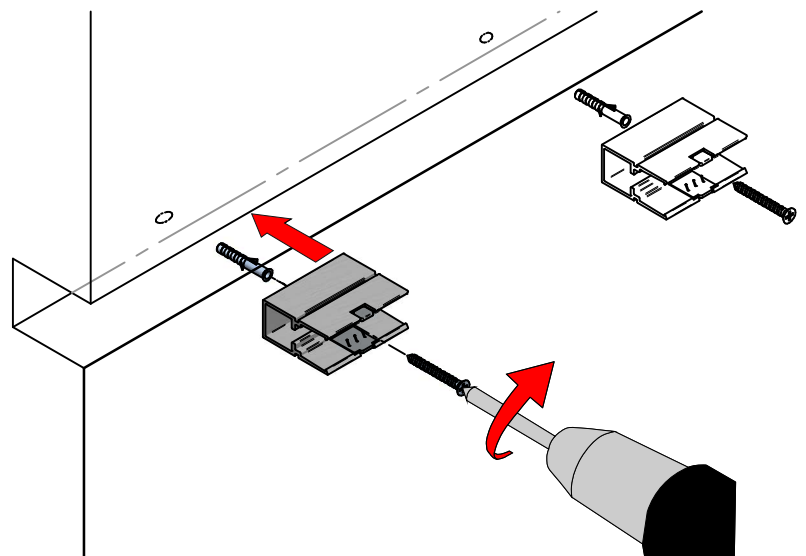
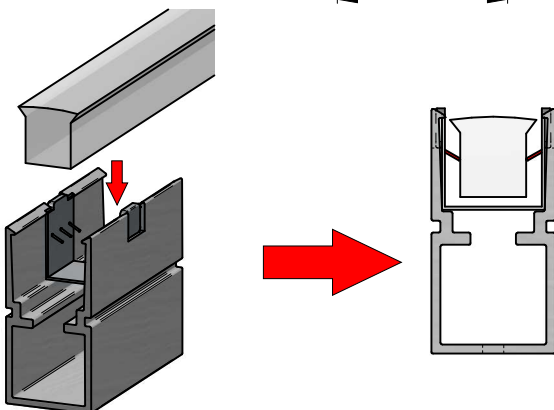
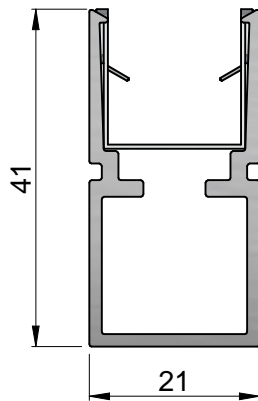
Rubber 3D



99536

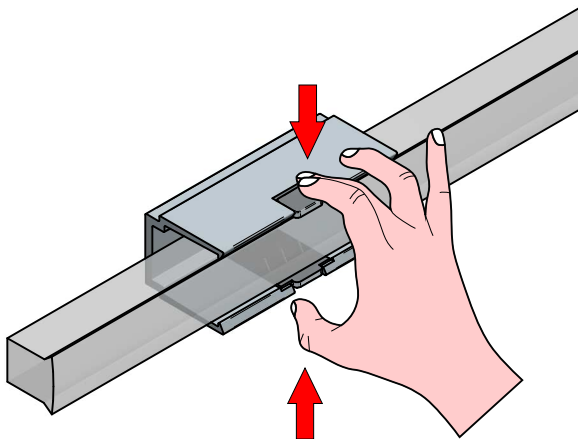
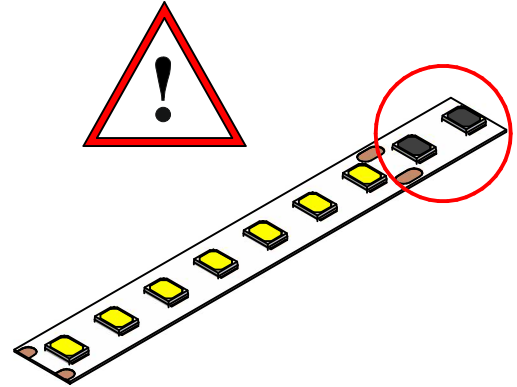
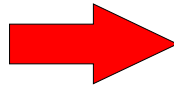
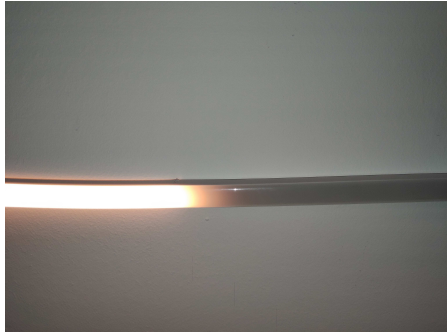


99537

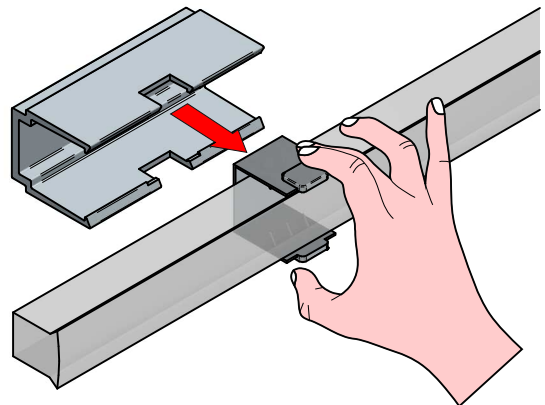




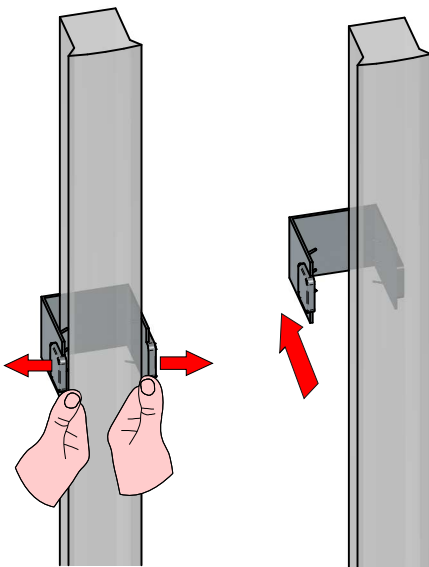
1



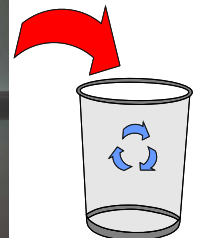
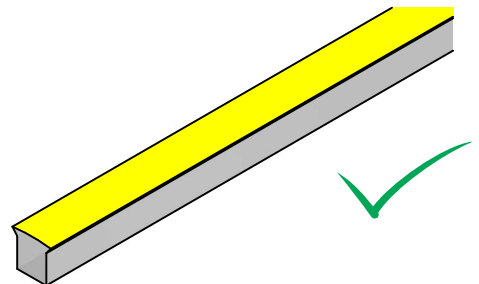
3

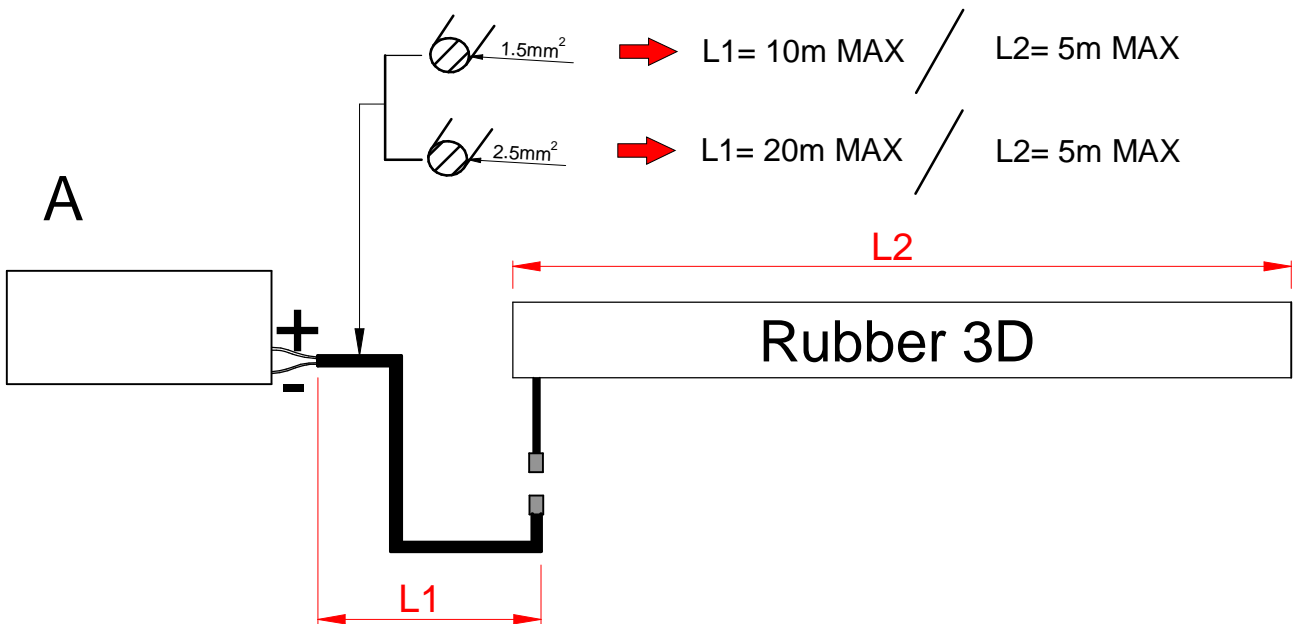
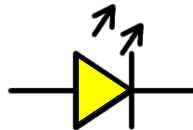
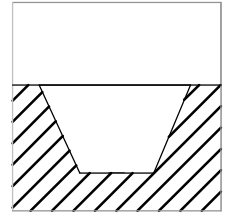
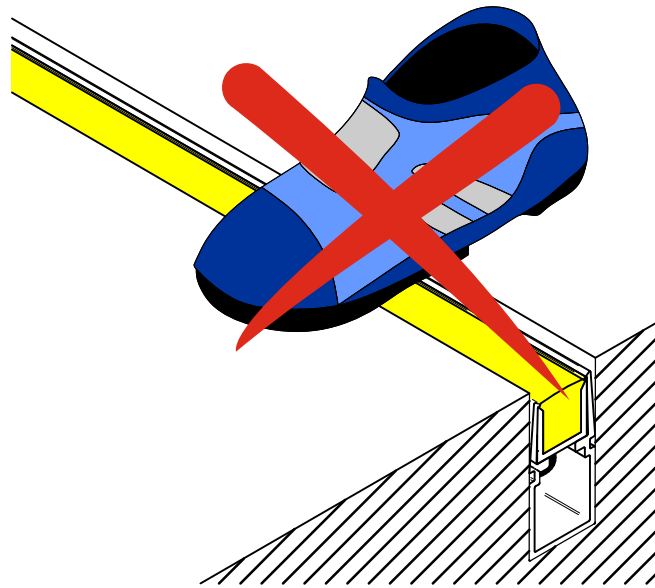


4

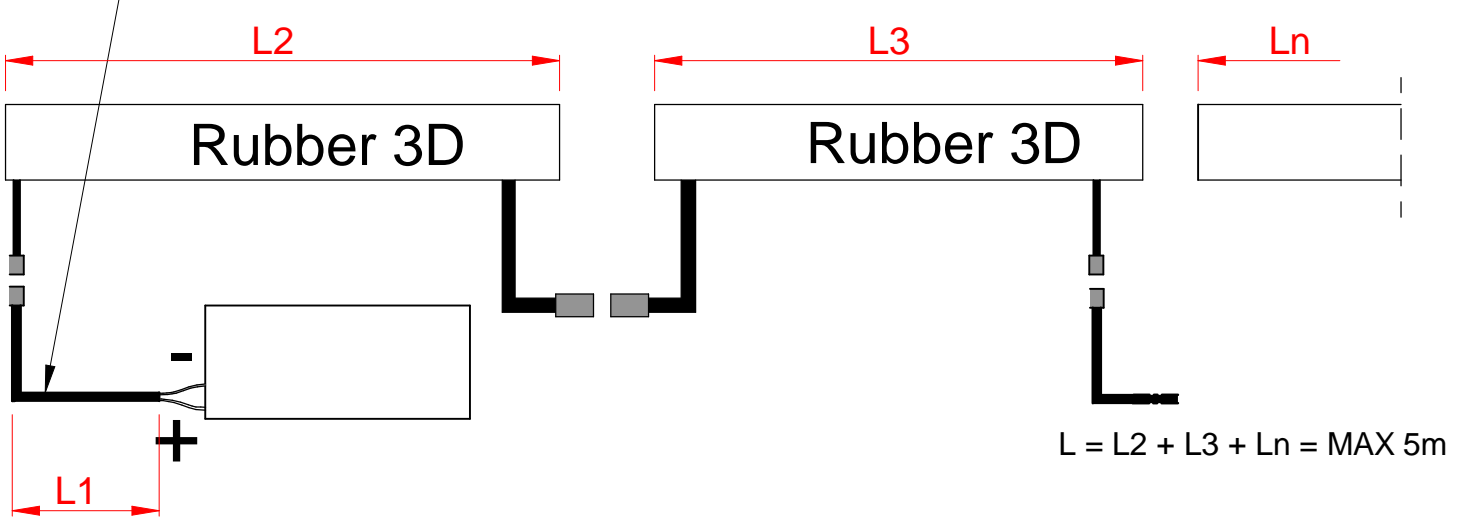
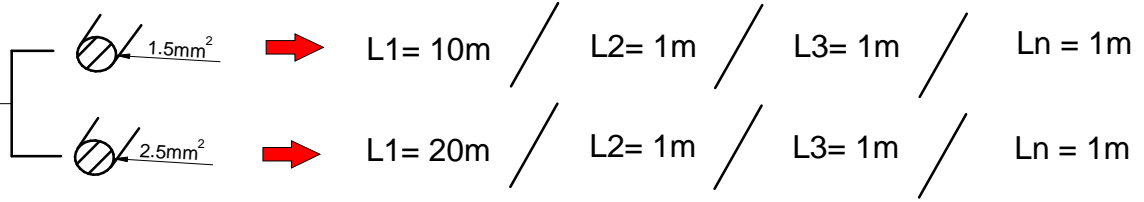


5

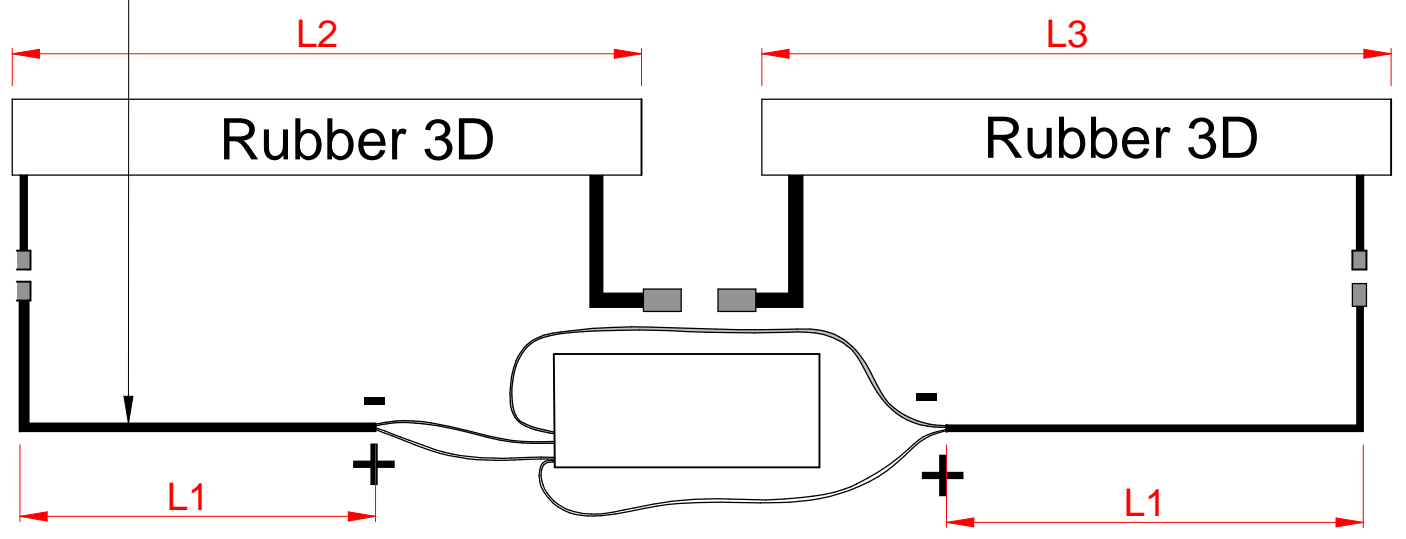
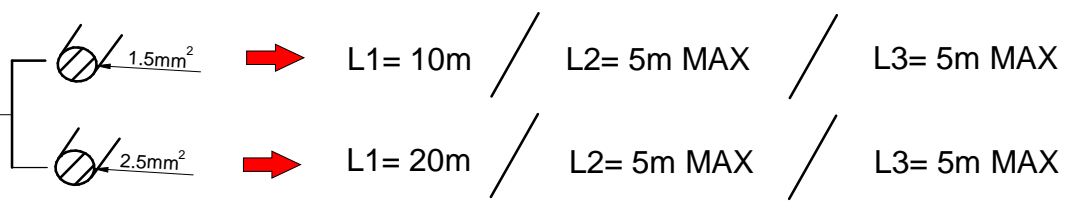




B

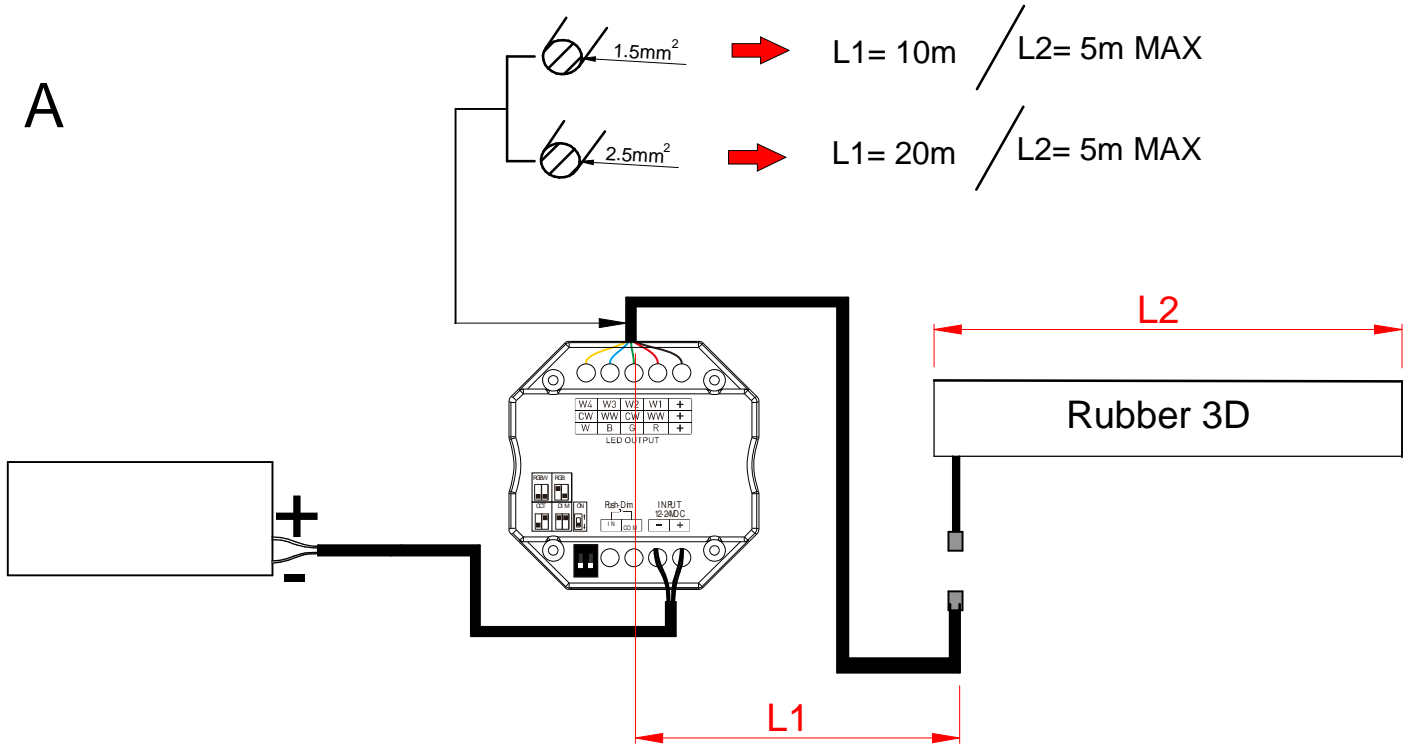


C

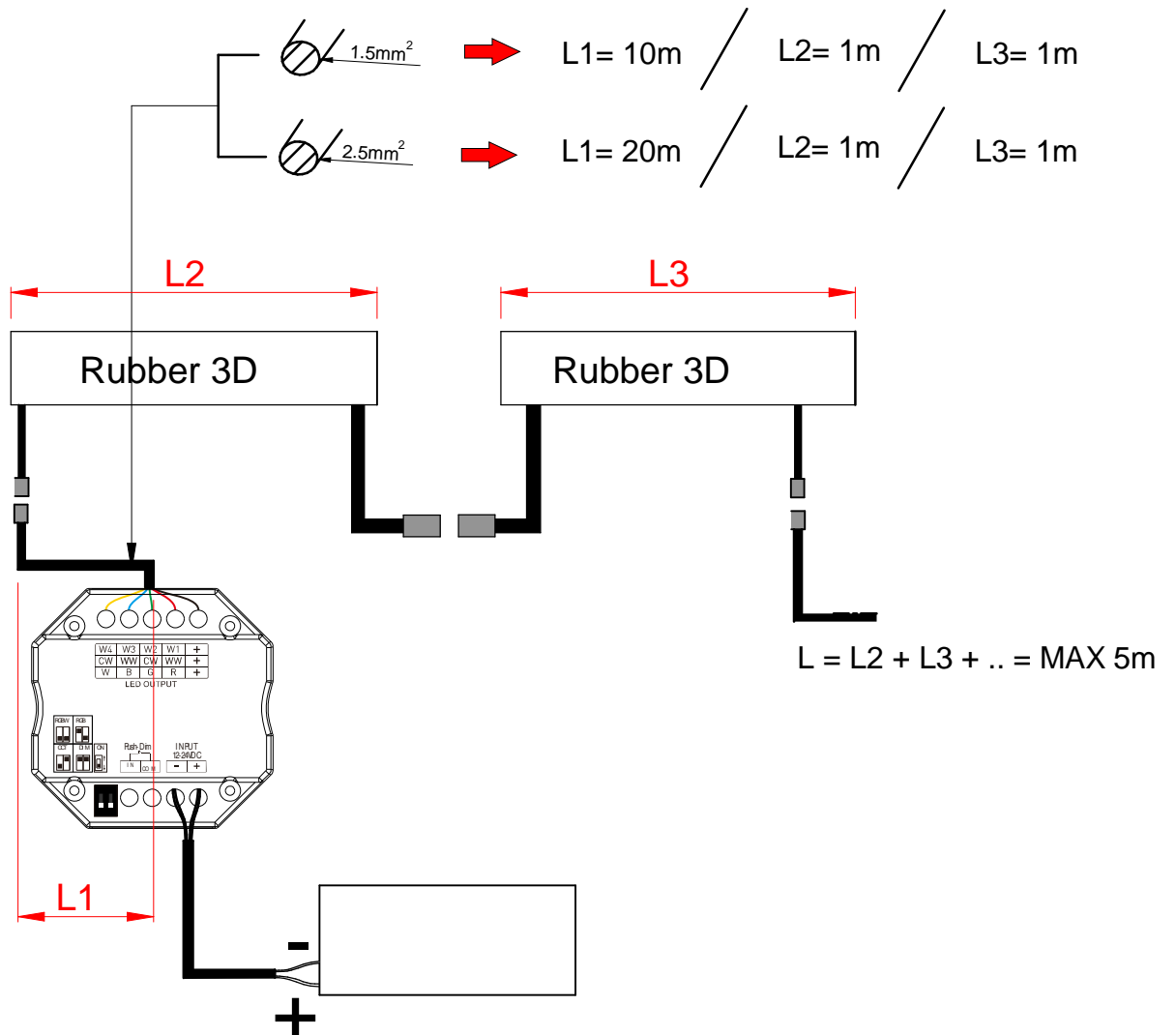


Rubber 3D

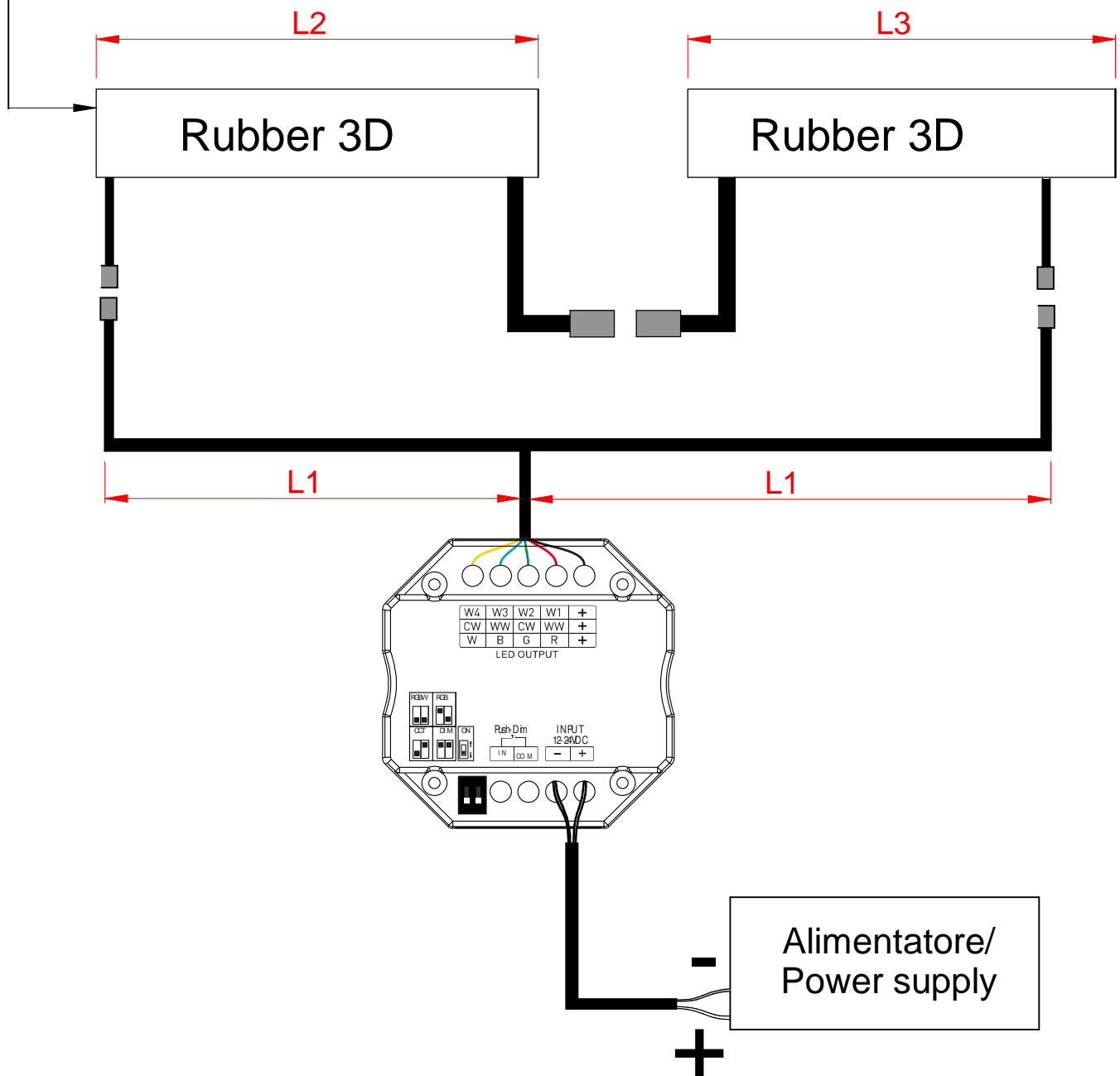
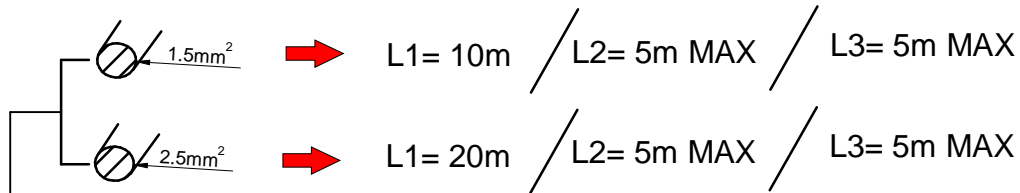
A



B

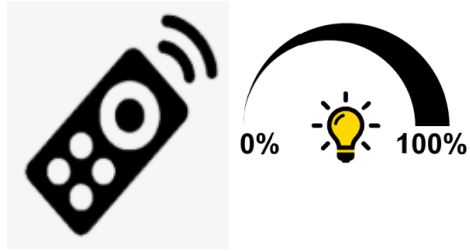


C



041000045000

Rubber 3D



99540



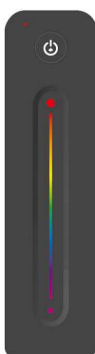
99694 - 99696



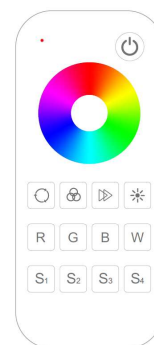
99697



99700



99699



99702