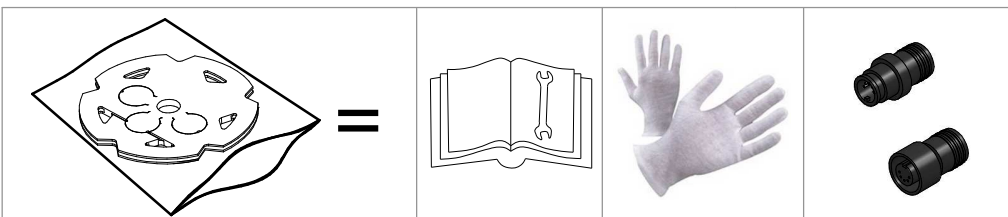
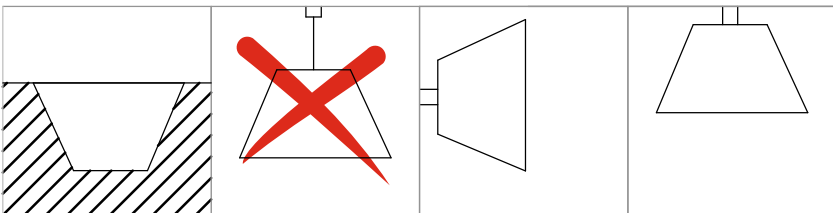
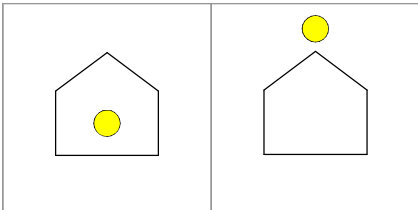


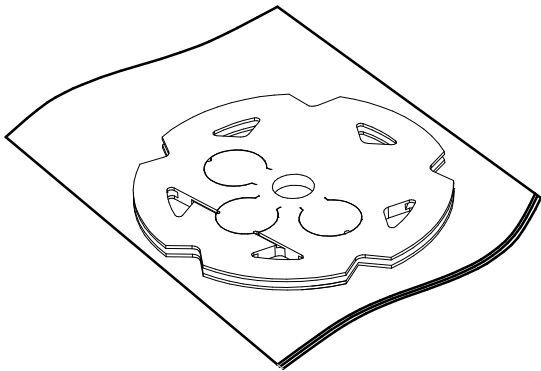
041000043000

Rubber SIDE BEND

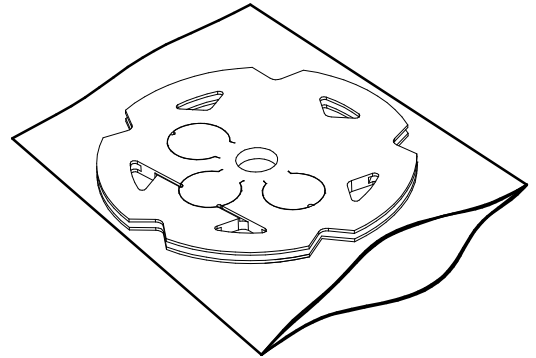


Rubber SIDE BEND

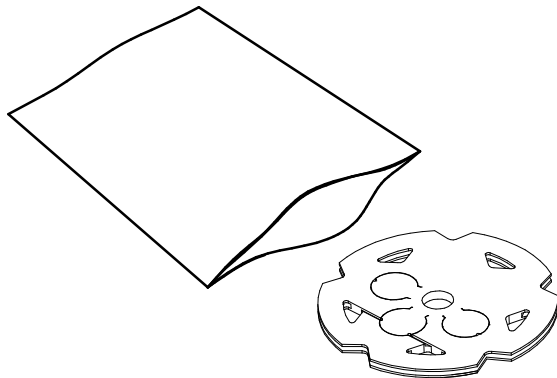
1



2



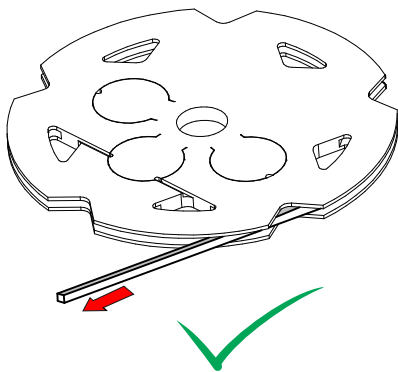
3



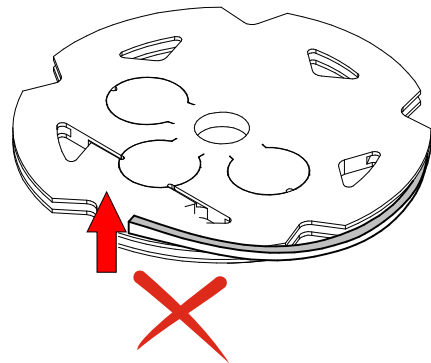
4



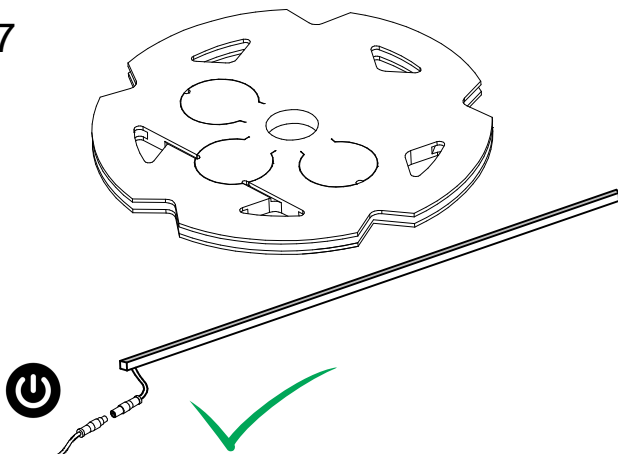
5



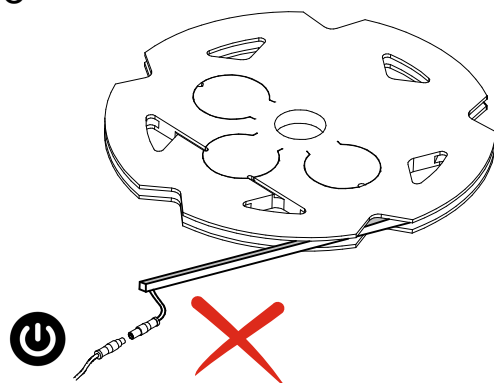
6

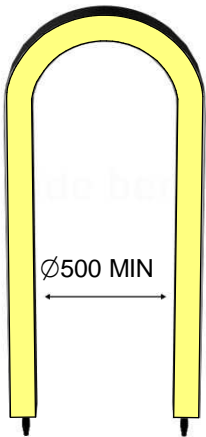
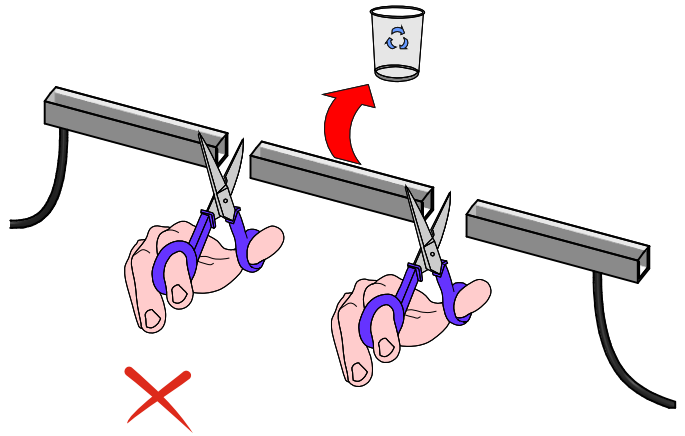
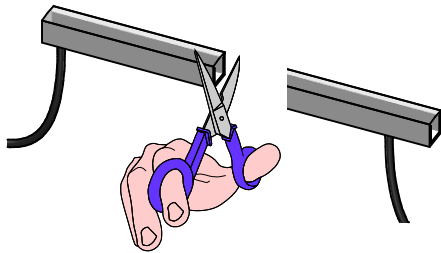
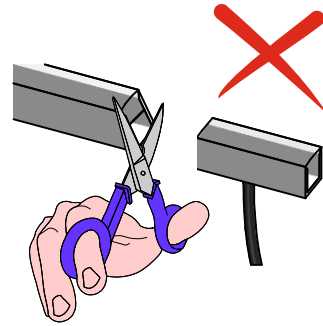
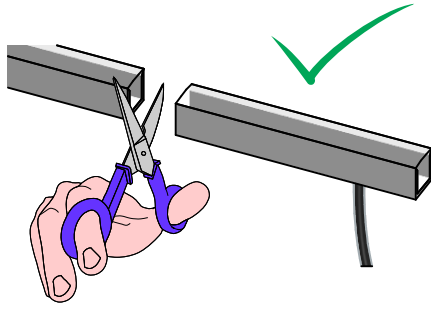
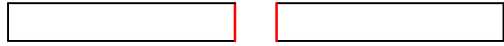


7

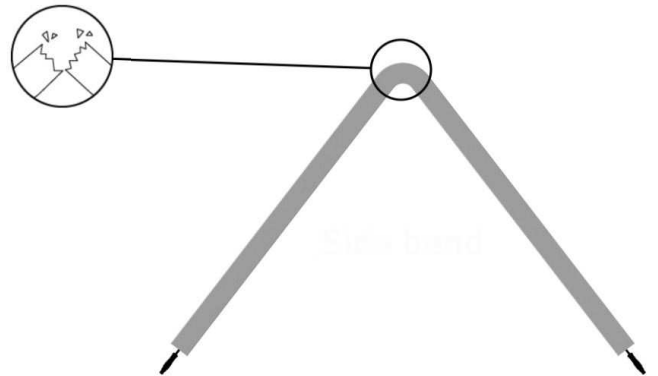


8



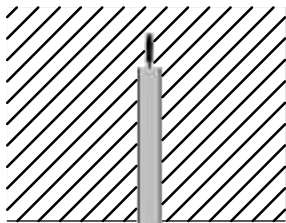
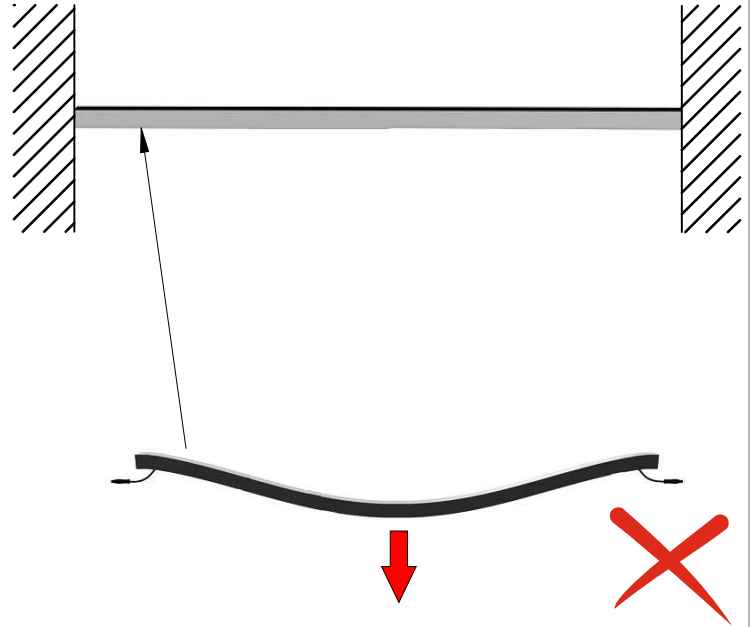


Ø500 MIN

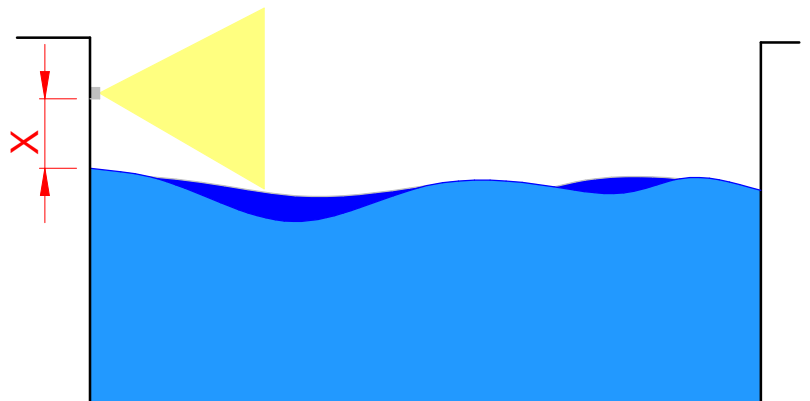


041000043000

Rubber SIDE BEND

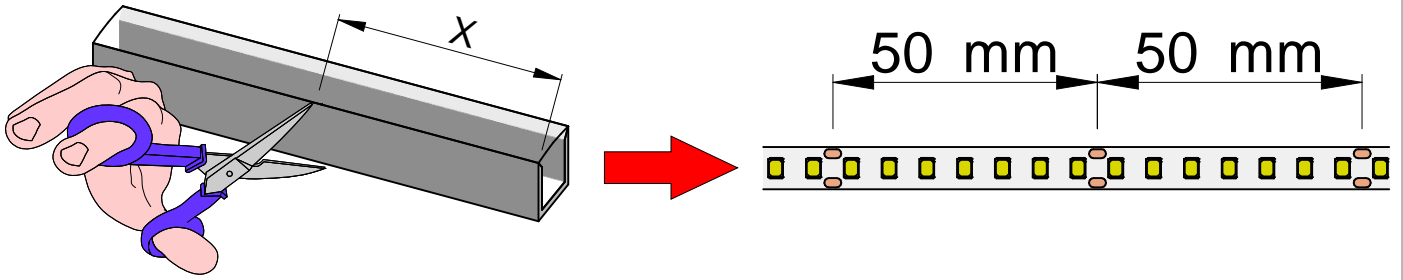
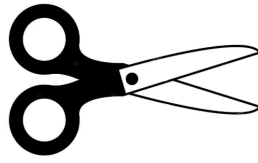


$X > 500 \text{ mm}$



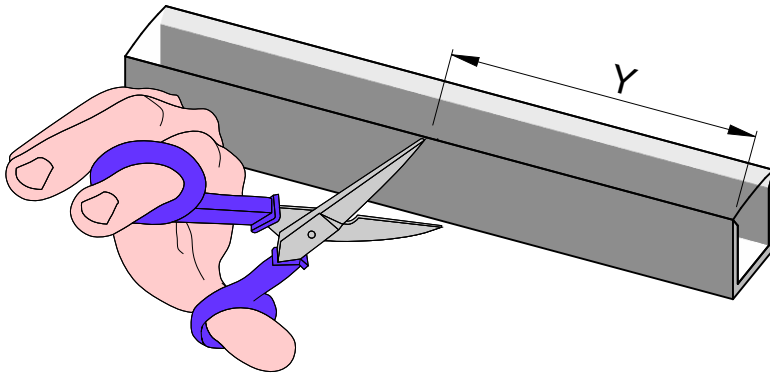
041000043000

Rubber SIDE BEND

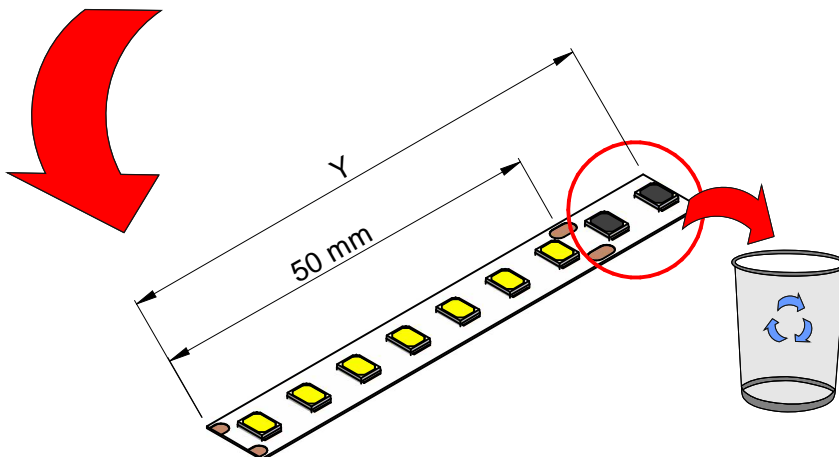


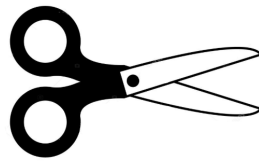
$X = 50\text{mm} \times (1 / 2 / 3 / ..)$ ✓

$X < 50\text{ mm}$ ✗

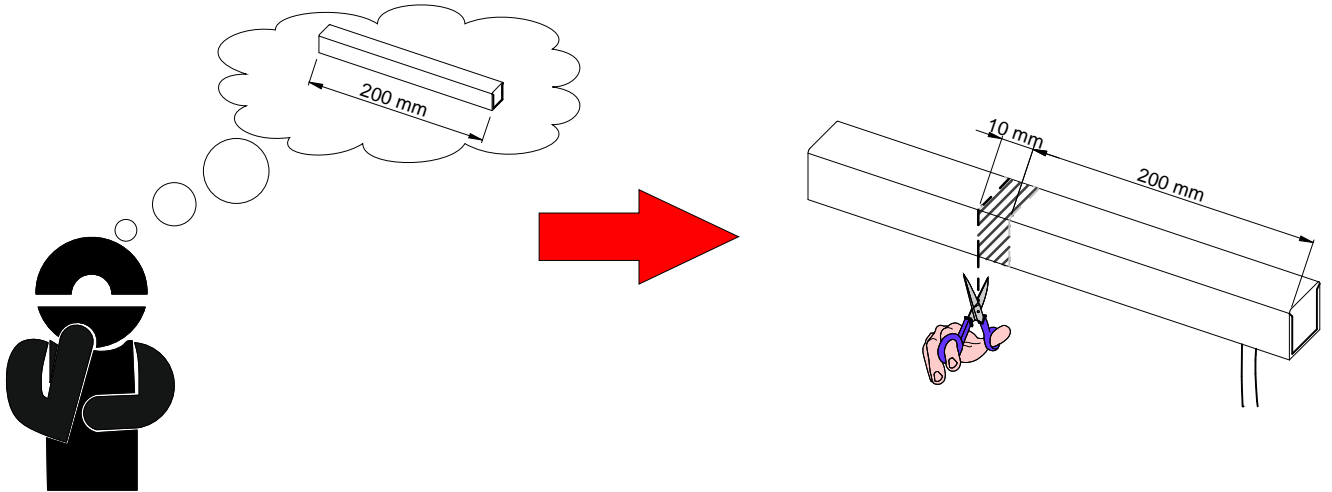


$Y > 50\text{ mm}$

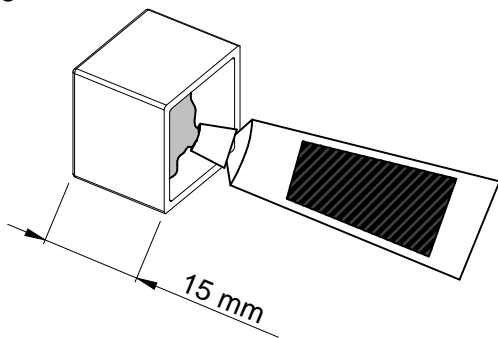




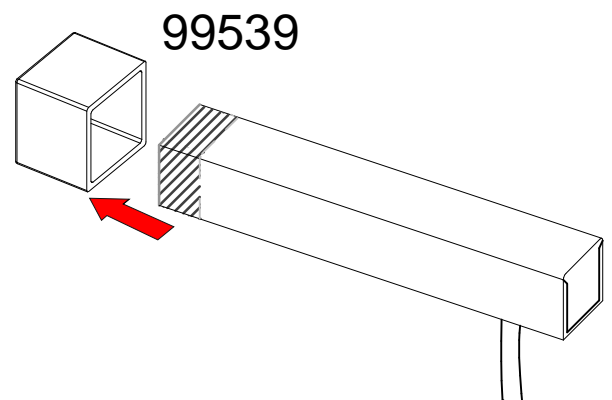
5



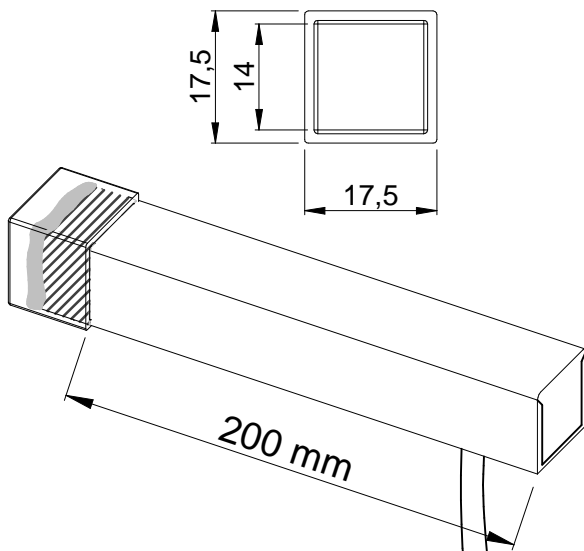
6



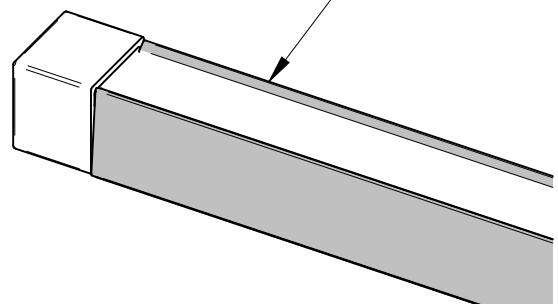
7



8



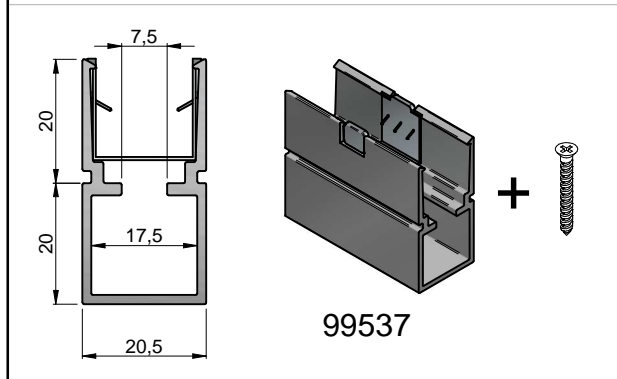
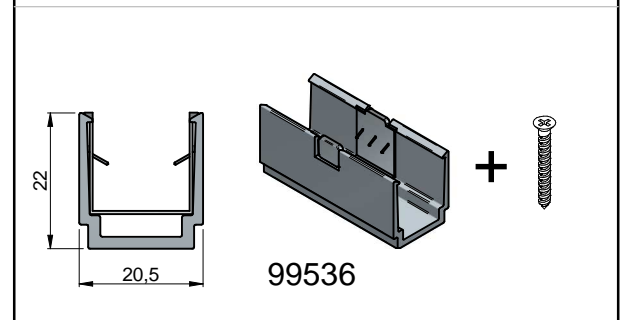
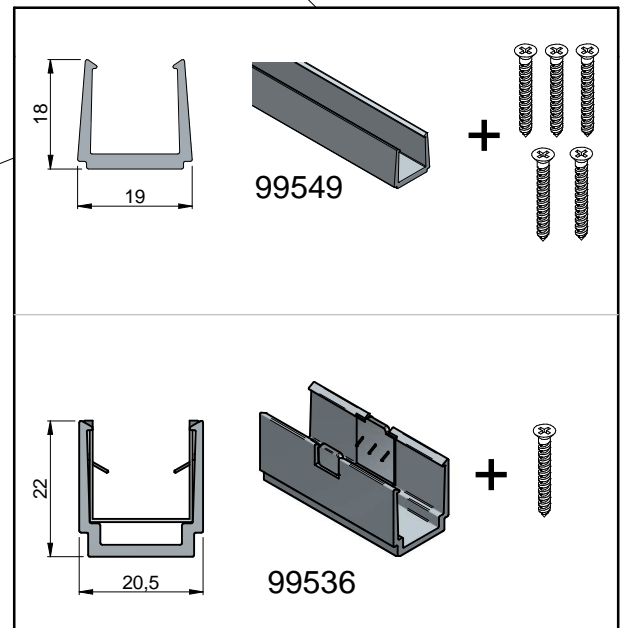
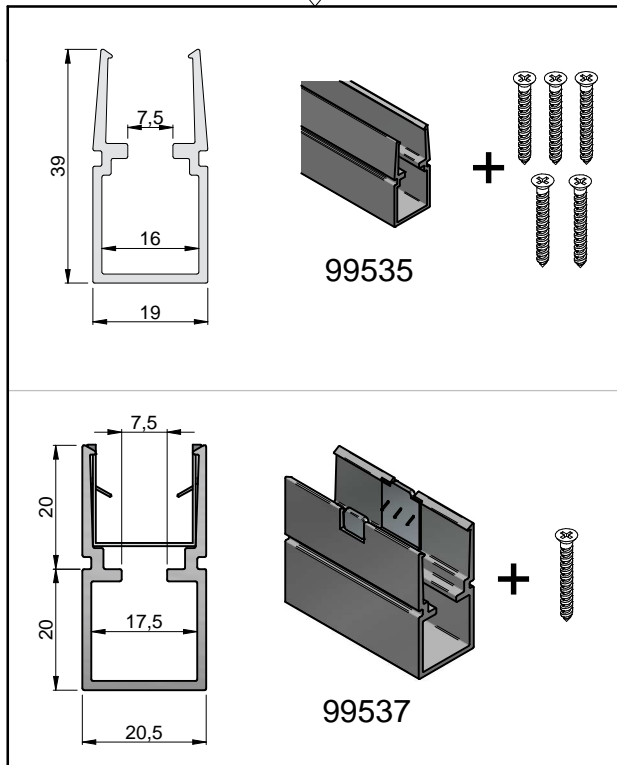
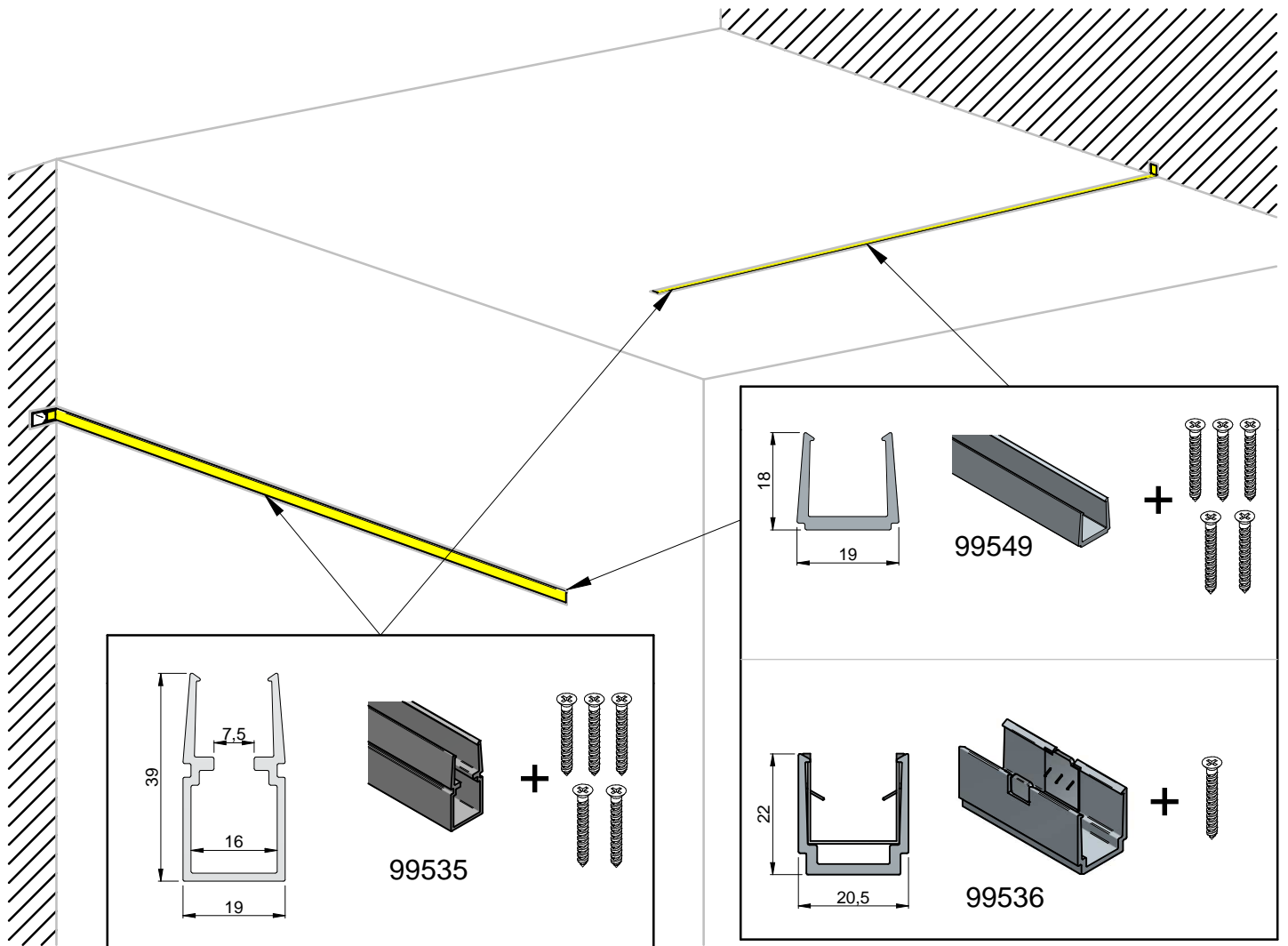
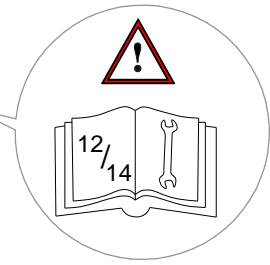
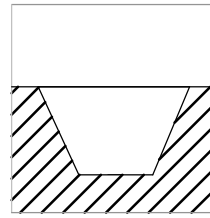
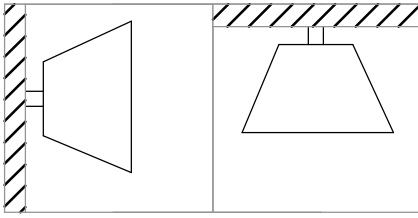
99535
99549



041000043000



Rubber SIDE BEND



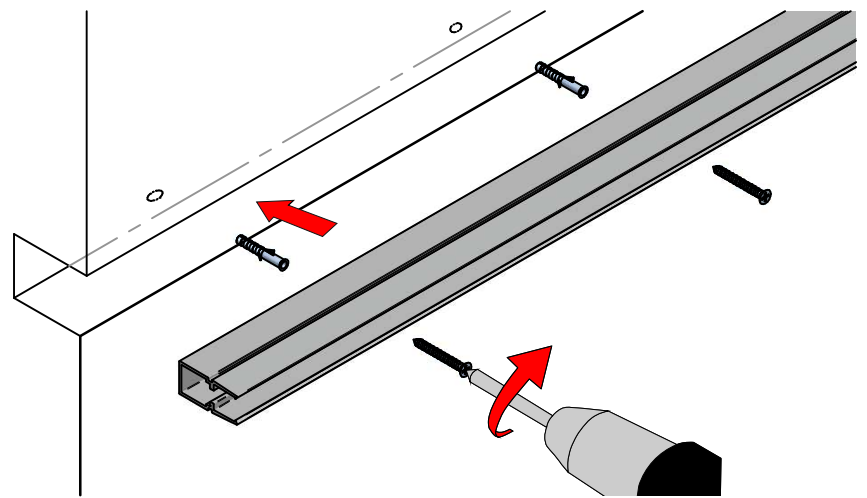
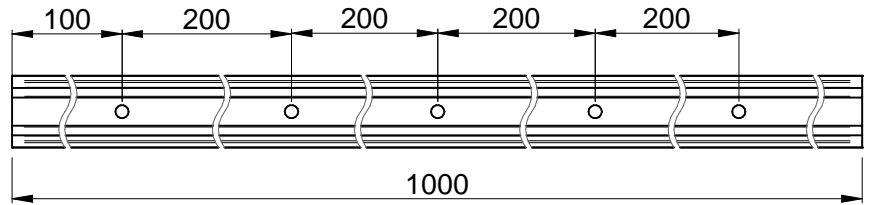
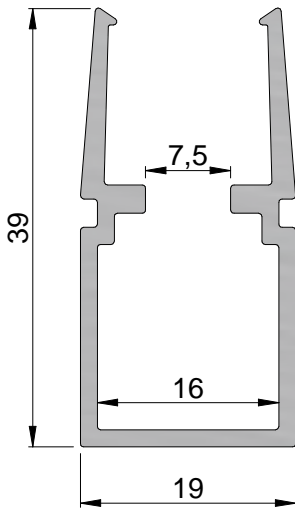
041000043000

Rubber SIDE BEND

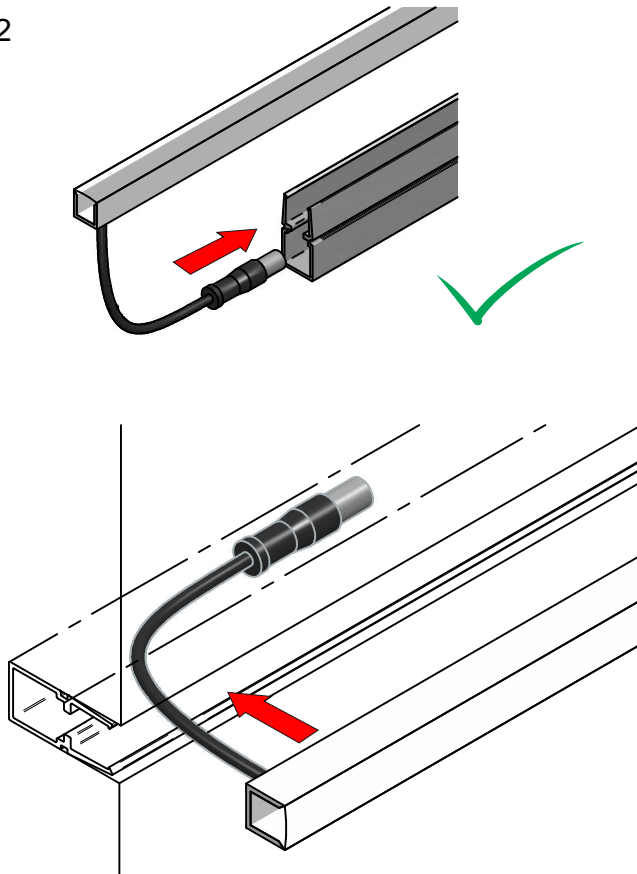


1

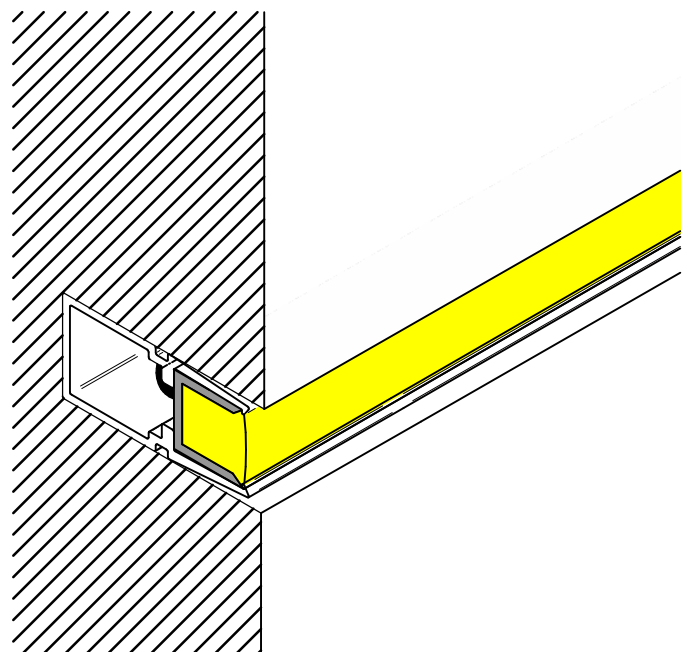
99535



2



3

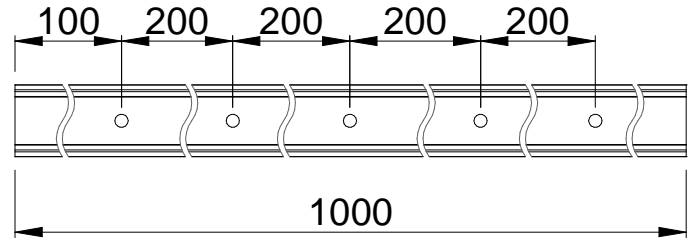


041000043000

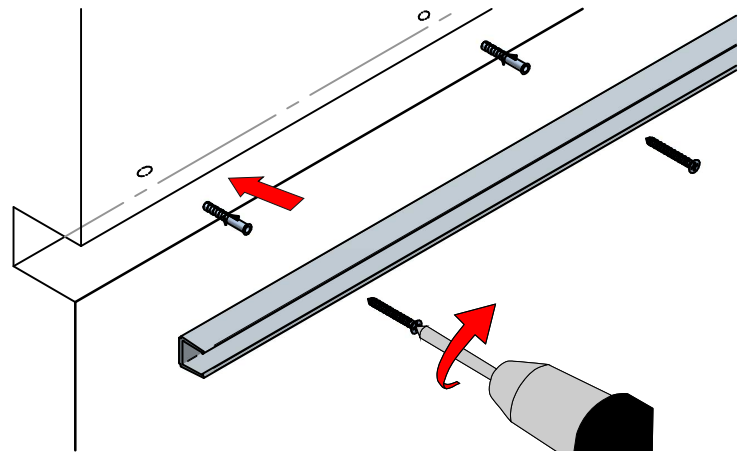
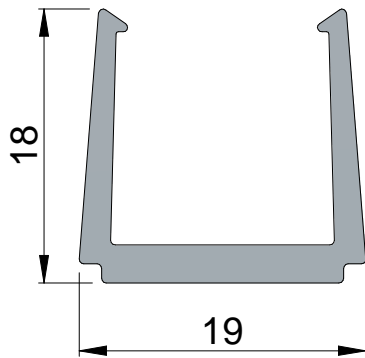
Rubber SIDE BEND



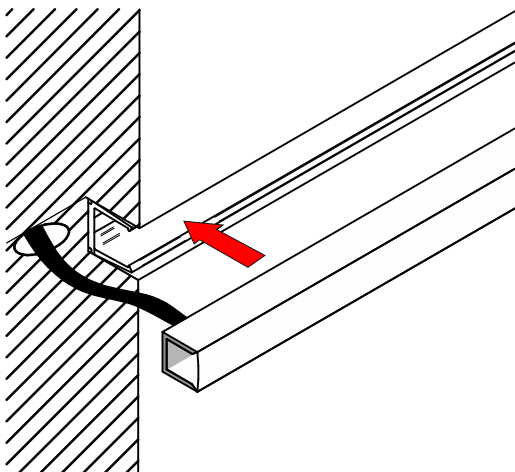
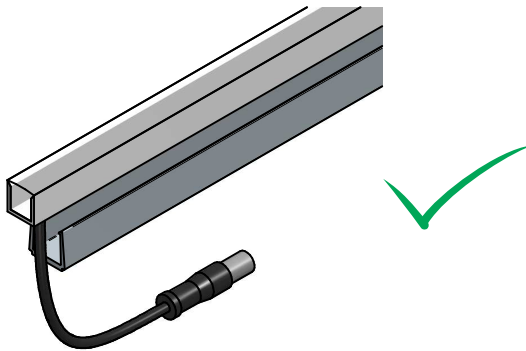
1



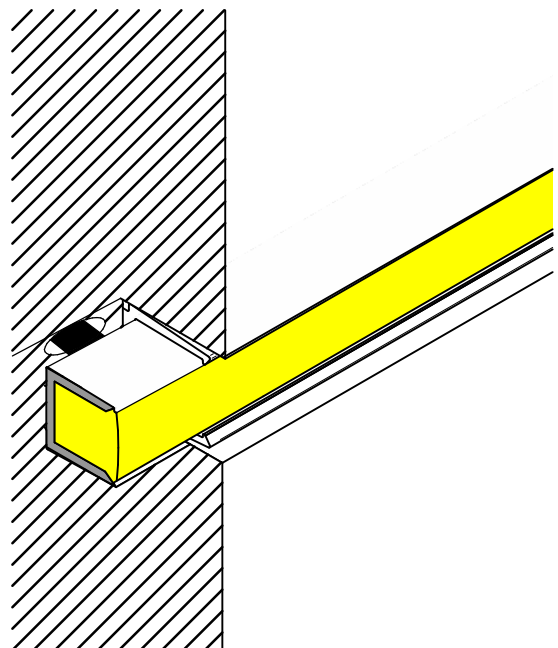
99549



2



3

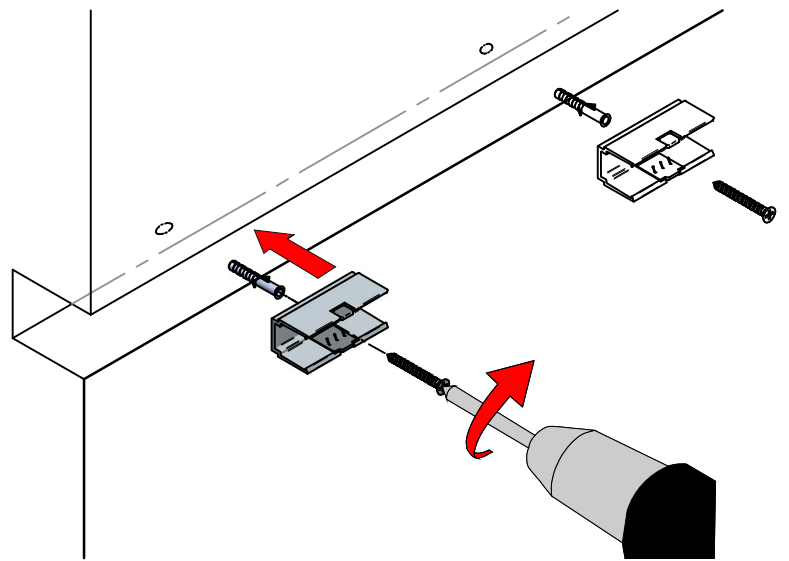
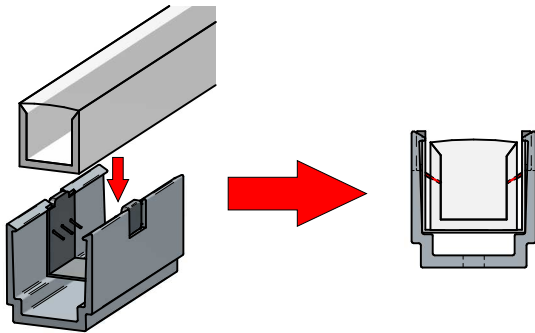
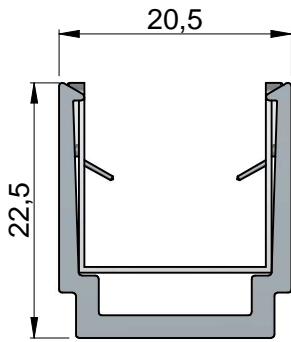


041000043000

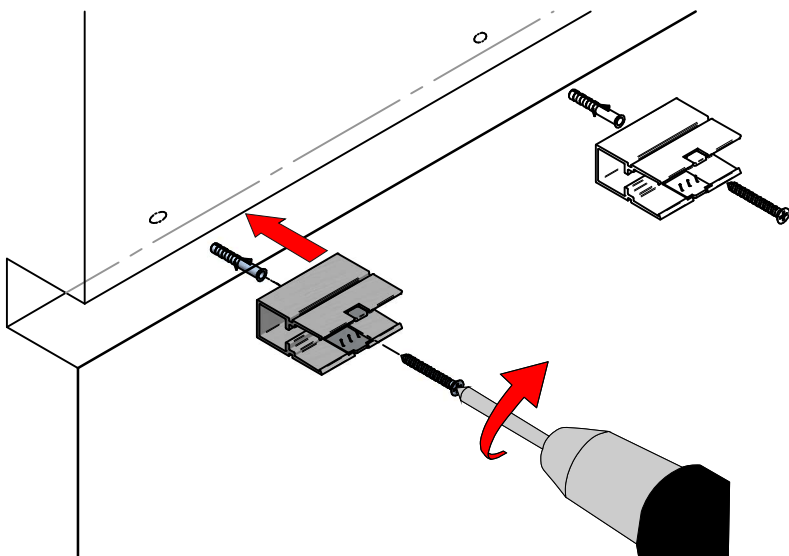
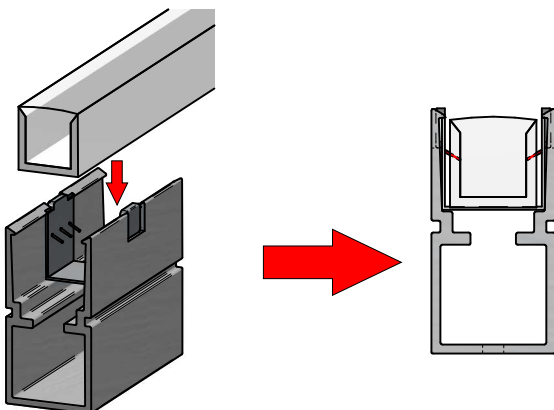
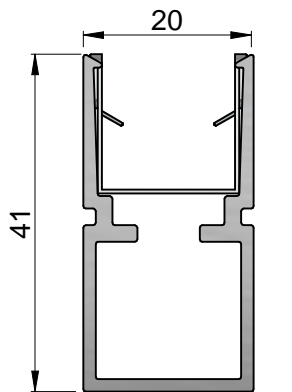
Rubber SIDE BEND



99536



99537

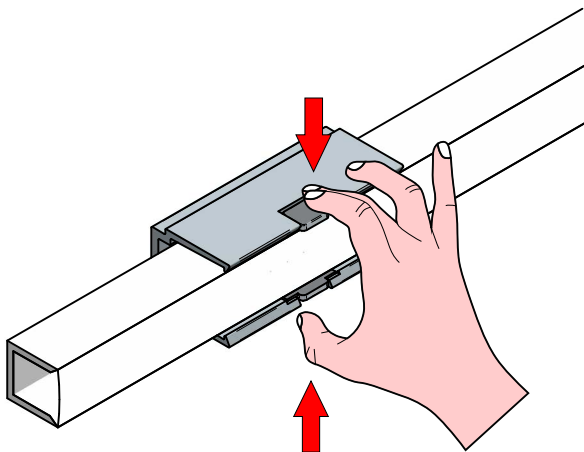
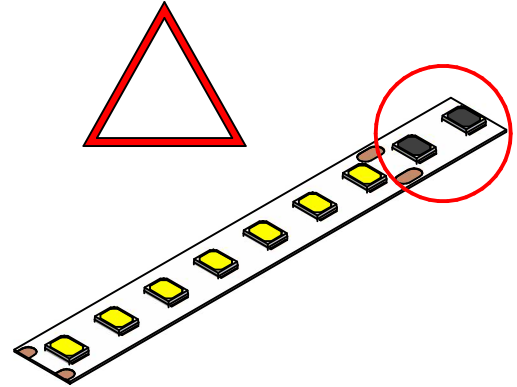
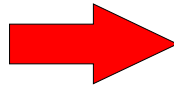
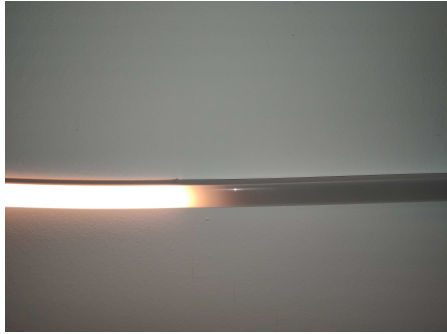


041000043000

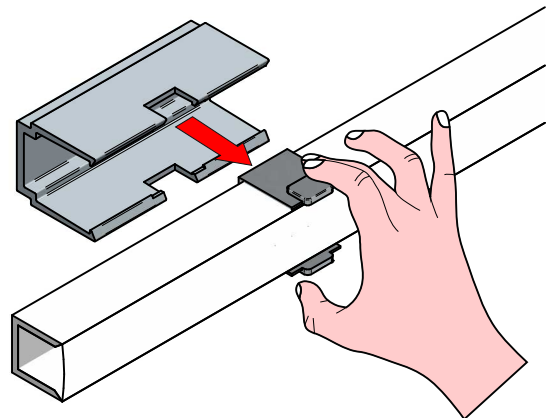
Rubber SIDE BEND



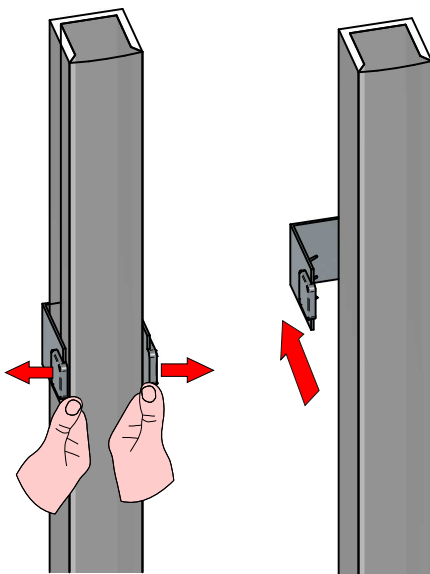
1



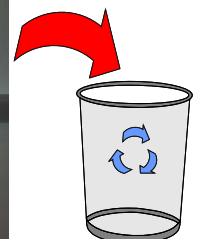
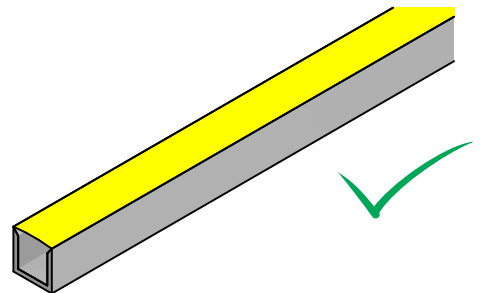
3



4



5

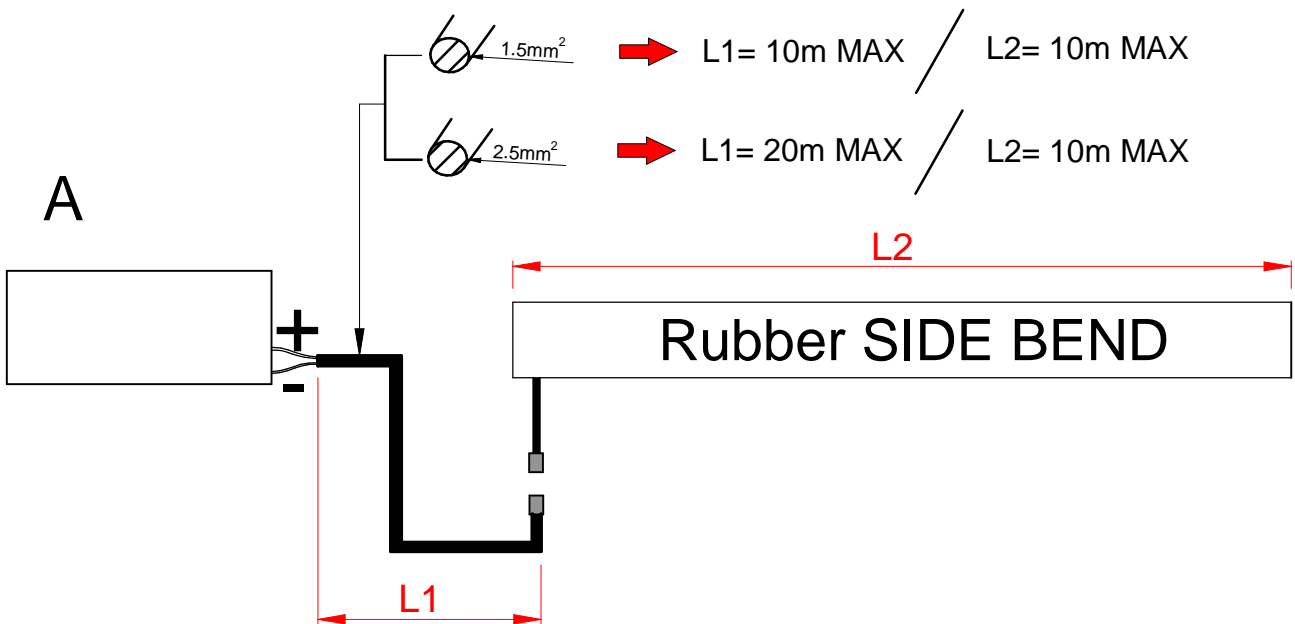
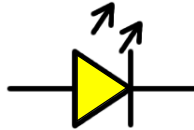
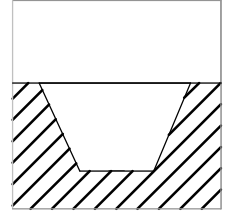
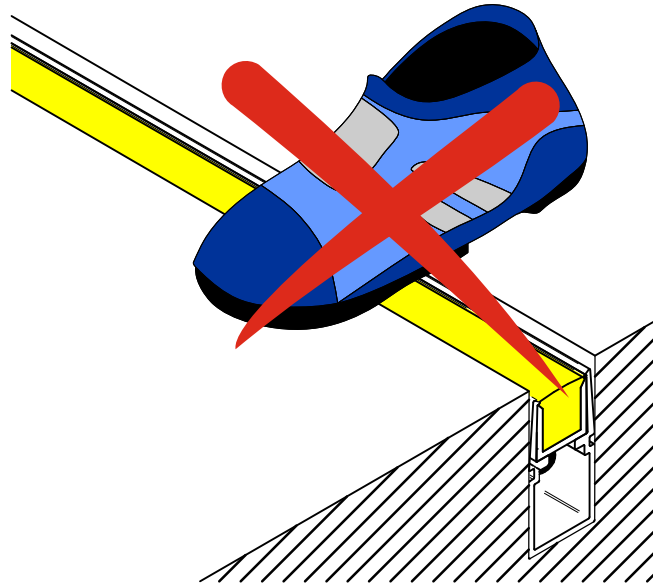


041000043000

Rubber SIDE BEND

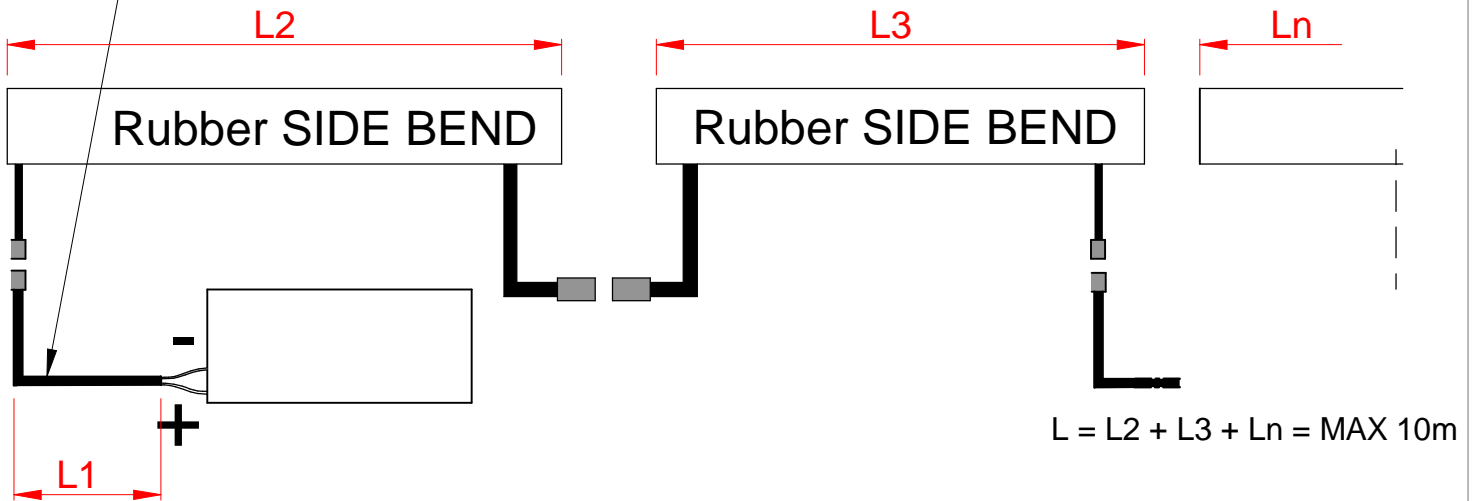
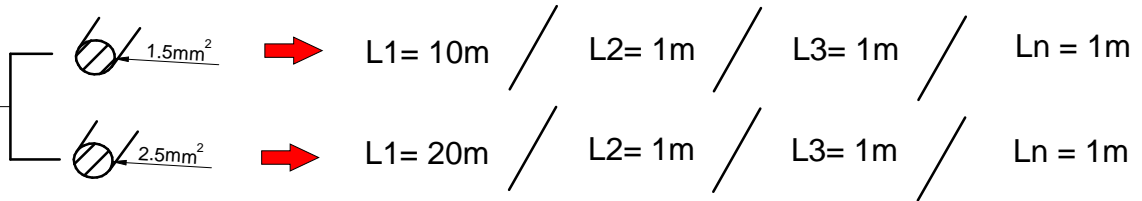


i-LèD

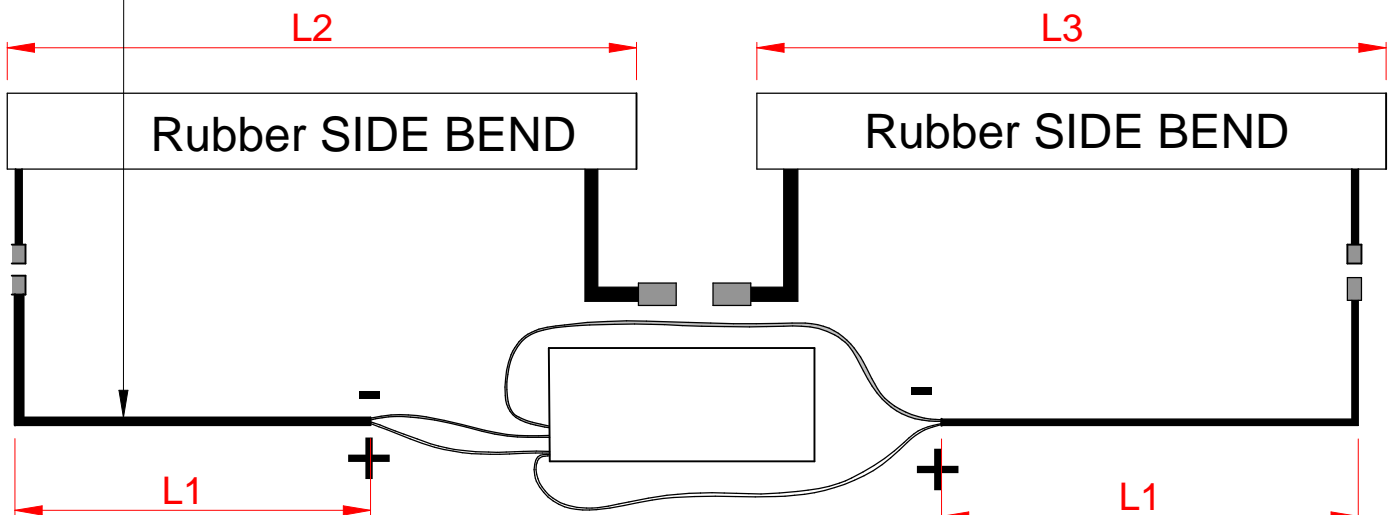
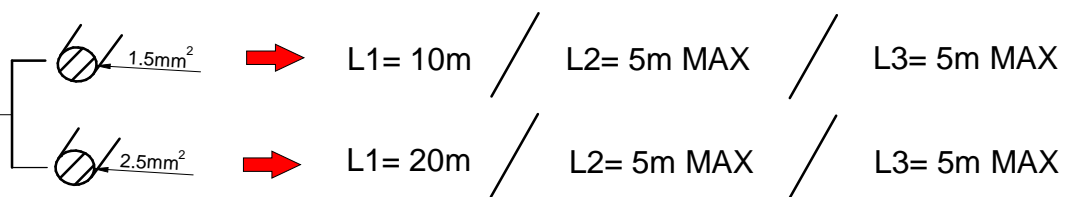


Rubber SIDE BEND

B

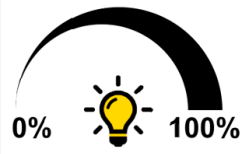


C



041000043000

Rubber SIDE BEND



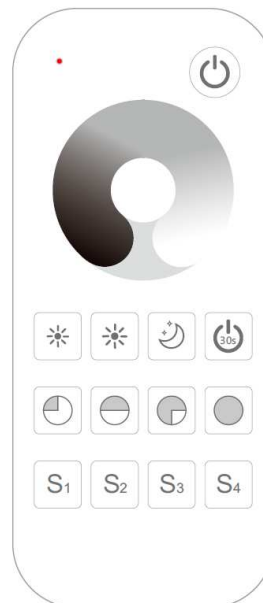
99540



99694



99697



99700