

LED- POINT 350mA ISO 10 R



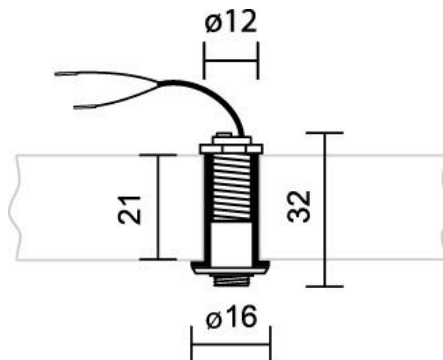
159018mcgy

LED- POINT 350MA ISO 10 R SURFACE- MOUNTING PLUG CONTACTS

159018mcgy  mattchrom (mcgy) - max. 350mA

LED- POINT 350mA ISO 10 R

No description data available!



Product data:

Art.- No.: 159018mcgy
 Protection class: 3
 Power: max. 21 W

Designer: BRUCK