

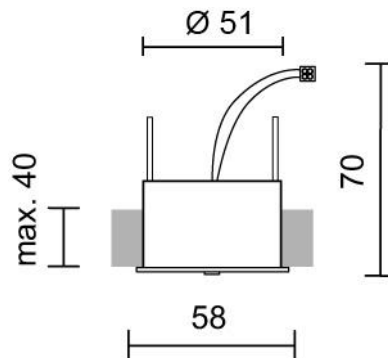
LED- POINT 350mA 51 R



159020ch

LED- POINT 350mA 51 R

No description data available!






Product data:

Art.- No.: 159020ch
 Protection class: 3
 Power: max. 21 W

Designer: BRUCK

LED- POINT 350MA 51 R SURFACE- MOUNTING PLUG CONTACTS

159020ch		chrome - max. 350mA
159020mcgy		mattchrome wet- painted - max. 350mA
159020ws		white wet- painted - max. 350mA