

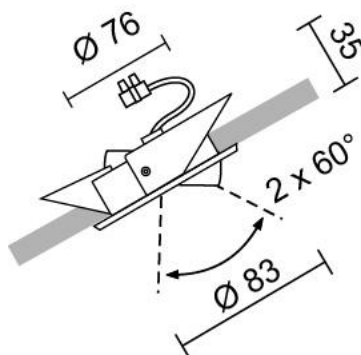
LED- POINT 350mA 2x60 R



159024ch

LED- POINT 350mA 2x60 R

No description data available!






Product data:

Art.- No.: 159024ch
 Protection class: 3
 Power: max. 21 W

Designer: BRUCK

LED- POINT 350MA 2X60 R SURFACE- MOUNTING PLUG CONTACTS

159024ch		chrome - max. 350mA
159024mcgy		mattchrom (mcgy) - max. 350mA
159024ws		white wet- painted - max. 350mA