

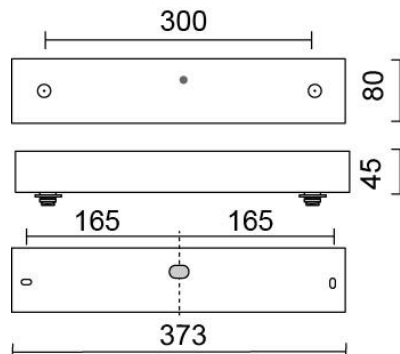
LED- POINT 350mA DUO 300 C

**159104ch**LED- POINT 350MA DUO 300 C SURFACE-
MOUNTING PLUG CONTACTS

- N **159104ch** chrome
- N **159104mcgy** mattchrome wet- painted

LED- POINT 350mA DUO 300 C

No description data available!

**Product data:**

Art.- No.: 159104ch
 Voltage: 230 V
 Protection class: 1
 Power: 1 - 11 W