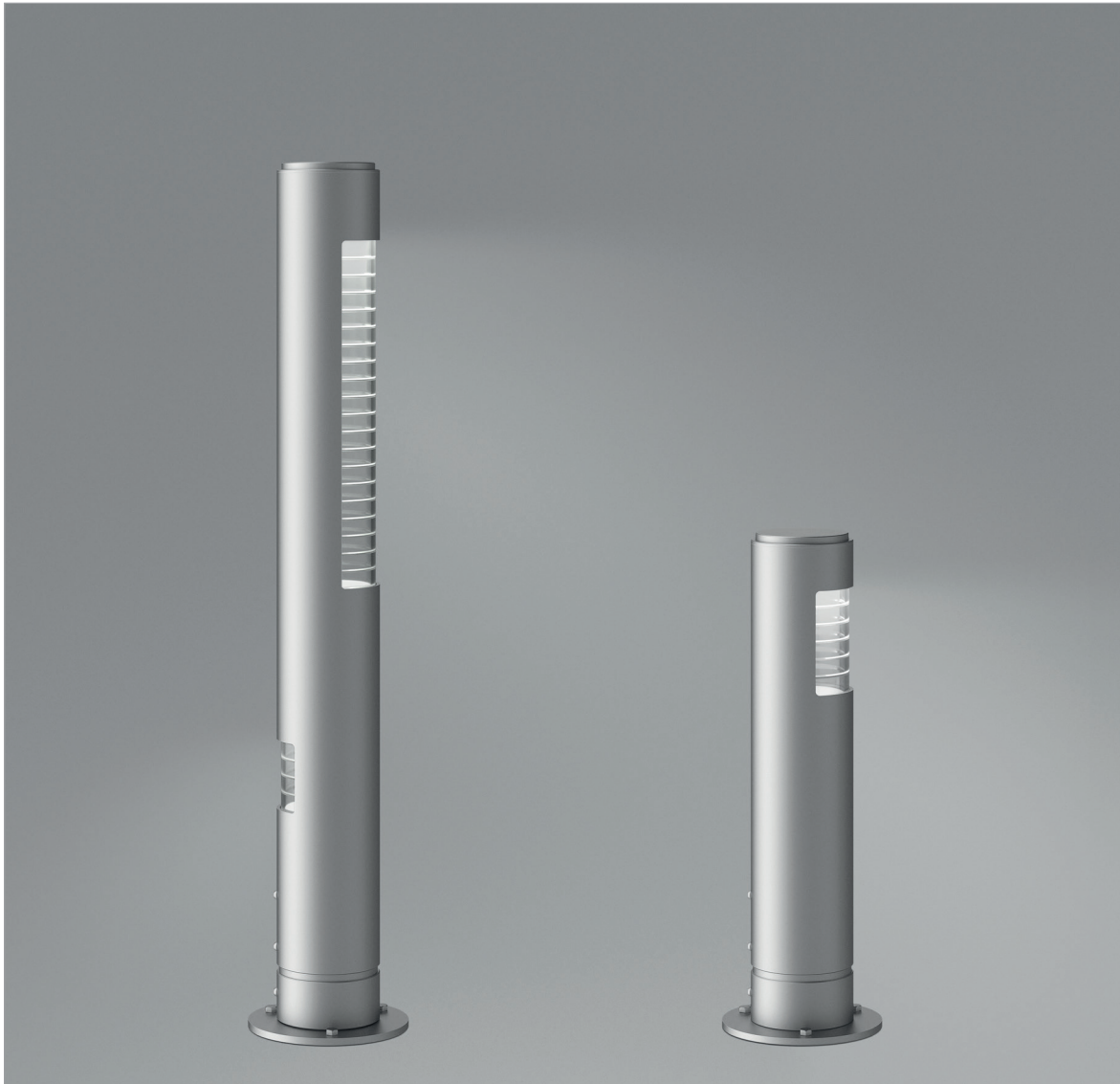


Dua Bollard + Dua Bollard Low

Design: Juul I Frost Architects



Dua is a new family of bollards by Juul I Frost Architects.

The taller Dua Bollard is minimalistic and yet characteristic in its slim and asymmetrical design. The two light sources combine primary light with glowing light on the surroundings. The lower Dua Bollard Low has light in forward direction only.

Both bollards are built in modules making it easy to service and update the luminaires.

Dua Bollard Low leads the way and will combine buildings and facilities that are spread over a large area, for instance at schools, factories, hospitals etc.

Types:
Bollards

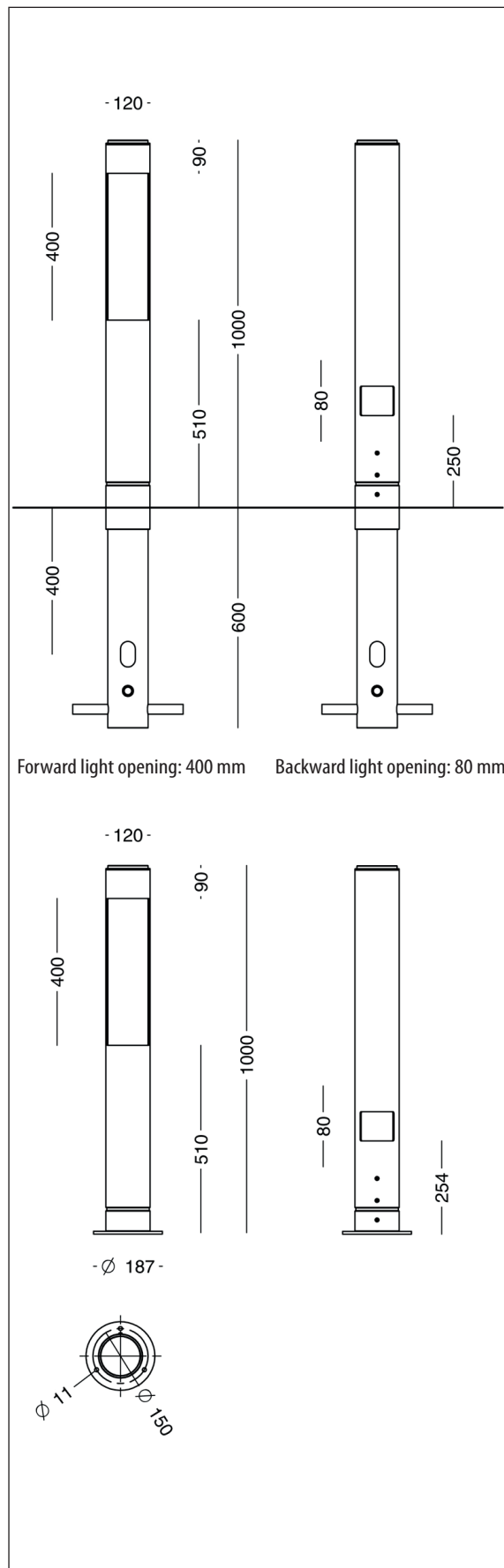
Sizes:
H 1000, Ø 120 mm
H 570, Ø 120 mm

Technology:
COB LED

FOCUS-LIGHTING

Dua Bollard - LED

Design: Juul | Frost Architects



Luminaire spec:

Material:	Aluminium
Finish:	Graphite grey: YW355F Silver grey: Y2370I Corten brown: YX355F Black: Noir 900 Sablé SN351F
Shade:	Acrylic tube with inside spinned grooves
Mounting:	With rooted base or on flange
Connection:	Max three cables, 5 x 16 mm ²
Classification:	IP66, class II
Weight:	Flanged model: 8 kg Rooted model: 12 kg
Lamp type:	LED

LED and driver spec:

LED:	Bridgelux V8 + V6
Operational life:	min 100,000 hours at ta max 25°C, L80B10
Power consumption:	12 W, 350 mA
Colour temperature:	2700, 3000, or 4000 Kelvin
Colour rendering:	min 90 Ra
Colour accuracy:	3 steps SDCM

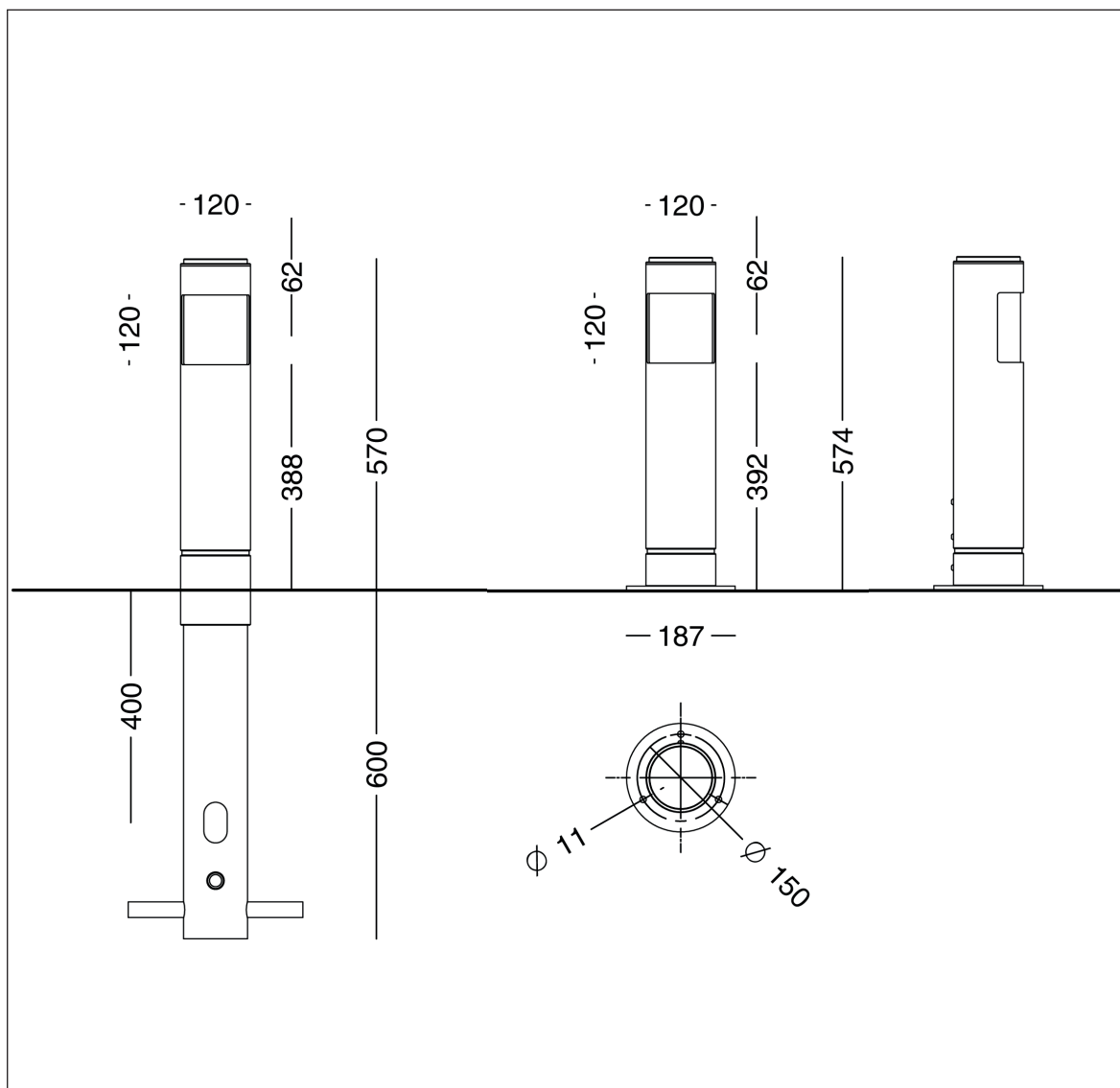
Standard driver:	Helvar 350 mA, -20°C, dimming optional
Inrush current:	max 7 A (50% after 25 μs)
Operational life:	min 100,000 hours

Programmable driver:	Xitanium Full Xi FP 22 W, 0.3-1.0 A
Inrush current:	max 14 A (50% after 400 μs)
Dimming:	15-100% in time intervals
Surge protection:	L/N-GND: 8 kV, L-N: 6 kV
Operational life:	min 100,000 hours

FOCUS-LIGHTING

Dua Pullert Low - LED

Design: Juul I Frost Architects



Luminaire spec:

Material:	Aluminium
Finish:	Graphite grey: YW355F Silver grey: Y2370I Corten brown: YX355F Black: Noir 900 Sablé SN351F
Shade:	Acrylic tube with inside spinned grooves
Mounting:	With rooted base or on flange
Connection:	Max two cables, 5 x 6 mm ²
Classification:	IP66, class II
Weight:	Flanged model: 6 kg Rooted model: 8 kg
Lamp type:	LED

LED and driver spec:

LED:	Bridgelux V8
Operational life:	min 100,000 hours at ta max 25°C, L80B10
Power consumption:	9 W, 350 mA
Colour temperature:	2700, 3000, or 4000 Kelvin
Colour rendering:	min 90 Ra
Colour accuracy:	3 steps SDCM
Standard driver:	Helvar 350 mA, -20°C, dimming optional
Inrush current:	max 5 A (50% after 25 μs)
Operational life:	min 100,000 hours

FOCUS-LIGHTING

Dua Bollards - Item Numbers

Design: Juul I Frost Architects

Variants

Dua Bollard							
Item No.	Mounting		Lamp type, Bridgelux V8 + V6				
7855-	rooted base		12 W, 350 mA				
7858-	flanged base		12 W, 350 mA				
Dua Bollard Low							
Item No.	Mounting		Lamp type, Bridgelux V8				
7856-	rooted base		9 W, 350 mA				
7859-	flanged base		9 W, 350 mA				
Select colour, colour temperature etc. in the table below.							
Combine with:	Colour	Colour temperature		Dimming		Protection class	
	4 graphite grey	927	2700 K, 90 Ra	V	1-10 V	empty	class II
	9 silver grey	930	3000 K, 90 Ra	D	Dali	J	class I
	17 corten brown	940	4000 K, 90 Ra	E	programmable		
	66 noir 900						
						Extra surge protection	
						X	10 kV
Example Order No.:	7855-4930 = Dua Bollard for embedment, graphite grey, 12 W LED, 3000 K 90 Ra, cl. II						