



JLC • tech



*The only lighting products that are designed, approved and patented
to replace the cross members in a suspended grid ceiling system.*



“Making the simple complicated is commonplace; making the complicated simple, awesomely simple, that’s creativity.”

– Charles Mingus



Shady Grove Fertility – Rockville, MD
E4H Environments for Health Architecture

Table of Contents

4	Introduction
5	Key Benefits of JLC-Tech Products
7	Mounting Configurations
9	Lighting Layout Examples
13	Two Easy Installations for Suspended Ceiling Systems
16	T-BAR LED™ Tunable White
17	T-BAR LED™ Designed for Armstrong® Ceilings Vector®
19	Additional Ratings for JLC-Tech Lighting Products
24	JLC-Tech Products
26	The T-BAR LED™
56	The T-BAR UP™
64	Remote LED Driver and Controller Options for T-BAR LED™ and T-BAR UP™
74	The T-BAR TWO™
80	Remote LED Driver Options for T-BAR TWO™
84	The T-BAR RGBW™
90	Remote LED Driver and Controller Options for T-BAR RGBW™

Image on cover:

Rhode Island College, Gaige Hall – Providence, RI
LLB Architects / Abernathy Lighting Design



Are you still thinking of using a typical downlight?

LED technology has now saturated the lighting industry, creating an enormous change in available lighting products. The market is flooded with LED lighting fixtures that re-create the old 600mm x 600mm and 600mm x 1200mm troffer and round down lights, resulting in LED designs that look just like the 60 year-old fluorescent lighting models!

Our revolutionary approach to creating lighting fixtures with LEDs was done with one simple concept in mind: Why add a light fixture when the LED technology allows us to integrate light into already existing structural elements?

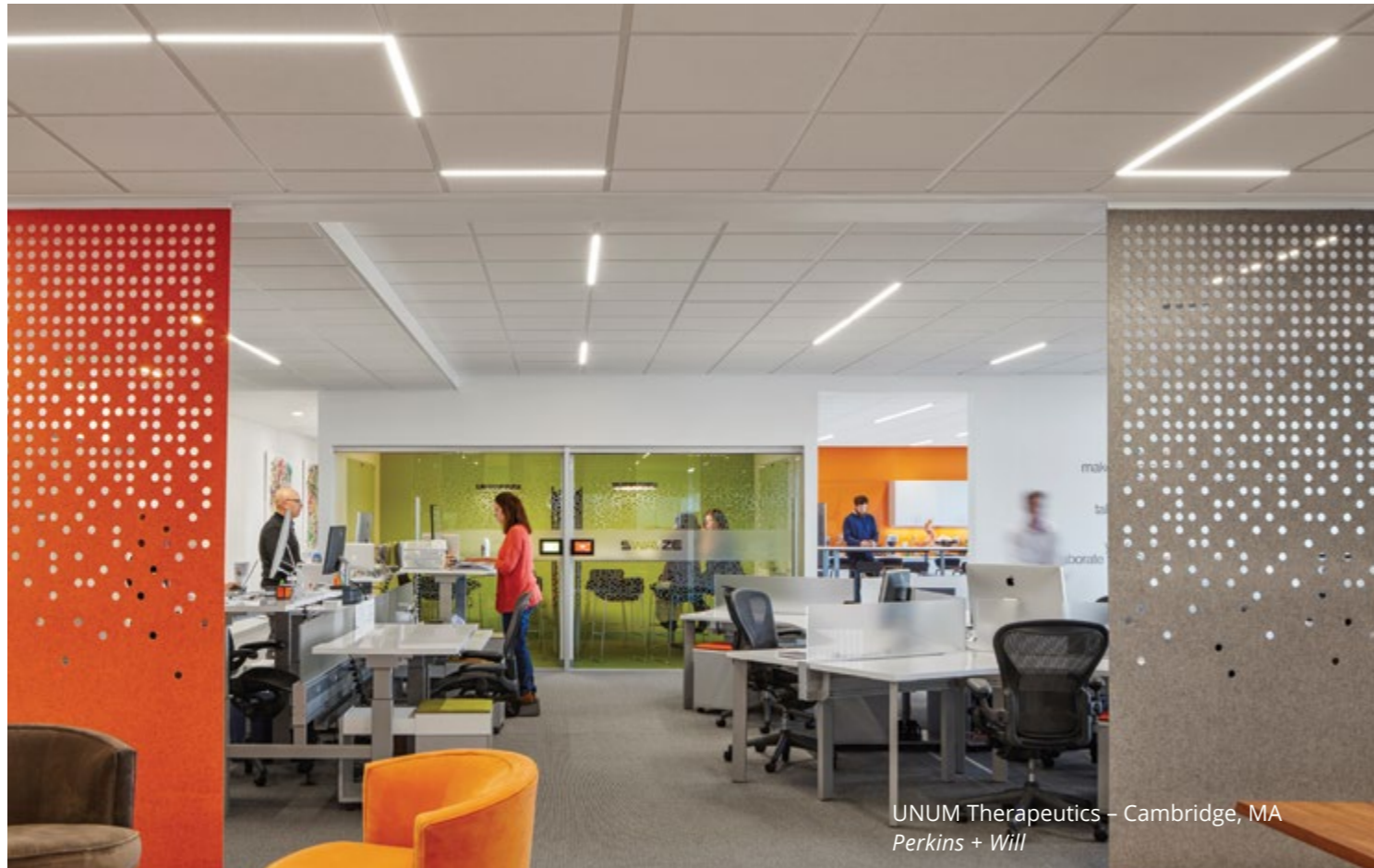
With this thought in mind, the T-BAR LED™ was born: A minimalistic linear lighting fixture

that actually takes the place of a T15 or T24 cross member of the ceiling suspension system, allowing the lighting to become a part of the ceiling assembly, reducing building materials, labor and waste, all while saving energy. A concept so clear and simple, that it is stunning!

Thanks to our engineering and patented technology, the junction point temperature of the LED is maintained below the maximum rating allowed by the LED manufacturer, insuring product longevity. The T-BAR LED™ is a step into the future, changing the way we illuminate our spaces, and improving the world in which we live, work and play.

*JLC-Tech is designing simple
and elegant lighting that saves
you more than just energy!*

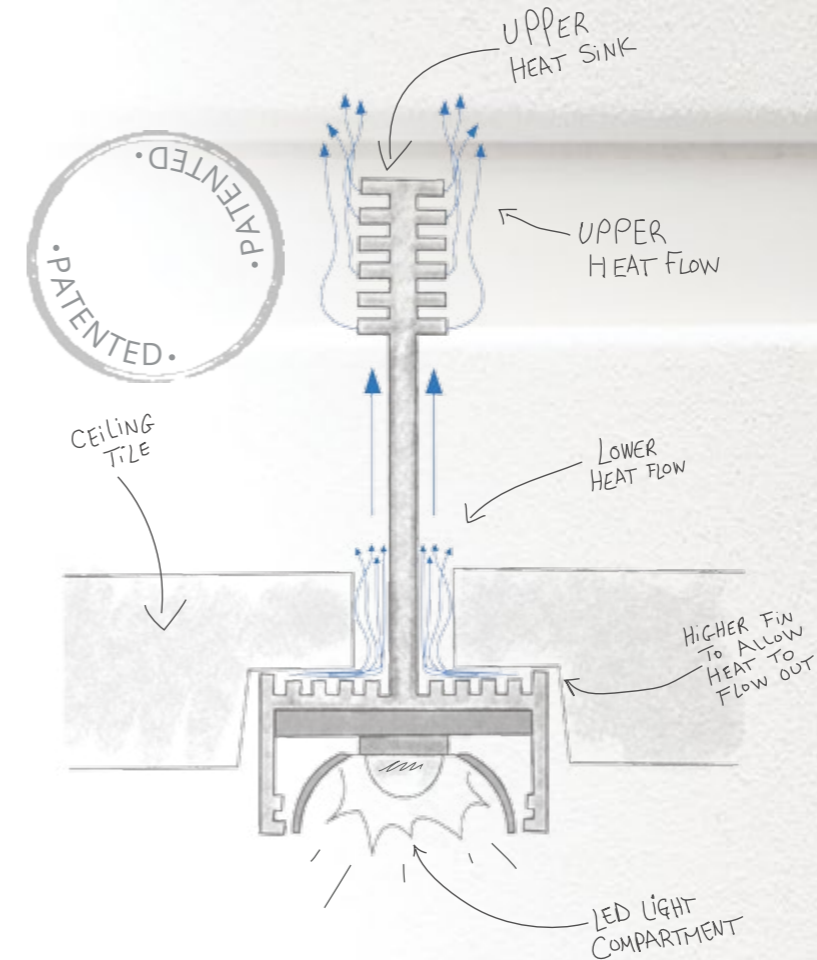
Key Benefits of JLC-Tech Products



UNUM Therapeutics – Cambridge, MA
Perkins + Will

Minimize building materials and waste, save energy and reduce installation costs with JLC-Tech's lighting products.

The shape of the T-BAR LED™ is designed to quickly transfer all the heat generated by the LED away from its surrounding area.



The T-BAR LED product line is protected under the following patents: Patent No. 8,177,385; 9,879,850; D834,238; 178048; D834,239; 178047; 10,145,536. Additional patents are pending.

NO CEILING OCCUPANCY

The minimalistic low profile lighting leaves the space above and around the ceiling completely unoccupied and facilitates the coordination of placing other ceiling utilities.

IMPROVED ACOUSTICS

The clean modern lights occupy the grid, allowing for the use of uninterrupted ceiling panels, creating a uniform ceiling design and optimizing sound absorption and light reflectance.

REDUCE AND SAVE

The installation is a snap and requires minimal-to-no-tools or field cutting of tiles. Third party studies have found that the cost of building materials and labor are reduced by nearly 50% when using JLC-Tech's product lines in comparison to other lighting.*

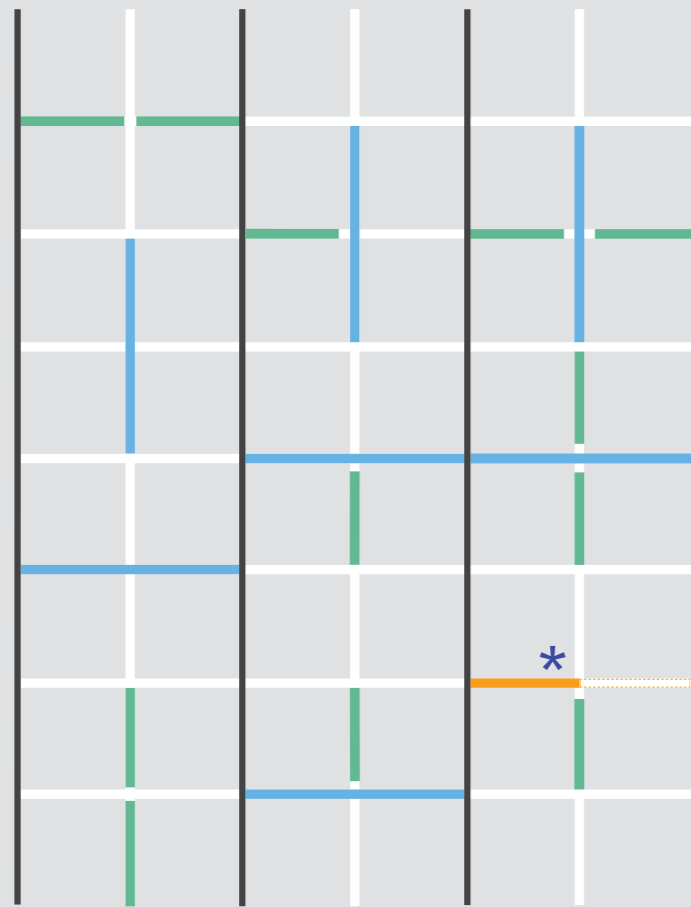
* See McMillan case study on our website.

EVEN LIGHT LEVELS

The versatile lighting can be placed in the ceiling wherever light is needed or desired, resulting in a more uniform illumination and the ability to achieve the lux levels required.

A simple design for an unforgettable architectural statement.

Mounting Configurations



JLC-Tech products become a part of the ceiling assembly.

JLC-Tech's lighting products can be installed in many configurations simply by replacing the cross tees between the main runners of the grid ceiling assembly.

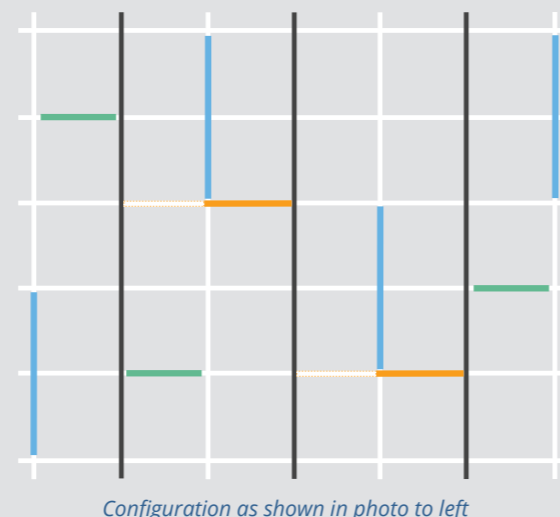
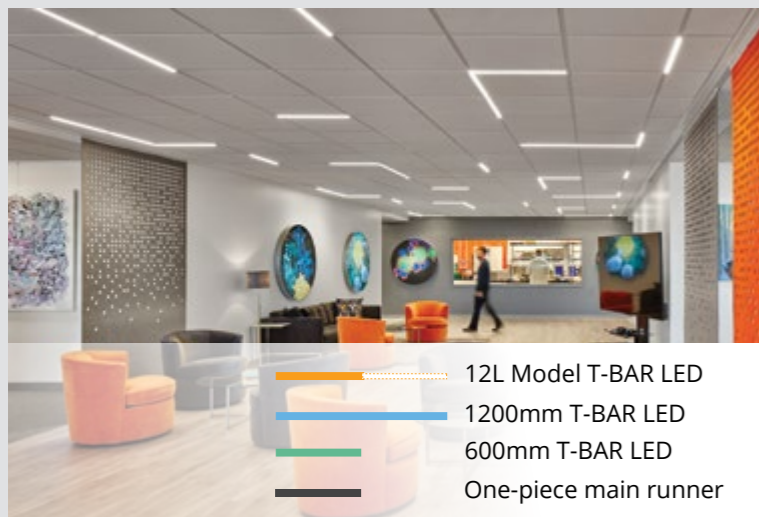
- 1200mm T-BAR LED █
- 600mm T-BAR LED █
- 12L Model T-BAR LED █
- Possible positions for T-BAR LED light modules █
- One-piece main runner (cannot be replaced by light modules) █



90° configuration with the 12L™ Model

T-BAR LED can be installed in a rectangular, square or geometric trail of light, thanks to the T-BAR LED 12L Model: An easy solution for installing linear lighting at 90 degrees above conference tables, desks, in a waiting area or the contour of a room. Create geometric linear patterns of light for special general lighting or decorative projects. Available with all optic options and flat grid types.

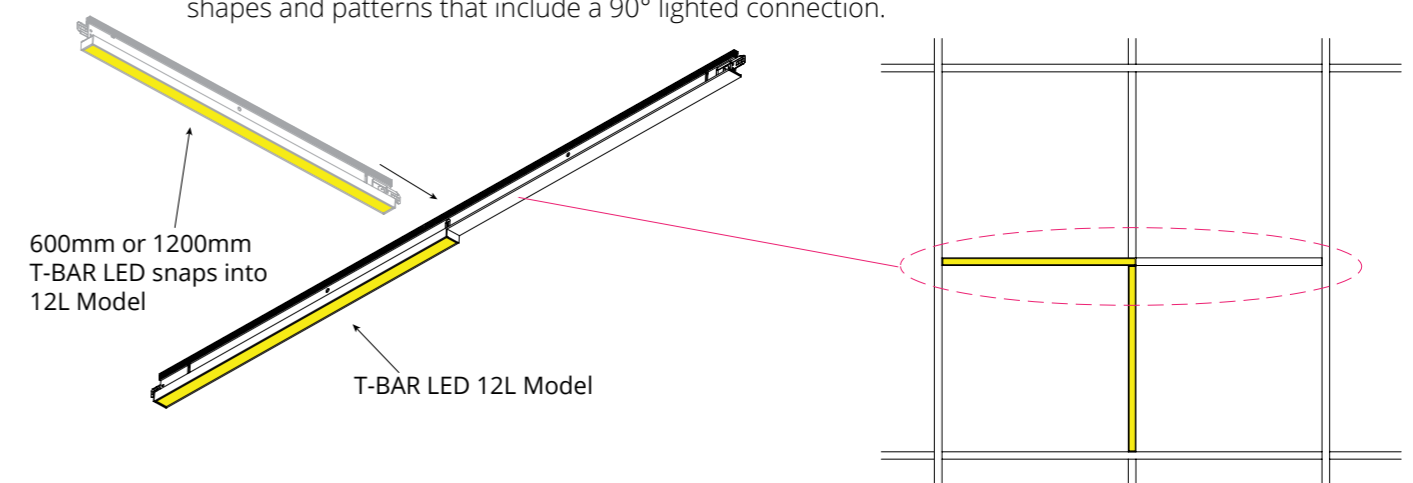
Layout example for JLC-Tech products



* 12L Model

90° configurations are possible by using our 12L Model

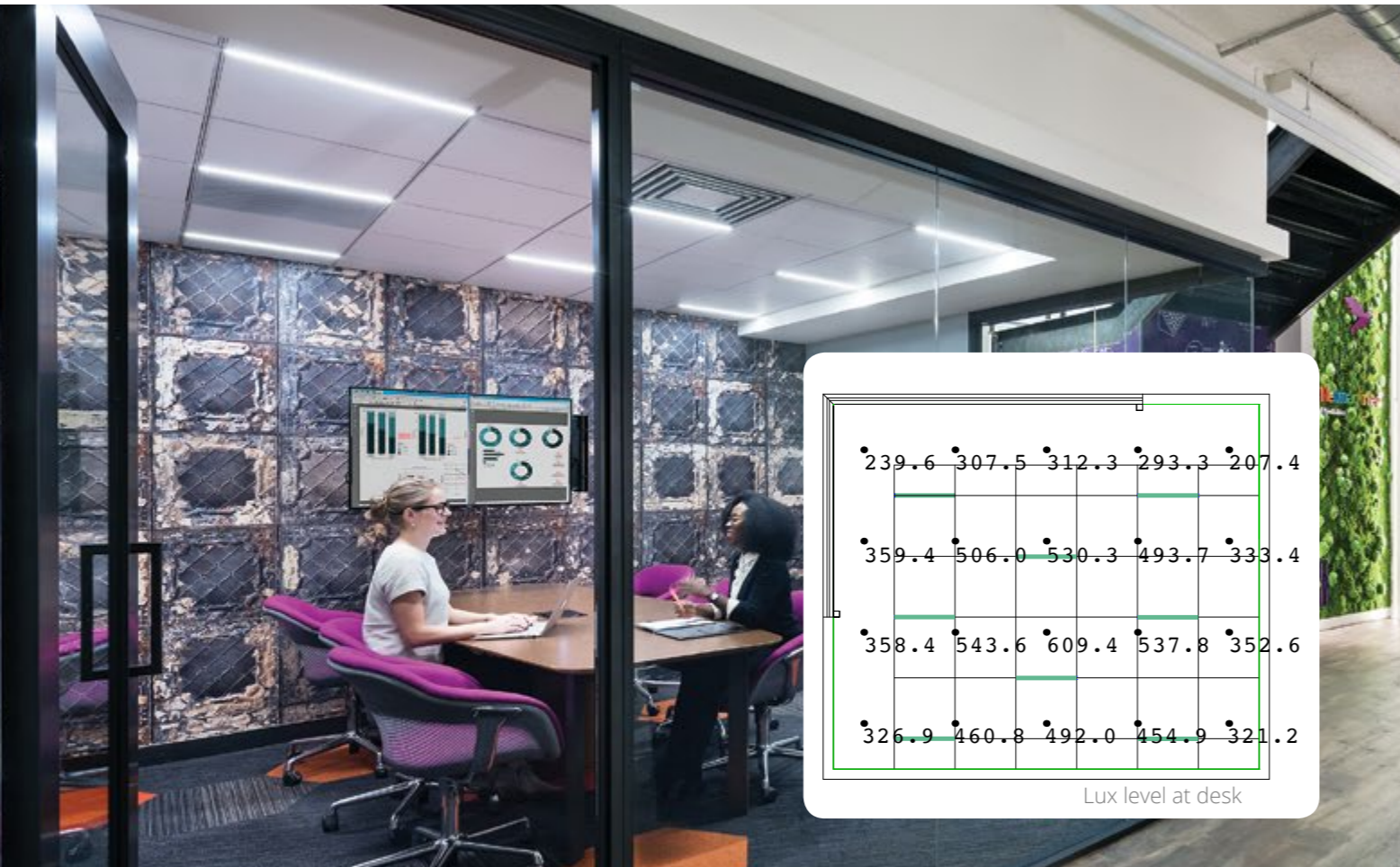
This model is illuminated on only 600mm of its length, while the other 600mm are machined flat to replicate a standard flat cross tee. By selecting the 12L Model you will be able to create shapes and patterns that include a 90° lighted connection.



Lighting Layout Examples

With the T-BAR LED, lighting can now be placed where the designer needs and wants illumination. No longer is it necessary to work with high lumen output from one 600mm x 600mm or 600mm x 1200mm light source in a room. Like a beacon, these sources of light waste precious lumens in one area, while leaving others completely in the dark.

The T-BAR LED can be placed over desks or evenly installed down hallways. The lighting can be staggered in a room to obtain a harmonious illumination or in a continuous row to create a long linear layout. Whatever the purpose for the space, the designer can now match the designated area with the required foot candles.



AARP Renovation Project – Washington, D.C.
OPX Design Consultancy

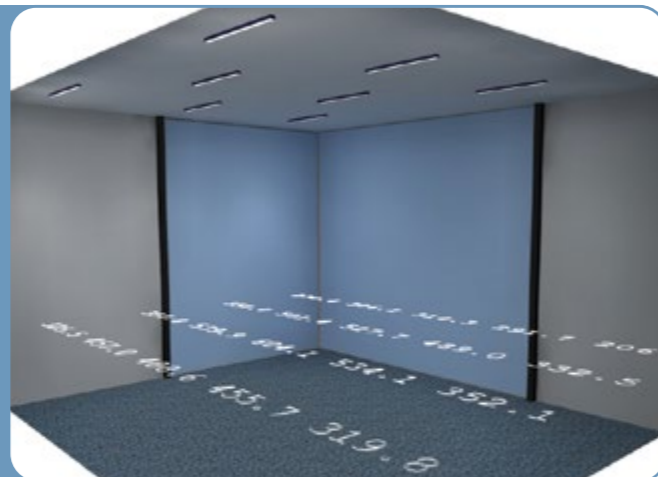


Springhill Medical Center – Mobile, AL
AMA Lighting

Room dimensions:
4,1x 3,72 Meters
ceiling height – 2,75 Meters

Quantity of product:
8 pcs – TBSL-MW-6-15-D-U-W
T-BAR LED 600mm Diffusing Lens T15 (3500K)

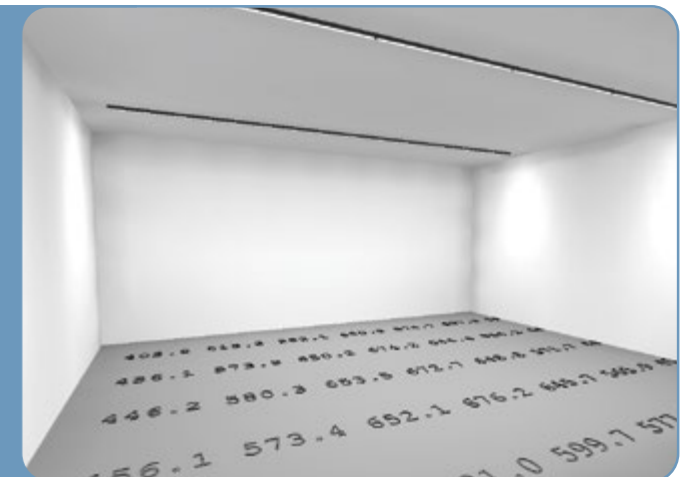
Average Lux level achieved at desk:
402,02 LX



Room dimensions:
4,88 x 6,00 Meters
ceiling height – 2,75 Meters

Quantity of product:
2 pcs – TBSL-MW-6-24-D-U-W
T-BAR LED 600mm Diffusing Lens T24 (3500K)
8 pcs – TBSL-MW-12-24-D-U-W
T-BAR LED 1200mm Diffusing Lens T24 (3500K)

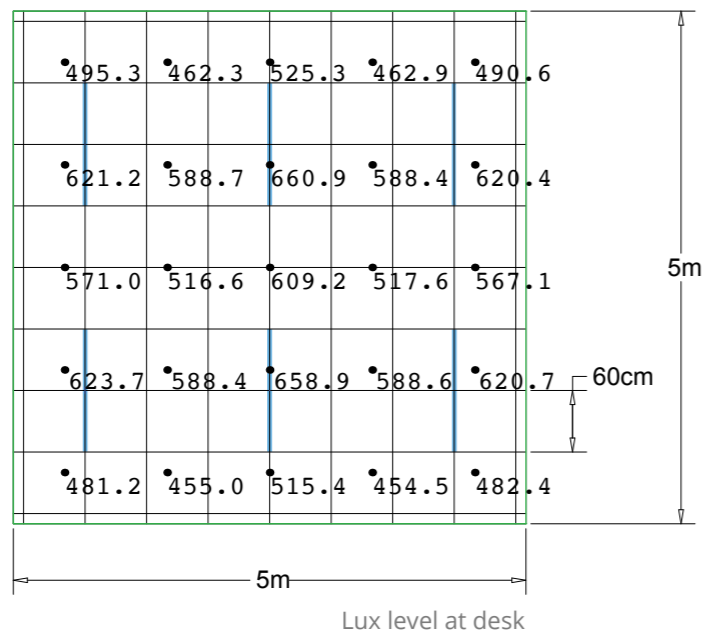
Average Lux level achieved at floor:
550,91 LX



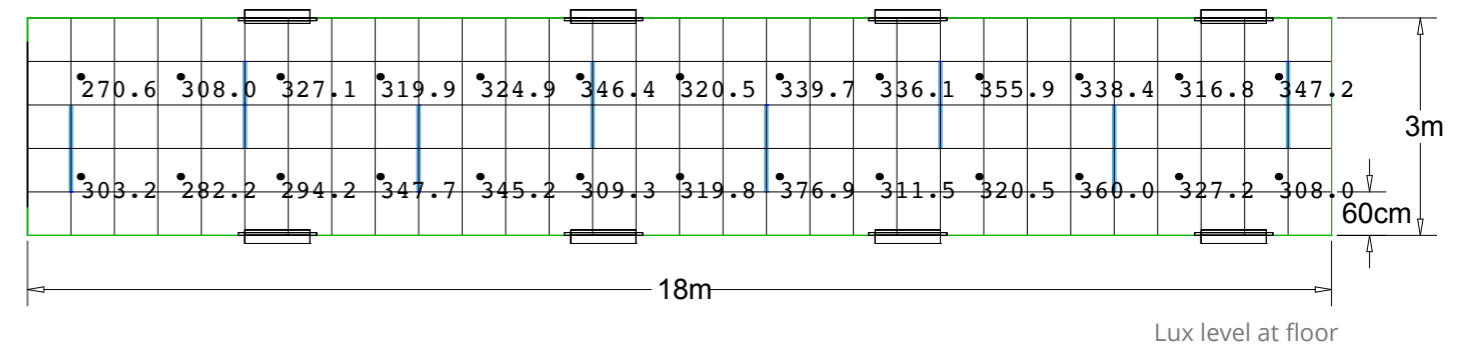
Lighting Layout Examples



Open office - 5 x 5 Meters



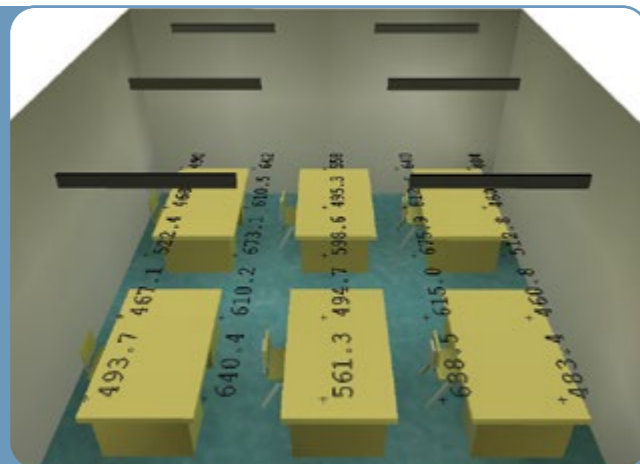
Corridor - 18 x 3 Meters



Room dimensions:
5 x 5 Meters
ceiling height - 2,75 Meters

Quantity of product:
6 pcs - TBSL-HN-12-24-D-X-W
T-BAR LED 1200mm Diffusing Lens T24 (4500K)

Average Lux level achieved at desk:
550,65 LX



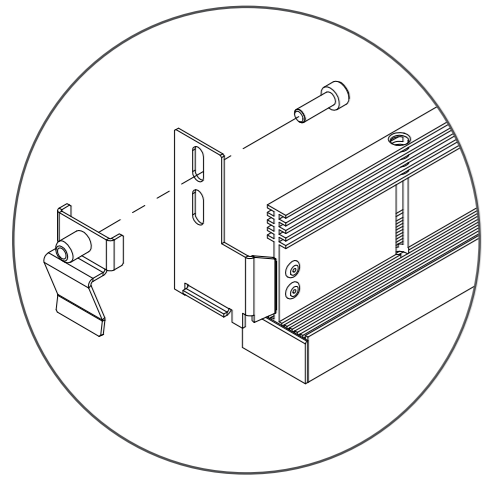
Room dimensions:
18 x 3 Meters
ceiling height - 2,75 Meters

Quantity of product:
8 pcs - TBSL-HN-12-24-D-X-W
T-BAR LED 1200mm Diffusing Lens T24 (4500K)

Average Lux level achieved at floor:
325,28 LX

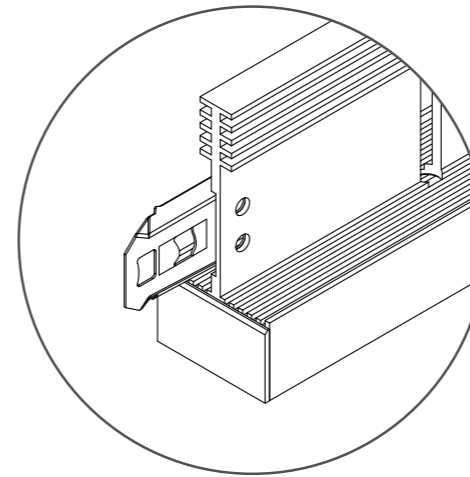


Two Easy Installations for Suspended Ceiling Systems



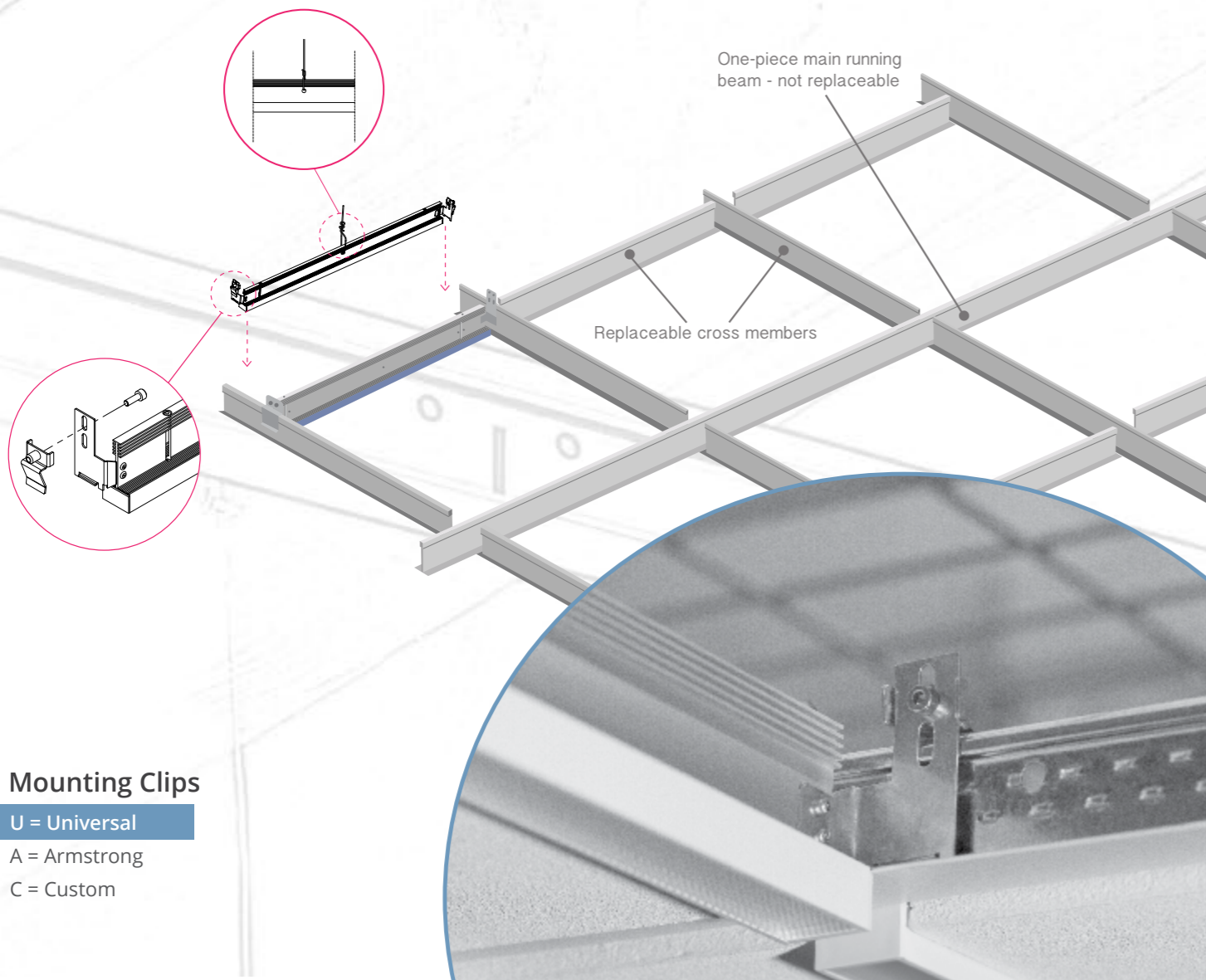
UNIVERSALLY COMPATIBLE CLIP

Specially designed brackets are mounted at each end of the fixture for easy installation into most manufacturers' standard T24 or T15 ceiling suspension systems. T-BAR LED replaces selected cross tees of the grid ceiling suspension system where light is desired. (See Universal Clip installation instruction for more details.)



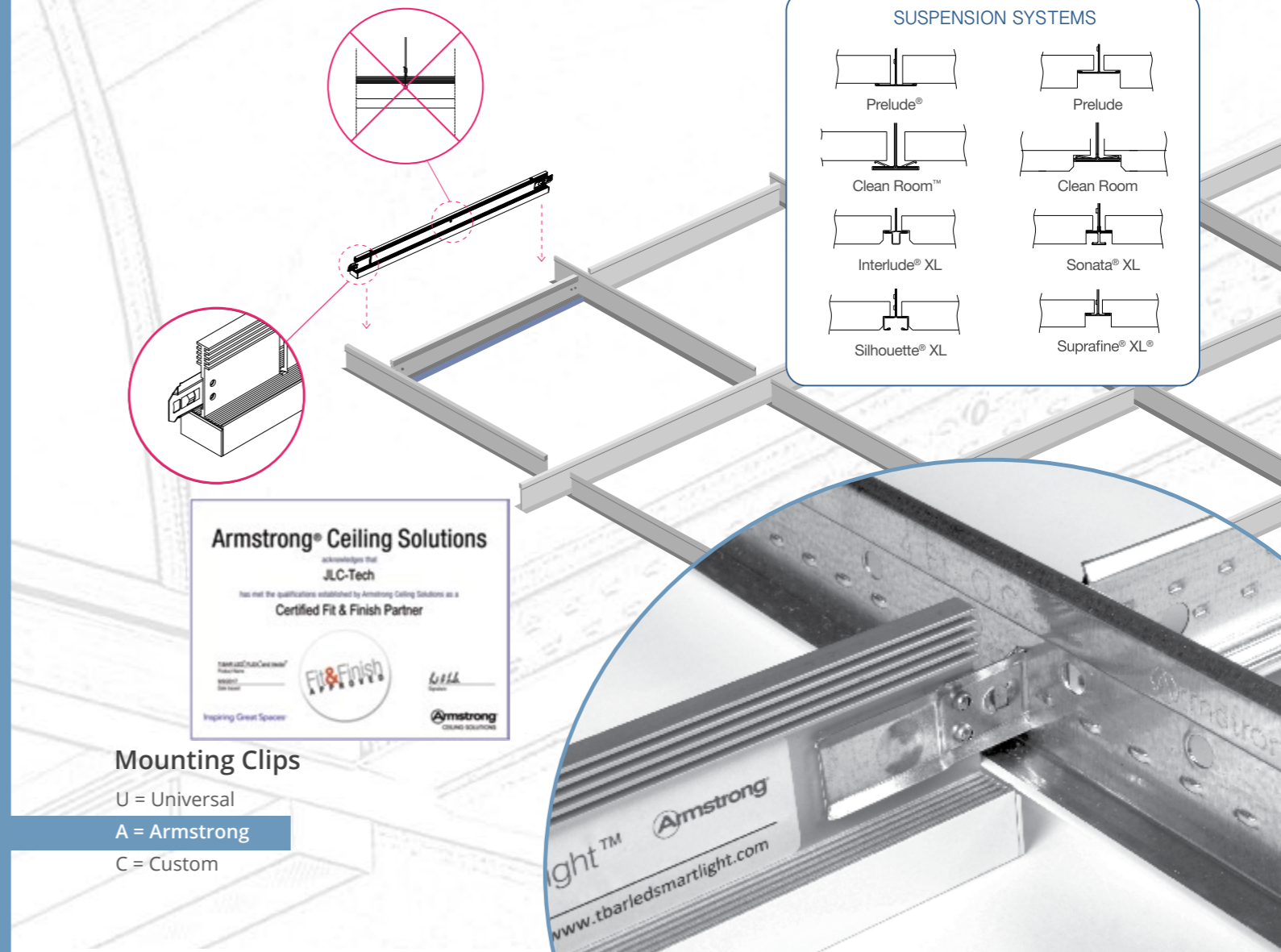
Armstrong® COMPATIBLE CLIP CEILING SOLUTIONS

Specifically designed by Armstrong Ceiling Solutions for JLC-Tech, the X-LED clip is mounted at each end for easy installation into Armstrong T24 or T15 ceiling suspension systems. This allows the fixture to become a part of the certified ceiling assembly, eliminating the need for support wires. T-BAR LED replaces selected cross tees of the grid ceiling suspension system where light is desired. (See Armstrong Ceiling Compatible Clip installation instruction for more details.)



Mounting Clips

- U = Universal
- A = Armstrong
- C = Custom



Mounting Clips

- U = Universal
- A = Armstrong
- C = Custom



American Beverage Association – Washington, D.C.
FOX Architects



T-BAR LED™ tunable white

The T-BAR LED with tunable white maximizes the benefits of circadian lighting for enhanced health, comfort, and productivity. JLC-Tech's architecturally integrated luminaires enhance the comfort in an environment with improved acoustics and even lux levels. Tunable white technology adds the ability to control the color of light of the T-BAR LED which makes for a truly human-centric focused lighting solution. Utilizing a tuning range from 2700K to 5000K allows for a wide choice of CCT, while closely following the black body curve for accurate light rendering. Offering control options of DMX, DALI or Bluetooth allows for precise control of both color and intensity with a wide range of compatible systems.

T-BAR LED Tunable White is available in the following products:

Diffusing Lens

Asymmetric

Block Clear Diffusing Lens

Block Frosted Diffusing Lens

Directional Sign

Also available in T-BAR UP™

Type of LED/K Color

HW = Warm White 3000K

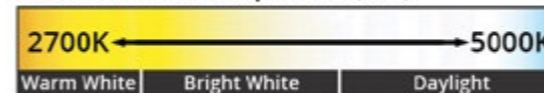
MW = Medium White 3500K

MN = Medium Neutral 4000K

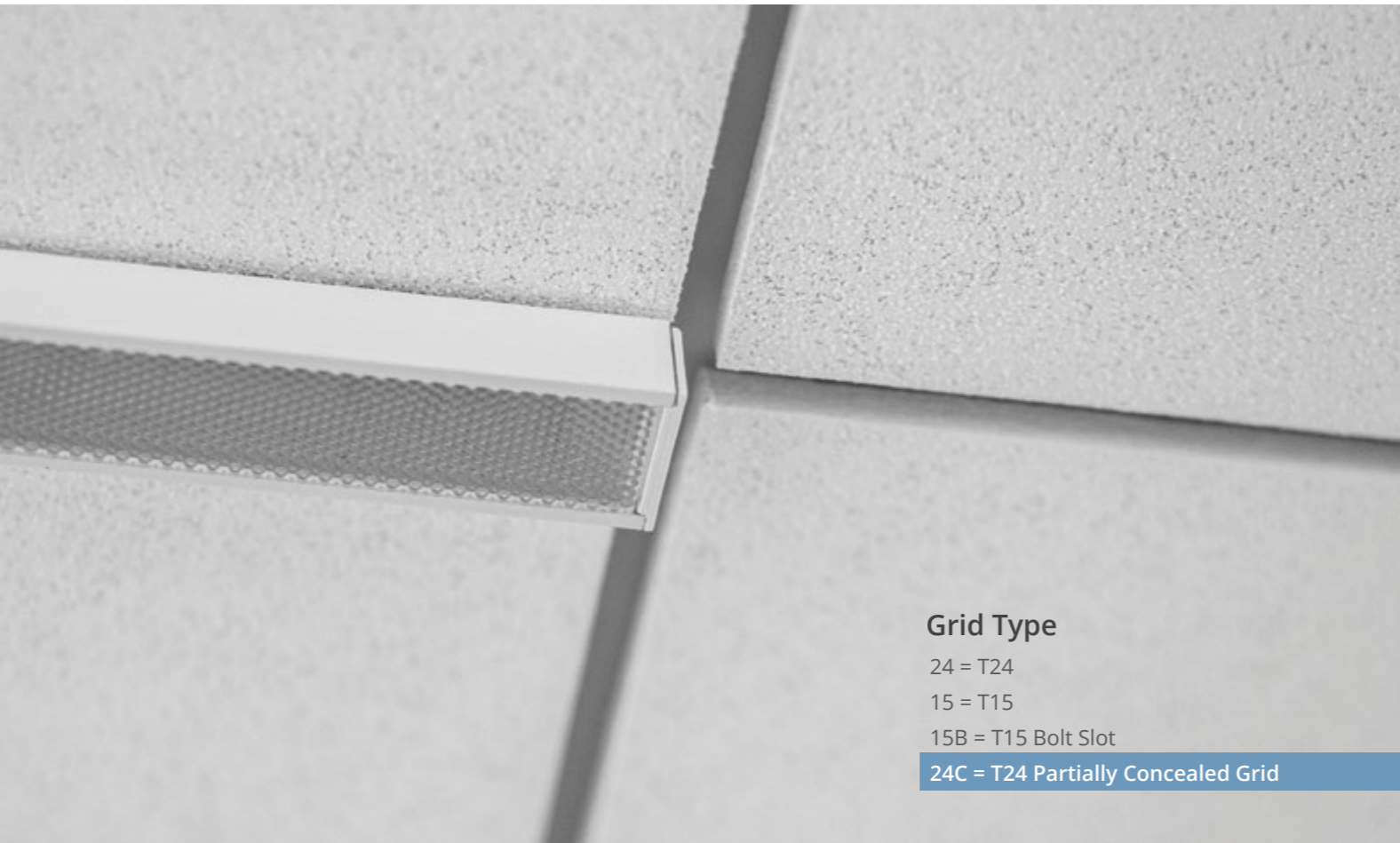
HN = Neutral White 4500K

TU = Tunable White 2700–5000K

Light Color
Correlated Color Temperature (CCT)



T-BAR LED™ Designed for **Armstrong® Vector®**
CEILING SOLUTIONS



Grid Type

- 24 = T24
- 15 = T15
- 15B = T15 Bolt Slot
- 24C = T24 Partially Concealed Grid**

The T-BAR LED™ for partially concealed grid systems is a new extrusion design by JLC-Tech. This product was specially designed to be compatible with Armstrong® Ceilings' Vector® partially concealed grid tiles and grid suspension systems. The elongated spine on the extrusion allows for the installation of the special tiles that partially conceal the grid from view.

This modified T-BAR LED is compatible with Optima®, Ultima®, Calla®, Lyra® Vector® tiles with 6mm partially concealed reveal.

(Some mounting configuration limitations apply – refer to our website for more information.)

Patent No. 8,177,385; 9,879,850; D834,239; 178047. Additional patents are pending.



Additional Ratings for JLC-Tech Lighting Products

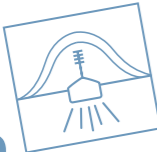
IC RATED

for additional insulation

The T-BAR LED is the solution for designer's ceiling challenges. All JLC-Tech products are IC rated for installation in suspended ceilings that require additional insulation materials either by code or design requirement.



**IC
RATED**

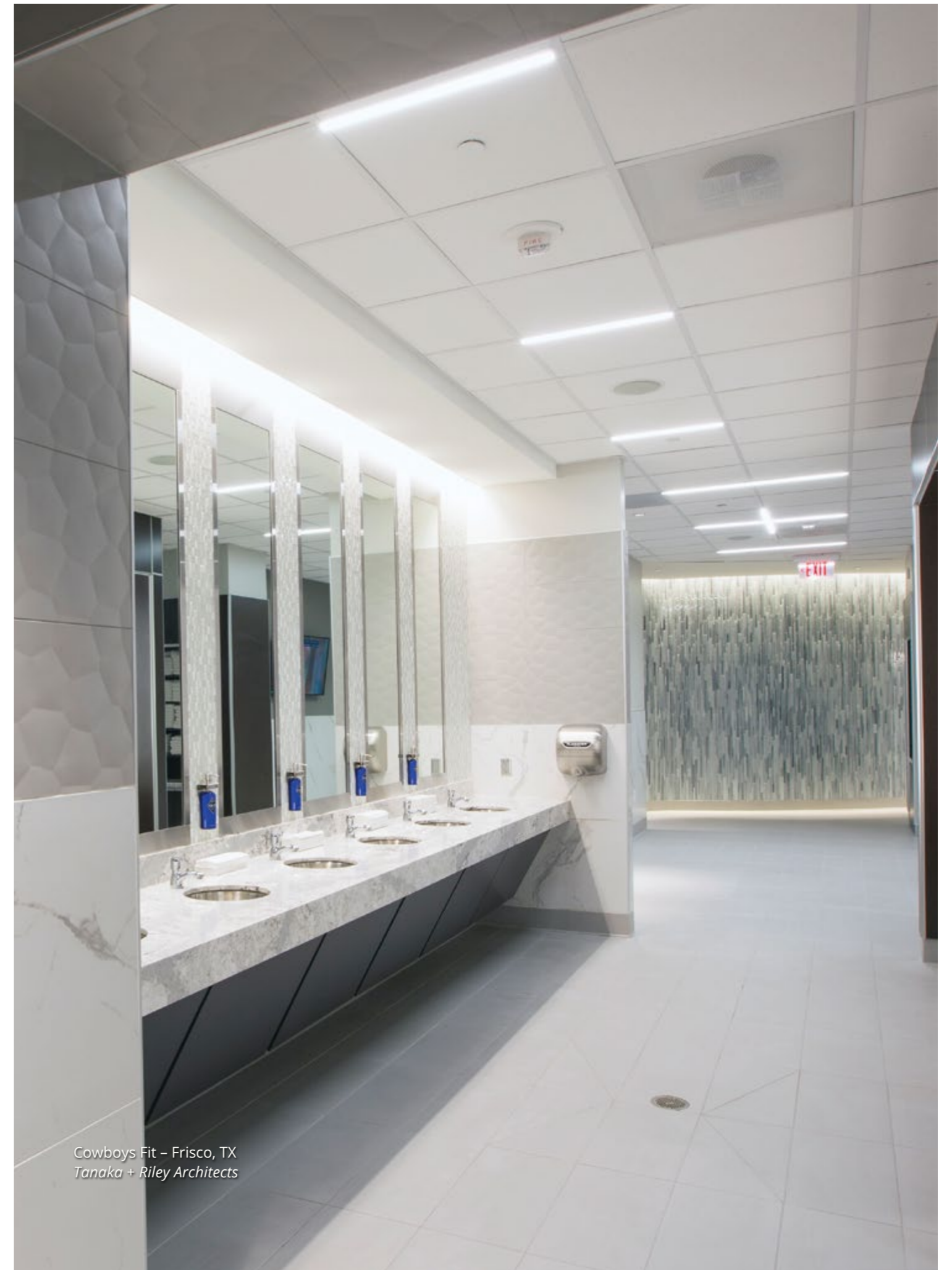
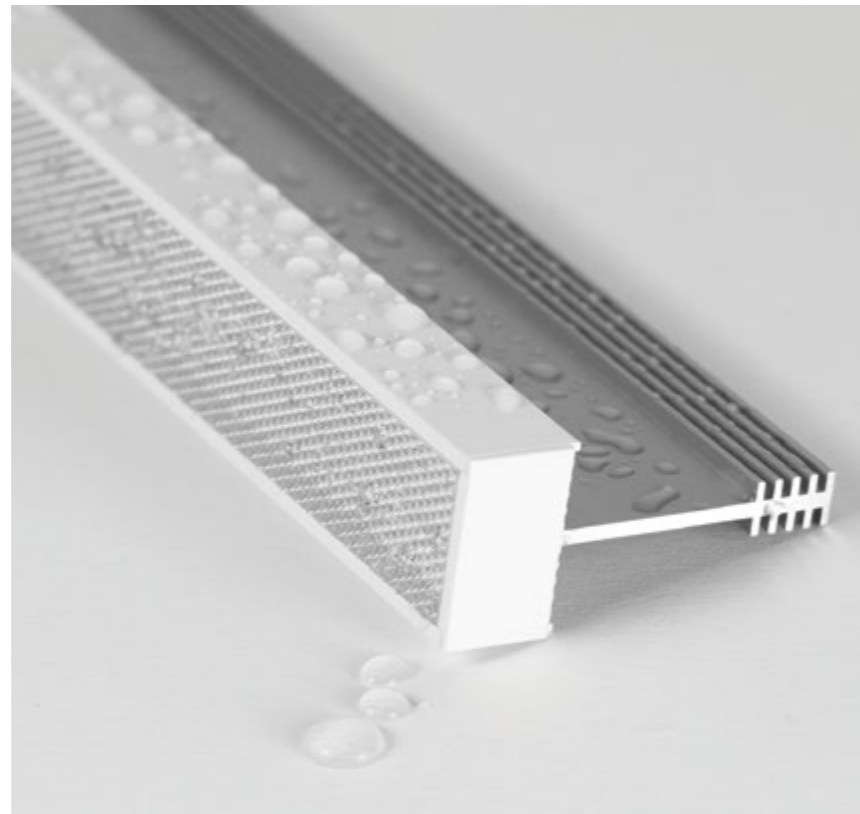


TYPE IC
VAPOR BARRIER MUST BE SUITABLE
FOR 90°C - INHERENTLY PROTECTED

IP65 RATED

available for damp locations upon request

JLC-Tech has created a special option for installation in damp locations with an IP65 rating. A special sealant is applied to the fixture to protect the electrical components from water and dust filtration, all while maintaining the unique and elegant aesthetic of the T-BAR LED. The IP65 option is only available upon request, yet it can be ordered in all standard optical models with the exception of the Cut-Off Reflector and Multi-Reflector lenses.



Cowboys Fit - Frisco, TX
Tanaka + Riley Architects





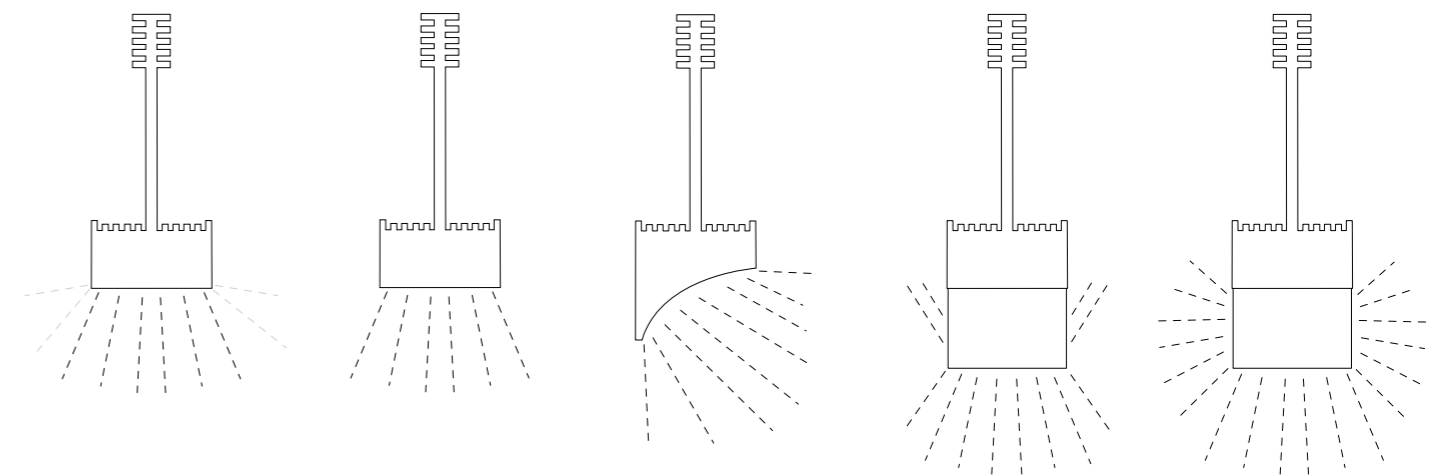
Sandbox COLLABorative,
Southern New Hampshire University – Manchester, NH
Perry Dean Rogers | Partners Architects

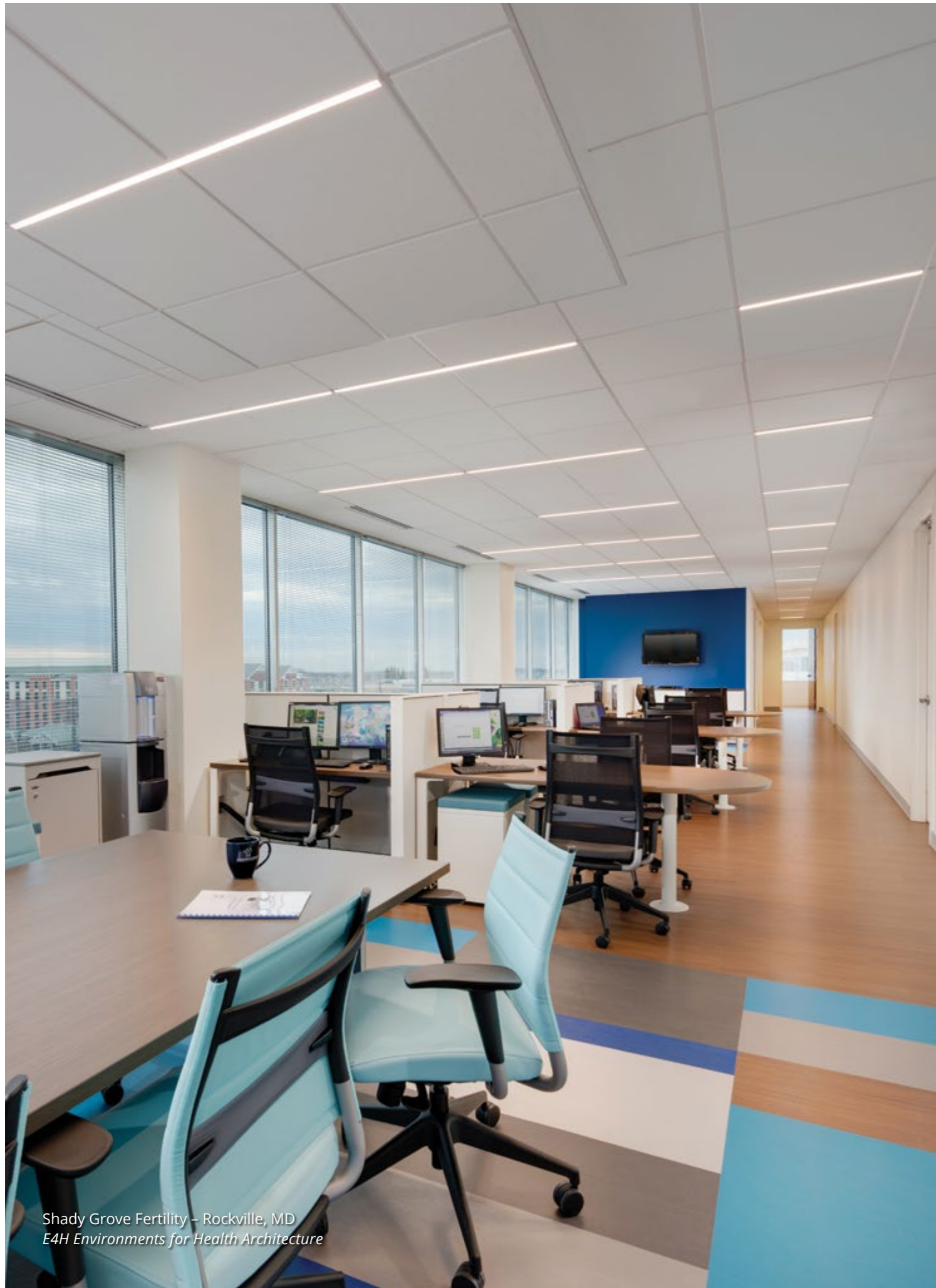
JLC-Tech Products



T-BAR LED™

JLC-Tech was founded in 2010 with one singular vision: to create unique and useful LED lighting fixtures. Our flagship product, the T-BAR LED™, is the manifestation of our mission and dedication. Offered in numerous optic options to suit any application, the T-BAR LED provides a simple solution for your next lighting project.





Shady Grove Fertility - Rockville, MD
E4H Environments for Health Architecture

Diffusing Lens

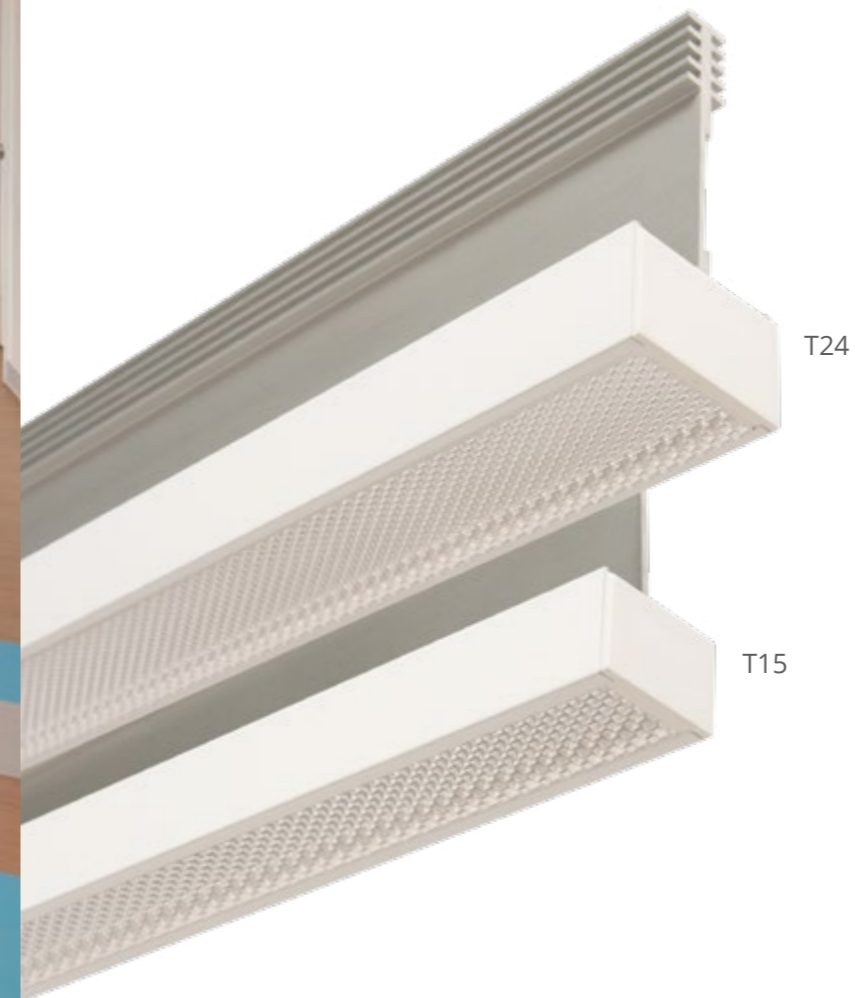
T24 and T15

PRODUCT CONCEPT

T-BAR LED with diffusing lens for direct lighting is equipped with a 95%-clear micro prismatic lens for controlled distribution: A clever choice for illuminating spaces with a lighting fixture that blends with the architectural design of your ceiling, simultaneously creating an elegantly stunning light effect. Perfect for corporate offices, medical/health, educational facilities and more.

DESCRIPTION

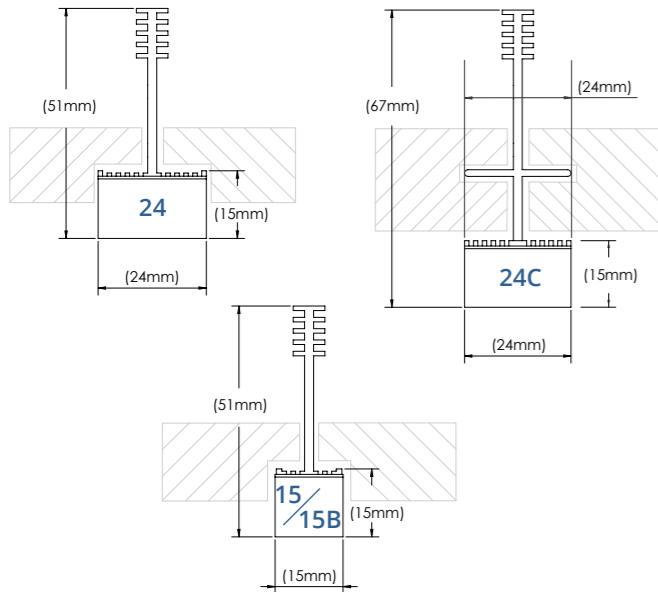
Anodized and painted aluminum extruded body, steel mounting clips, white PC end caps, high transmitting acrylic lens with micro prisms for a low-glare effect.



Product Name	Type of LED/K Color	Size	Grid Type	Optic	Mounting Clips	Color
TBSL = T-BAR LED	HW = Warm White 3000K MW = Medium Warm 3500K MN = Medium Neutral 4000K HN = Neutral White 4500K TU = Tunable White 2700-5000K	6 = 600mm 12 = 1200mm 12L = 1200mm L 6G = 625mm 12G = 1250mm 12GL = 1250mm L	24 = T24 15 = T15 15B = T15 Bolt Slot 24C = T24 Partially Concealed Grid	D = Diffusing Lens	U = Universal A = Armstrong C = Custom	W = White C = Custom

Patent No. 8,177,385; 9,879,850; D834,239; 178047. Additional patents are pending.

Profile Dimensions

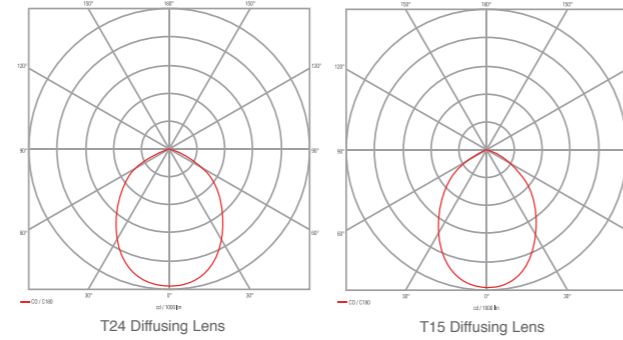


CRI = >82 L₈₀ > 60K hrs IP40

LIGHT OUTPUT:

24mm – 584lm/300mm
75lm/W

15mm – 445lm/300mm
54lm/W



NOTES:

T-BAR LED modules can be parallel connected up to 3.6 linear meters max per power supply. Remote power supply includes JB compartment for AC input direct wiring with conduit. Max distance from power supply to fixtures is 9 meters with 0.75mm² wire. Longer distance achievable if using higher gauge wire.

APPLICATIONS:

Executive, Medical, Health, Educational, Retail, Hotels, Airport, Hospitality and any open space areas that require a unique and elegant architectural lighting design.

MOUNTING:

Universal mounting brackets are for easy installation to standard T24 or T15 T-Bars of most manufacturers' ceiling suspension systems. Armstrong compatible mounting clips for installation with Armstrong Ceiling T24 Prelude® and Clean Room™, T15 Suprafine®, Silhouette®, Sonata® and Interlude® suspension systems.

MATERIALS:

Anodized and painted aluminum extruded body, steel mounting clips, white PC end caps, high transmitting acrylic PMMA lens.

ELECTRIC:

High output LEDs consume 16W total (600mm) or 32W total (1200mm). Power supply consumption not included. Input voltage 24VDC. Class 2 plenum rated cables at each end equipped with quick connectors to allow multiple modules to be easily connected together (max 3.6 linear meters of product). Use solid copper wire or wire ferrules to fit into quick connectors.

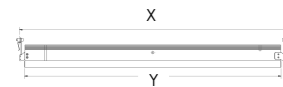
WARRANTY:

5 years

LISTINGS:

ETL/cETLus CE RoHS. Indoor use only.

Length Dimensions



Size	Grid Type	X	Y
6 = 600mm	24 = T24	600mm	576mm
12 = 1200mm	24 = T24	1200mm	1176mm
12L = 1200mm L	24 = T24	1200mm	600mm
6 = 600mm	15 = T15	600mm	585mm
12 = 1200mm	15 = T15	1200mm	1185mm
12L = 1200mm L	15 = T15	1200mm	600mm

German Length Dimensions

Size	Grid Type	X	Y
6G = 625mm	24 = T24	625mm	601mm
12G = 1250mm	24 = T24	1250mm	1226mm
12GL = 1250mm L	24 = T24	1250mm	625mm
6G = 625mm	15 = T15	625mm	610mm
12G = 1250mm	15 = T15	1250mm	1235mm
12GL = 1250mm L	15 = T15	1250mm	625mm



Rhode Island College, Gaige Hall – Providence, RI
LLB Architects / Abernathy Lighting Design



INASMUCH Foundation Collaborative Learning Center
University of Oklahoma Library - Norman, OK
Krittenbrink Architecture

Cut-Off Reflector

T24

PRODUCT CONCEPT

T-BAR LED with full cut-off reflector over each LED combines the best high power LED technology with a sleek architectural design offering zero reflectance glare from the ceiling: A great choice for applications where a concentrated angle of light is desired on task areas or table top surfaces.

DESCRIPTION

Anodized and painted aluminum extruded body, steel mounting clips, white PC end caps, high reflectance 98% aluminum-coated or white or black PC reflectors on each LED for an intense direct and dark-light effect.



T24

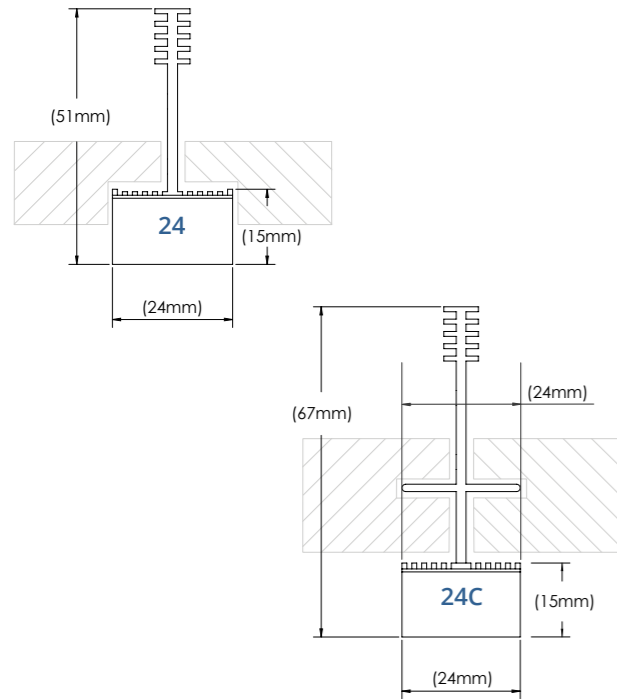
Optic Options



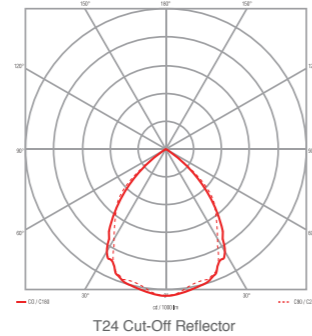
Product Name	Type of LED/K Color	Size	Grid Type	Optic	Mounting Clips	Color
TBSL = T-BAR LED	HW = Warm White 3000K MW = Medium Warm 3500K MN = Medium Neutral 4000K HN = Neutral White 4500K	6 = 600mm 12 = 1200mm 12L = 1200mm L 6G = 625mm 12G = 1250mm 12GL = 1250mm L	24 = T24 24C = T24 Partially Concealed Grid	C = Cut-Off Reflector CWH = White Cut-Off Reflector CBL = Black Cut-Off Reflector	U = Universal A = Armstrong C = Custom	W = White C = Custom

Patent No. 8,177,385; 9,879,850; D834,239; 178047. Additional patents are pending.

Profile Dimensions



CRI = >82 L₈₀ > 60K hrs IP20
LIGHT OUTPUT: (C Optic) metalized finish
 623lm/300mm
 75lm/W



NOTES:

T-BAR LED modules can be parallel connected up to 3.6 linear meters max per power supply. Remote power supply includes JB compartment for AC input direct wiring with metal conduit. Max distance from power supply to fixtures is 9 meters with 0.75mm² wire. Longer distance achievable if using higher gauge wire.

APPLICATIONS:

Executive, Medical, Health, Educational, Retail, Hotels, Airport, Hospitality and any open space areas that require a unique and elegant architectural lighting design.

MOUNTING:

Universal mounting brackets are for easy installation to standard T24 T-Bars of most manufacturers' ceiling suspension systems. Armstrong compatible mounting clips for installation with Armstrong Ceiling T24 Prelude® and Clean Room™ suspension systems.

MATERIALS:

Anodized and painted aluminum extruded body, steel mounting clips, white PC end caps, high reflectance 98% aluminum coated or white or black PC reflectors on each LED for a dark light effect.

ELECTRIC:

High output LEDs consume 16W total (600mm) or 32W total (1200mm). Power supply consumption not included. Input voltage 24VDC. Class 2 plenum rated cables at each end equipped with quick connectors to allow multiple modules to be easily connected together (max 3.6 linear meters of product). Use solid copper wire or wire ferrules to fit into quick connectors.

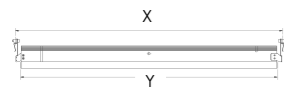
WARRANTY:

5 years

LISTINGS:

ETL/cETLus CE RoHS. Indoor use only.

Length Dimensions



Size	Grid Type	X	Y
6 = 600mm	24 = T24	600mm	576mm
12 = 1200mm	24 = T24	1200mm	1176mm
12L = 1200mm L	24 = T24	1200mm	600mm

German Length Dimensions

Size	Grid Type	X	Y
6G = 625mm	24 = T24	625mm	601mm
12G = 1250mm	24 = T24	1250mm	1226mm
12GL = 1250mm L	24 = T24	1250mm	625mm



Advent International – Boston, MA
 Ripman Lighting Consultants / Visnick & Caulfield Associates, Inc.



Multi-Reflector

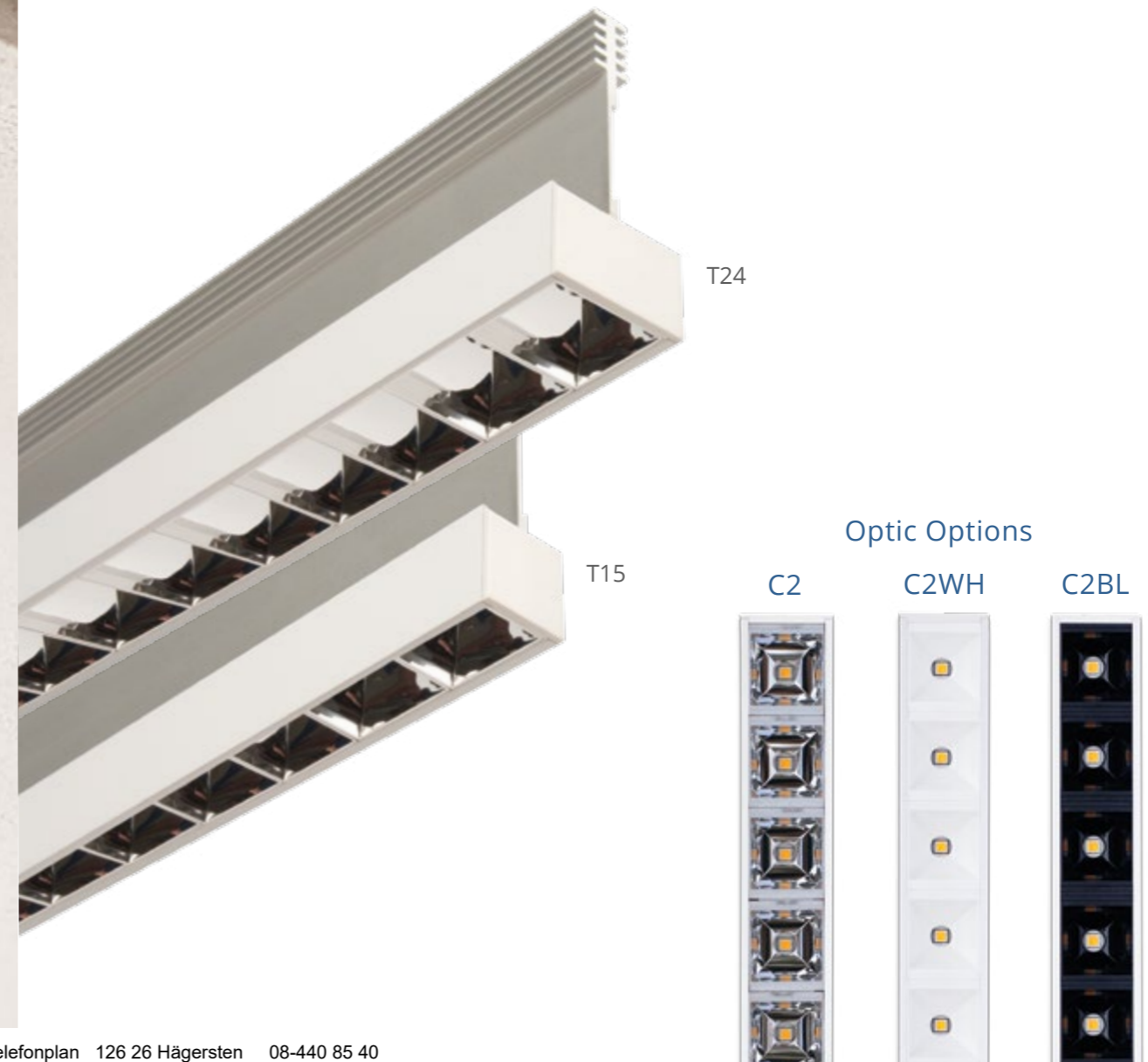
T24 and T15

PRODUCT CONCEPT

T-BAR LED with full cut-off reflector over each LED and tighter LED spacing for luminance sensitive applications. Ideal for areas with strict glare requirements, while still offering the benefits of a concentrated angle of light on desired task areas.

DESCRIPTION

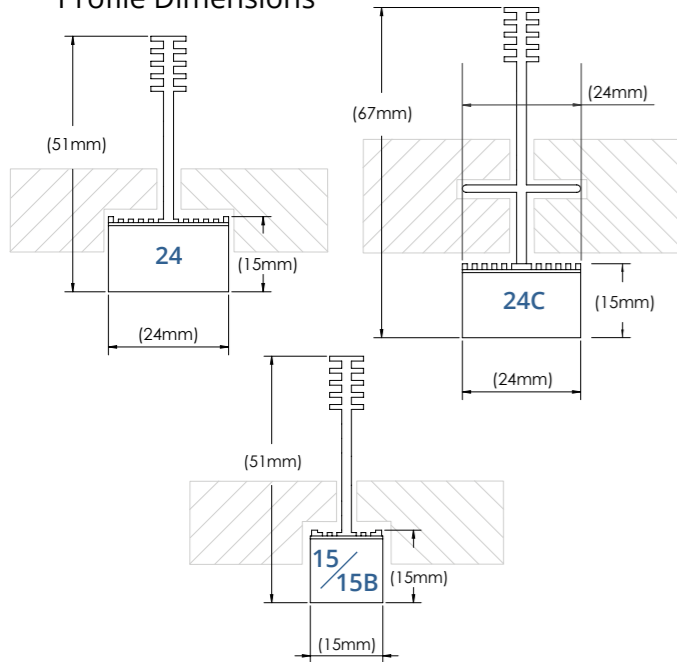
Anodized and painted aluminum extruded body, steel mounting clips, white PC end caps, high reflectance 98% aluminum-coated or white or black PC reflectors on each LED for an intense direct and dark-light effect.



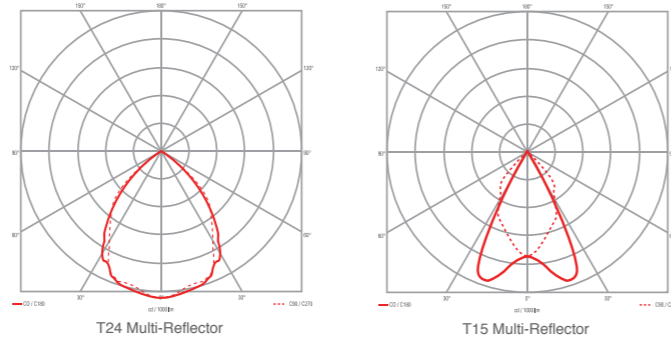
Product Name	Type of LED/K Color	Size	Grid Type	Optic	Mounting Clips	Color
TBSL = T-BAR LED	HW = Warm White 3000K MW = Medium Warm 3500K MN = Medium Neutral 4000K HN = Neutral White 4500K	6 = 600mm 12 = 1200mm 12L = 1200mm L 6G = 625mm 12G = 1250mm 12GL = 1250mm L	24 = T24 15 = T15 15B = T15 Bolt Slot 24C = T24 Partially Concealed Grid	C2 = Multi-Reflector C2WH = White Multi-Reflector C2BL = Black Multi-Reflector	U = Universal A = Armstrong C = Custom	W = White C = Custom

Patent No. 8,177,385; 9,879,850; D834,239; 178047. Additional patents are pending.

Profile Dimensions



CRI = >82 L₈₀ > 60K hrs IP20
LIGHT OUTPUT: (C2 Optic) metalized finish
 24mm - 784lm/300mm 15mm - 769lm/300mm
 100.1lm/W 98lm/W



NOTES:

T-BAR LED modules can be parallel connected up to 3.6 linear meters max per power supply. Remote power supply includes JB compartment for AC input direct wiring with conduit. Max distance from power supply to fixtures is 9 meters with 0.75mm² wire. Longer distance achievable if using higher gauge wire.

APPLICATIONS:

Executive, Medical, Health, Educational, Retail, Hotels, Airport, Hospitality and any open space areas that require a unique and elegant architectural lighting design.

MOUNTING:

Universal mounting brackets are for easy installation to standard T24 or T15 T-Bars of most manufacturers' ceiling suspension systems. Armstrong compatible mounting clips for installation with Armstrong Ceiling T24 Prelude® and Clean Room™, T15 Suprafine®, Silhouette®, Sonata® and Interlude® suspension systems.

MATERIALS:

Anodized and painted aluminum extruded body, steel mounting clips, white PC end caps, high reflectance 98% aluminum coated or white or black PC reflectors on each LED for a dark light effect.

ELECTRIC:

High output LEDs consume 16W total (600mm) or 32W total (1200mm). Power supply consumption not included. Input voltage 24VDC. Class 2 plenum rated cables at each end equipped with quick connectors to allow multiple modules to be easily connected together (max 3.6 linear meters of product). Use solid copper wire or wire ferrules to fit into quick connectors.

WARRANTY:

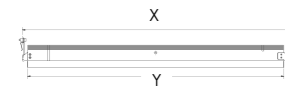
5 years

LISTINGS:

ETL/cETLus CE RoHS. Indoor use only.



Length Dimensions



Size	Grid Type	X	Y
6 = 600mm	24 = T24	600mm	576mm
12 = 1200mm	24 = T24	1200mm	1176mm
12L = 1200mm L	24 = T24	1200mm	600mm
6 = 600mm	15 = T15	600mm	585mm
12 = 1200mm	15 = T15	1200mm	1185mm
12L = 1200mm L	15 = T15	1200mm	600mm

German Length Dimensions

Size	Grid Type	X	Y
6G = 625mm	24 = T24	625mm	601mm
12G = 1250mm	24 = T24	1250mm	1226mm
12GL = 1250mm L	24 = T24	1250mm	625mm
6G = 625mm	15 = T15	625mm	610mm
12G = 1250mm	15 = T15	1250mm	1235mm
12GL = 1250mm L	15 = T15	1250mm	625mm



George Bush Intercontinental Airport, United Terminal C North Concourse – Houston, TX
 HLB Lighting Design / Pierce Goodwin Alexander & Linville



Private Office – Boston, MA

Asymmetric

T24 and T15

PRODUCT CONCEPT

T-BAR LED with asymmetric lens is designed with a shielded profile on one side and a micro-ribbed asymmetrical lens that allows for full wall illumination, ceiling to floor. This is a perfect minimalistic solution for achieving the desired wall washing effects without seeing the light source from the opposite side.

DESCRIPTION

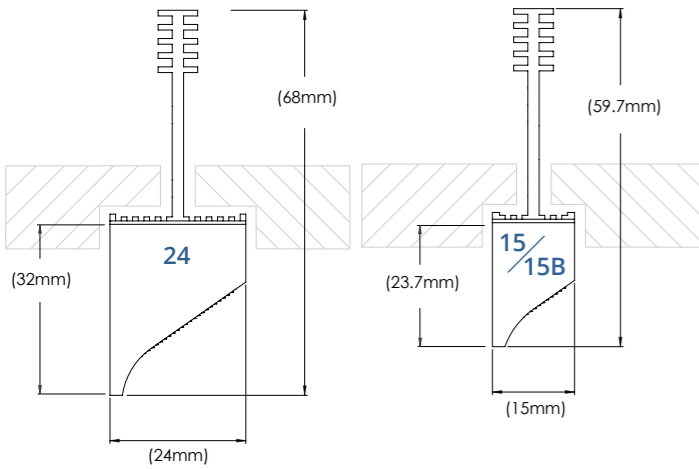
Anodized and painted aluminum extruded body, steel mounting clips, white PC end caps, high transmitting acrylic lens with asymmetric micro-ribbed lines for wall wash illumination.



Product Name	Type of LED/K Color	Size	Grid Type	Optic	Mounting Clips	Color
TBSL = T-BAR LED	HW = Warm White 3000K MW = Medium Warm 3500K MN = Medium Neutral 4000K HN = Neutral White 4500K TU = Tunable White 2700-5000K	6 = 600mm 12 = 1200mm 12L = 1200mm L 6G = 625mm 12G = 1250mm 12GL = 1250mm L	24 = T24 15 = T15 15B = T15 Bolt Slot	A2 = Asymmetric	U = Universal A = Armstrong C = Custom	W = White C = Custom

Patent No. 8,177,385; 9,879,850; D834,238; 178048. Additional patents are pending.

Profile Dimensions

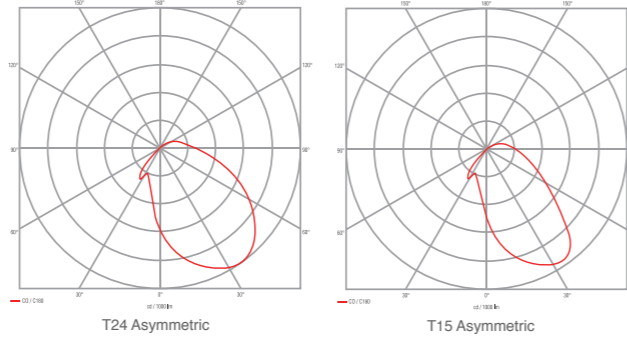


CRI = >82 L₈₀ > 60K hrs IP40

LIGHT OUTPUT:

24mm – 582lm/300mm
75lm/W

15mm – 484lm/300mm
62lm/W



NOTES:

T-BAR LED modules can be parallel connected up to 3.6 linear meters max per power supply. Remote power supply includes JB compartment for AC input direct wiring with conduit. Max distance from power supply to fixtures is 9 meters with 0.75mm² wire. Longer distance achievable if using higher gauge wire.

APPLICATIONS:

Wall washing for Executive, Medical, Health, Educational, Retail, Hotels, Airport, Hospitality and any open space areas that require a unique and elegant architectural lighting design.

MOUNTING:

Universal mounting brackets are for easy installation to standard T24 or T15 T-Bars of most manufacturers' ceiling suspension systems. Armstrong compatible mounting clips for installation with Armstrong Ceiling T24 Prelude® and Clean Room™, T15 Suprafine®, Silhouette®, Sonata® and Interlude® suspension systems.

MATERIALS:

Anodized and painted aluminum extruded body, steel mounting clips, white PC end caps, high transmitting acrylic PMMA lens.

ELECTRIC:

High output LEDs consume 16W total (600mm) or 32W total (1200mm). Power supply consumption not included. Input voltage 24VDC. Class 2 plenum rated cables at each end equipped with quick connectors to allow multiple modules to be easily connected together (max 3.6 linear meters of product). Use solid copper wire or wire ferrules to fit into quick connectors.

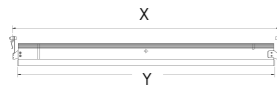
WARRANTY:

5 years

LISTINGS:

ETL/cETLus CE RoHS. Indoor use only.

Length Dimensions



Size	Grid Type	X	Y
6 = 600mm	24 = T24	600mm	576mm
12 = 1200mm	24 = T24	1200mm	1176mm
12L = 1200mm L	24 = T24	1200mm	600mm
6 = 600mm	15 = T15	600mm	585mm
12 = 1200mm	15 = T15	1200mm	1185mm
12L = 1200mm L	15 = T15	1200mm	600mm

German Length Dimensions

Size	Grid Type	X	Y
6G = 625mm	24 = T24	625mm	601mm
12G = 1250mm	24 = T24	1250mm	1226mm
12GL = 1250mm L	24 = T24	1250mm	625mm
6G = 625mm	15 = T15	625mm	610mm
12G = 1250mm	15 = T15	1250mm	1235mm
12GL = 1250mm L	15 = T15	1250mm	625mm



Private Office – Boston, MA



American National Red Cross - Washington, D.C.
HOK / LOOP Lighting

Block Clear Diffusing Lens

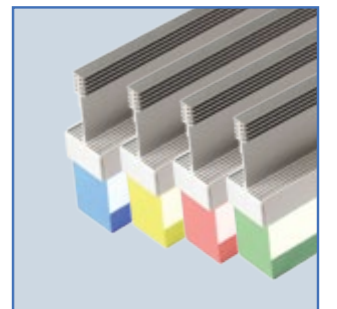
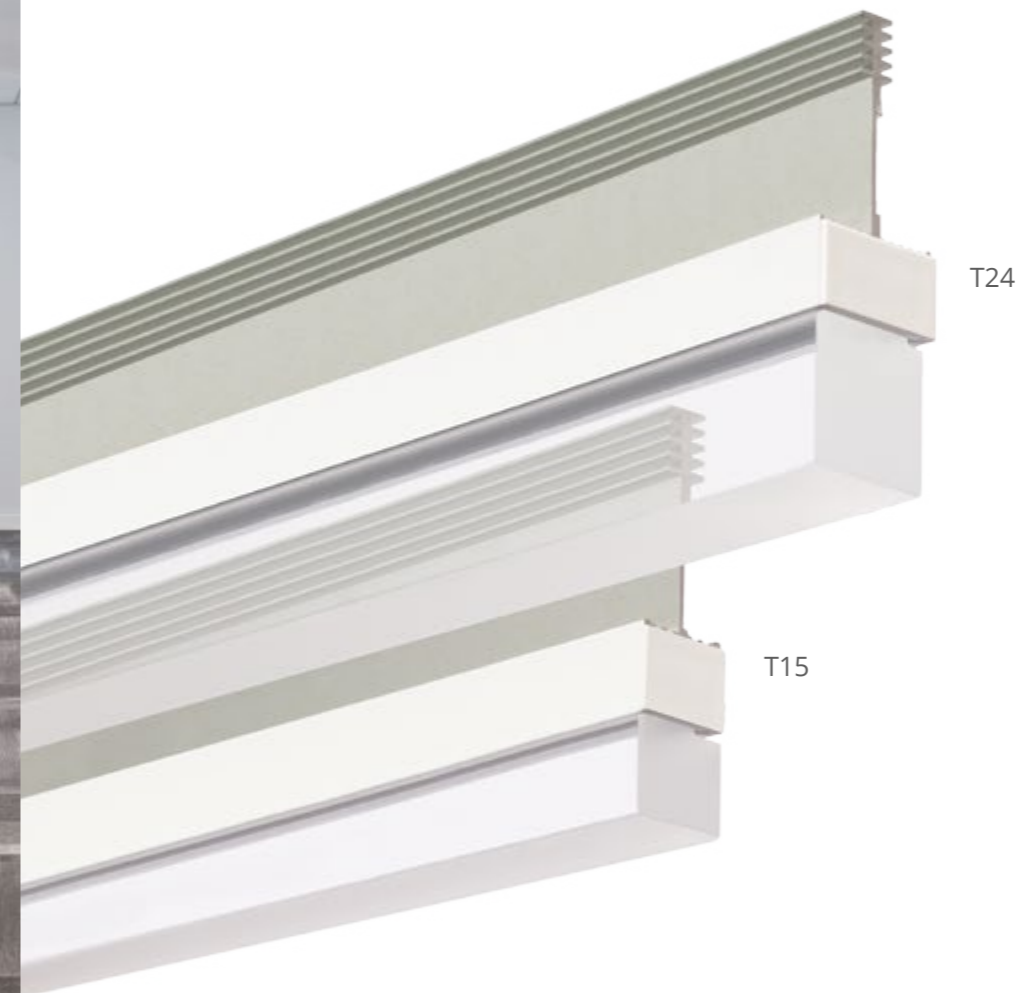
T24 and T15

PRODUCT CONCEPT

T-BAR LED with acrylic block diffuser has an added unique combination of direct and indirect illumination. Designed with satin edges and clear sides, this model creates a particular architectural statement while distributing the lumens over the entire space. Create an array of linear geometrical light patterns or use this as an accent light for special decorative projects.

DESCRIPTION

Anodized and painted aluminum extruded body, steel mounting clips, white PC end caps, acrylic block diffusing lens, satin edges and clear sides, to allow the light to diffuse for a direct and indirect lighting combination.

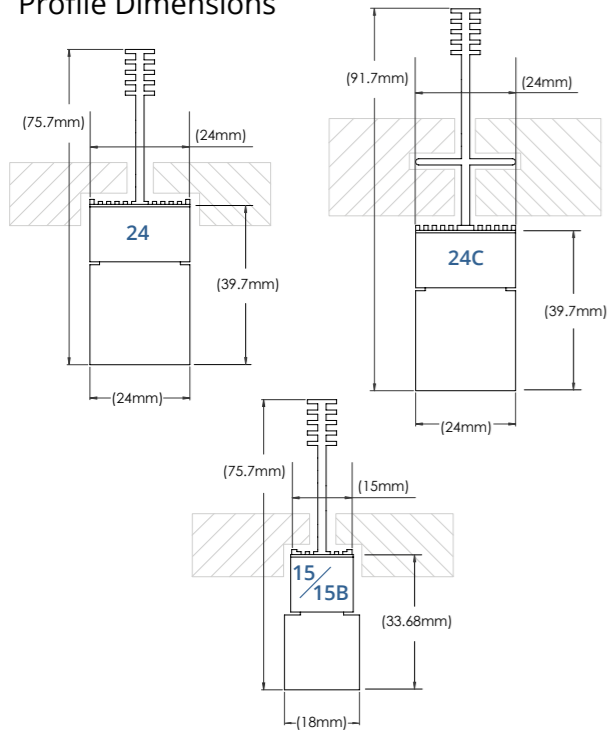


COLORED FILTER
for monochromatic affect
Special acrylic sizes and
color filters available on
request, consult factory

Product Name	Type of LED/K Color	Size	Grid Type	Optic	Mounting Clips	Color
TBSL = T-BAR LED	HW = Warm White 3000K MW = Medium Warm 3500K MN = Medium Neutral 4000K HN = Neutral White 4500K TU = Tunable White 2700-5000K	6 = 600mm 12 = 1200mm 12L = 1200mm L 6G = 625mm 12G = 1250mm 12GL = 1250mm L	24 = T24 15 = T15 15B = T15 Bolt Slot 24C = T24 Partially Concealed Grid	B = Block Clear Diffusing Lens	U = Universal A = Armstrong C = Custom	W = White C = Custom

Patent No. 8,177,385; 9,879,850; D834,239; 178047. Additional patents are pending.

Profile Dimensions

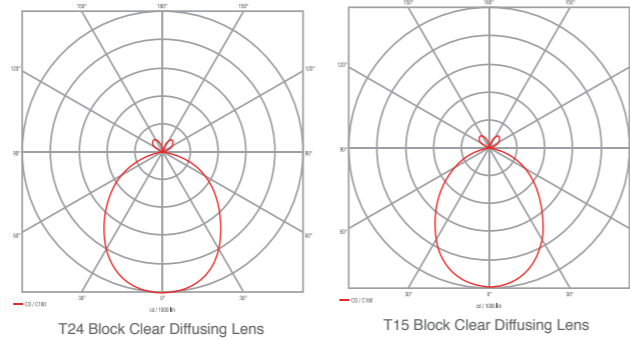


CRI = >82 L₈₀ > 60K hrs IP40

LIGHT OUTPUT:

24mm - 564lm/300mm
72lm/W

9/16" - 438lm/300mm
56lm/W



NOTES:

T-BAR LED modules can be parallel connected up to 3.6 linear meters max per power supply. Remote power supply includes JB compartment for AC input direct wiring with conduit. Max distance from power supply to fixtures is 9 meters with 0.75mm² wire. Longer distance achievable if using higher gauge wire. Color filters and/or special acrylic sizes available on request, consult factory.

APPLICATIONS:

Executive, Medical, Health, Educational, Retail, Hotels, Airport, Hospitality and any open space areas that require a unique and elegant architectural lighting design.

MOUNTING:

Universal mounting brackets are for easy installation to standard T24 or T15 T-Bars of most manufacturers' ceiling suspension systems. Armstrong compatible mounting clips for installation with Armstrong Ceiling T24 Prelude® and Clean Room™, T15 Suprafine®, Silhouette®, Sonata® and Interlude® suspension systems.

MATERIALS:

Anodized and painted aluminum extruded body, steel mounting clips, white PC end caps, high transmitting acrylic PMMA lens.

ELECTRIC:

High output LEDs consume 16W total (600mm) or 32W total (1200mm). Power supply consumption not included. Input voltage 24VDC. Class 2 plenum rated cables at each end equipped with quick connectors to allow multiple modules to be easily connected together (max 3.6 linear meters of product). Use solid copper wire or wire ferrules to fit into quick connectors.

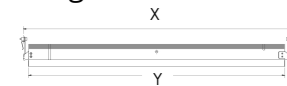
WARRANTY:

5 years

LISTINGS:

ETL/cETLus CE RoHS. Indoor use only.

Length Dimensions



Size	Grid Type	X	Y
6 = 600mm	24 = T24	600mm	576mm
12 = 1200mm	24 = T24	1200mm	1176mm
12L = 1200mm L	24 = T24	1200mm	600mm
6 = 600mm	15 = T15	600mm	585mm
12 = 1200mm	15 = T15	1200mm	1185mm
12L = 1200mm L	15 = T15	1200mm	600mm

German Length Dimensions

Size	Grid Type	X	Y
6G = 625mm	24 = T24	625mm	601mm
12G = 1250mm	24 = T24	1250mm	1226mm
12GL = 1250mm L	24 = T24	1250mm	625mm
6G = 625mm	15 = T15	625mm	610mm
12G = 1250mm	15 = T15	1250mm	1235mm
12GL = 1250mm L	15 = T15	1250mm	625mm



American Beverage Association - Washington, D.C.
FOX Architects



DPR Construction - Orlando, FL
Little Diversified Architectural Consulting

Block Frosted Diffusing Lens

T24 and T15

PRODUCT CONCEPT

T-BAR LED with white frosted block lens is designed with all white frosted edges and sides. This model creates an elegant even glow of light with a 180 degree light distribution.

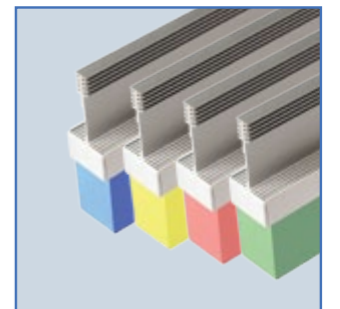
DESCRIPTION

Anodized and painted aluminum extruded body, steel mounting clips, white PC end caps, acrylic block diffusing lens, white frosted edges and sides, to allow the light to diffuse in all directions.



T24

T15

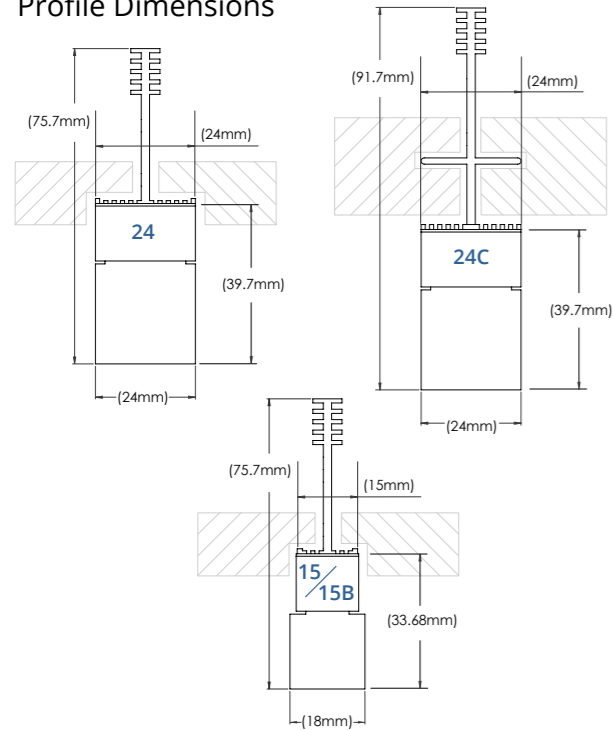


COLORED FILTER
for monochromatic affect
Special acrylic sizes and
color filters available on
request, consult factory

Product Name	Type of LED/K Color	Size	Grid Type	Optic	Mounting Clips	Color
TBSL = T-BAR LED	HW = Warm White 3000K MW = Medium Warm 3500K MN = Medium Neutral 4000K HN = Neutral White 4500K TU = Tunable White 2700-5000K	6 = 600mm 12 = 1200mm 12L = 1200mm L 6G = 625mm 12G = 1250mm 12GL = 1250mm L	24 = T24 15 = T15 15B = T15 Bolt Slot 24C = T24 Partially Concealed Grid	B2 = Block Frosted Diffusing Lens	U = Universal A = Armstrong C = Custom	W = White C = Custom

Patent No. 8,177,385; 9,879,850; D834,239; 178047. Additional patents are pending.

Profile Dimensions

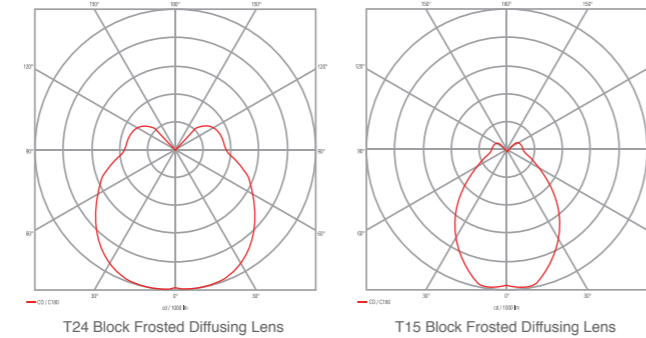


CRI = >82 L₈₀ > 60K hrs IP40

LIGHT OUTPUT:

24mm - 586lm/300mm
75lm/W

15mm - 460lm/300mm
59lm/W



NOTES:

T-BAR LED modules can be parallel connected up to 3.6 linear meters max per power supply. Remote power supply includes JB compartment for AC input direct wiring with conduit. Max distance from power supply to fixtures is 9 meters with 0.75mm² wire. Longer distance achievable if using higher gauge wire. Color filters and/or special acrylic sizes available on request, consult factory.

APPLICATIONS:

Executive, Medical, Health, Educational, Retail, Hotels, Airport, Hospitality and any open space areas that require a unique and elegant architectural lighting design.

MOUNTING:

Universal mounting brackets are for easy installation to standard T24 or T15 T-Bars of most manufacturers' ceiling suspension systems. Armstrong compatible mounting clips for installation with Armstrong Ceiling T24 Prelude® and Clean Room™, T15 Suprafine®, Silhouette®, Sonata® and Interlude® suspension systems.

MATERIALS:

Anodized and painted aluminum extruded body, steel mounting clips, white PC end caps, high transmitting acrylic PMMA lens.

ELECTRIC:

High output LEDs consume 16W total (600mm) or 32W total (1200mm). Power supply consumption not included. Input voltage 24VDC. Class 2 plenum rated cables at each end equipped with quick connectors to allow multiple modules to be easily connected together (max 3.6 linear meters of product). Use solid copper wire or wire ferrules to fit into quick connectors.

WARRANTY:

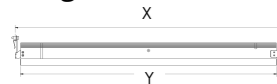
5 years

LISTINGS:

ETL/cETLus CE RoHS. Indoor use only.



Length Dimensions



Size	Grid Type	X	Y
6 = 600mm	24 = T24	600mm	576mm
12 = 1200mm	24 = T24	1200mm	1176mm
12L = 1200mm L	24 = T24	1200mm	600mm
6 = 600mm	15 = T15	600mm	585mm
12 = 1200mm	15 = T15	1200mm	1185mm
12L = 1200mm L	15 = T15	1200mm	600mm

German Length Dimensions

Size	Grid Type	X	Y
6G = 625mm	24 = T24	625mm	601mm
12G = 1250mm	24 = T24	1250mm	1226mm
12GL = 1250mm L	24 = T24	1250mm	625mm
6G = 625mm	15 = T15	625mm	610mm
12G = 1250mm	15 = T15	1250mm	1235mm
12GL = 1250mm L	15 = T15	1250mm	625mm



Arizona State University, Murdock Hall - Tempe, AZ
Larson Associates Architects



Bob Swope Ford Dealership – Elizabethtown, KY
Engineered Lighting Sales, Inc.

T-BAR LED with Directional Sign

T24 and T15

PRODUCT CONCEPT

The T-BAR LED Directional Sign is made of PMMA acrylic with diffusing edges to allow for the double function of lighting device and signage. This is a great solution for customized signage that also maintains a modern uniform lighting design throughout the architectural space.

DESCRIPTION

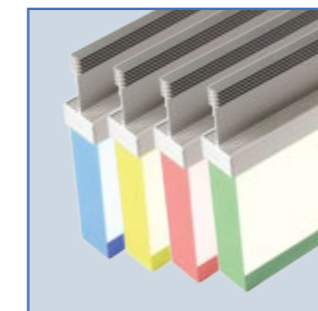
Anodized and painted aluminum extruded body, steel mounting clips, white PC end caps, acrylic block, satin edges and clear sides, to allow the light to diffuse. Laser etched letters or logos as per customer request. Custom sizes and colors available upon request.



Logan Building – Seattle, WA
DLR Group



COLORED FILTER
for monochromatic affect



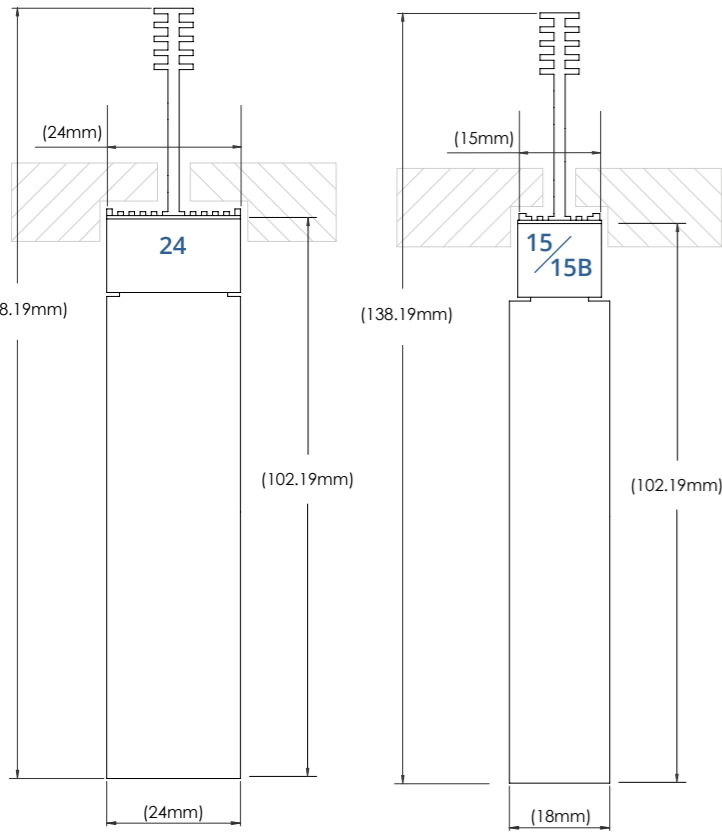
WHITE FROSTED ACRYLIC
all sides satin frosted



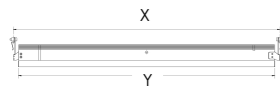
Product Name	Type of LED/K Color	Size	Grid Type	Optic	Mounting Clips	Color
TBSL = T-BAR LED	HW = Warm White 3000K	6 = 600mm	24 = T24	S = Acrylic Signage	U = Universal A = Armstrong C = Custom	W = White C = Custom
	MW = Medium Warm 3500K	12 = 1200mm	15 = T15			
	MN = Medium Neutral 4000K	12L = 1200mm L	15B = T15 Bolt Slot			
	HN = Neutral White 4500K	6G = 625mm	24C = T24 Partially Concealed Grid			
	TU = Tunable White 2700-5000K	12G = 1250mm				
		12GL = 1250mm L				

Patent No. 8,177,385; 9,879,850; D834,239; 178047. Additional patents are pending.

Profile Dimensions



Length Dimensions



Size	Grid Type	X	Y
6 = 600mm	24 = T24	600mm	576mm
12 = 1200mm	24 = T24	1200mm	1176mm
12L = 1200mm L	24 = T24	1200mm	600mm
6 = 600mm	15 = T15	600mm	585mm
12 = 1200mm	15 = T15	1200mm	1185mm
12L = 1200mm L	15 = T15	1200mm	600mm

CRI = >82 L₈₀ > 60K hrs IP40

NOTES:

T-BAR LED modules can be parallel connected up to 3.6 linear meters max per power supply. Remote power supply includes JB compartment for AC input direct wiring with conduit. Max distance from power supply to fixtures is 9 meters with 0.75mm² wire. Longer distance achievable if using higher gauge wire. Color filters and/or special acrylic sizes available on request, consult factory.

APPLICATIONS:

Executive, Medical, Health, Educational, Retail, Hotels, Airport, Hospitality and any open space areas that require a unique and elegant architectural lighting design.

MOUNTING:

Universal mounting brackets are for easy installation to standard T24 or T15 T-Bars of most manufacturers' ceiling suspension systems. Armstrong compatible mounting clips for installation with Armstrong Ceiling T24 Prelude® and Clean Room™, T15 Suprafine®, Silhouette®, Sonata® and Interlude® suspension systems.

MATERIALS:

Anodized and painted aluminum extruded body, steel mounting clips, white PC end caps, high transmitting etched acrylic PMMA lens.

ELECTRIC:

High output LEDs consume 16W total (600mm) or 32W total (1200mm). Power supply consumption not included. Input voltage 24VDC. Class 2 plenum rated cables at each end equipped with quick connectors to allow multiple modules to be easily connected together (max 3.6 linear meters of product). Use solid copper wire or wire ferrules to fit into quick connectors.

WARRANTY:

5 years

LISTINGS:

ETL/cETLus CE RoHS. Indoor use only.



German Length Dimensions

Size	Grid Type	X	Y
6G = 625mm	24 = T24	625mm	601mm
12G = 1250mm	24 = T24	1250mm	1226mm
12GL = 1250mm L	24 = T24	1250mm	625mm
6G = 625mm	15 = T15	625mm	610mm
12G = 1250mm	15 = T15	1250mm	1235mm
12GL = 1250mm L	15 = T15	1250mm	625mm

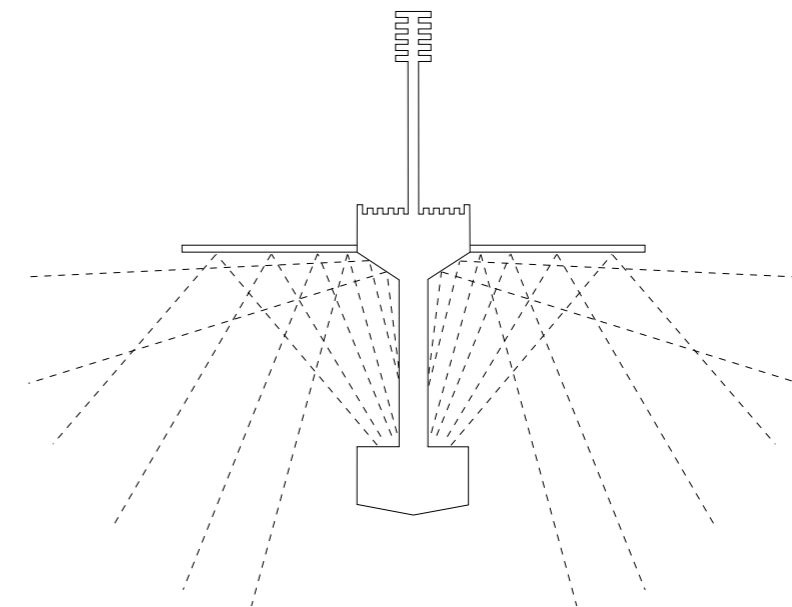


220 Portage Ave. – Winnipeg, MB Canada
Raymond SC Wan Architects

T-BAR UP™



The first indirect lighting product of its kind, the T-BAR UP is ideal for open-office plans and other spaces where a sleek modern design is desired. Offering fully indirect light while only extending 5cm out from the ceiling plane, the low profile of the T-BAR UP enhances the interior architecture while also conserving ceiling plenum space. Utilizing JLC-Tech's patented technology, it can be installed simply by replacing the cross tees in a suspended grid ceiling. Its unique design reduces direct lighting glare providing a great solution to help meet the luminance requirement for LEED V4 and WELL Standard.



T-BAR UP

T24 and T15

PRODUCT CONCEPT

The T-BAR UP provides ambient uplight while only extending 5cm below the ceiling plane. With built-in shielding for maximum light reflectance into the room, T-BAR UP can be installed into any suspended grid ceiling enhancing the architecture while also providing a more spatial effect.

DESCRIPTION

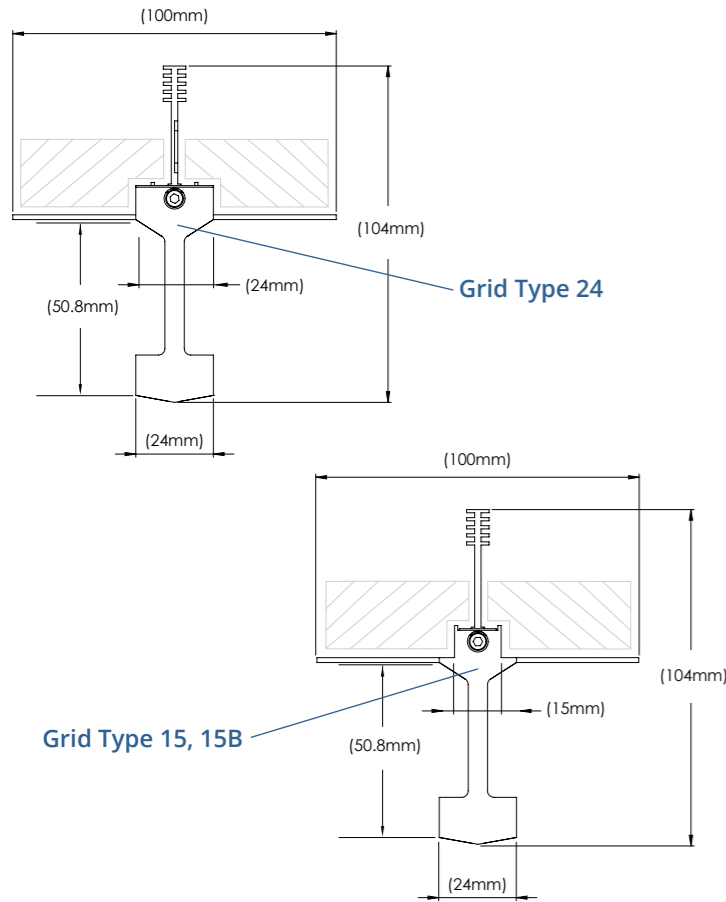
Anodized and painted aluminum extruded body, steel mounting clips, powder coated aluminum end caps, high transmitting acrylic PMMA lens.



Product Name	Type of LED/K Color	Size	Grid Type	Optic	Mounting Clips	Color
TBUP = T-BAR UP	HW = Warm White 3000K	6 = 600mm	24 = T24	IN = Indirect	U = Universal	W = White
	MW = Medium Warm 3500K	12 = 1200mm	15 = T15		A = Armstrong	C = Custom
	MN = Medium Neutral 4000K	6G = 625mm	15B = T15 Bolt slot		C = Custom	
	HN = Neutral White 4500K	12G = 1250mm				
	TU = Tunable White 2700-5000K					

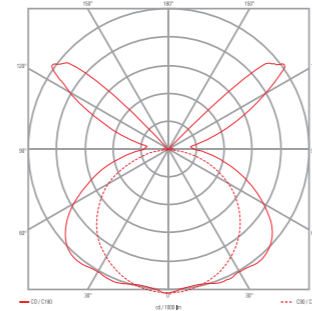
Patent No. 8,177,385; 9,879,850; 10,145,536. Additional patents are pending.

Profile Dimensions



CRI = >82 L₈₀ > 60K hrs IP40

LIGHT OUTPUT:
584lm/300mm
77lm/W



NOTES:

T-BAR LED modules can be parallel connected up to 3.6 linear meters max per power supply. Remote power supply includes JB compartment for AC input direct wiring with metal conduit. Max distance from power supply to fixtures is 9 meters with 0.75mm² wire. Longer distance achievable if using higher gauge wire.

APPLICATIONS:

Executive, Medical, Health, Educational, Retail, Hotels, Airport, Hospitality and any open space areas that require a unique and elegant architectural lighting design.

MOUNTING:

Universal mounting brackets are for easy installation to standard T24 or T15 T-Bars of most manufacturers' ceiling suspension systems. Armstrong compatible mounting clips for installation with Armstrong Ceiling T24 Prelude® and Clean Room™, T15 Suprafine®, Silhouette®, Sonata® and Interlude® suspension systems.

MATERIALS:

Anodized and painted aluminum extruded body, steel mounting clips, powder coated aluminum end caps, high transmitting acrylic PMMA lens.

ELECTRIC:

High output LEDs consume 16W total (600mm) or 32W total (1200mm). Power supply consumption not included. Input voltage 24VDC. Class 2 plenum rated cables at each end equipped with quick connectors to allow multiple modules to be easily connected together (max 3.6 linear meters of product). Use solid copper wire or wire ferrules to fit into quick connectors.

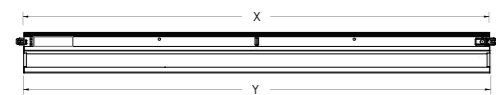
WARRANTY:

5 years

LISTINGS:

ETL/cETLus CE RoHS. Indoor use only.

Length Dimensions



Size	Grid Type	X	Y
6 = 600mm	24 = T24	600mm	576mm
12 = 1200mm	24 = T24	1200mm	1176mm
6 = 600mm	15 = T15	600mm	585mm
12 = 1200mm	15 = T15	1200mm	1185mm

German Length Dimensions

Size	Grid Type	X	Y
6G = 625mm	24 = T24	625mm	601mm
12G = 1250mm	24 = T24	1250mm	1226mm
6G = 625mm	15 = T15	625mm	610mm
12G = 1250mm	15 = T15	1250mm	1235mm

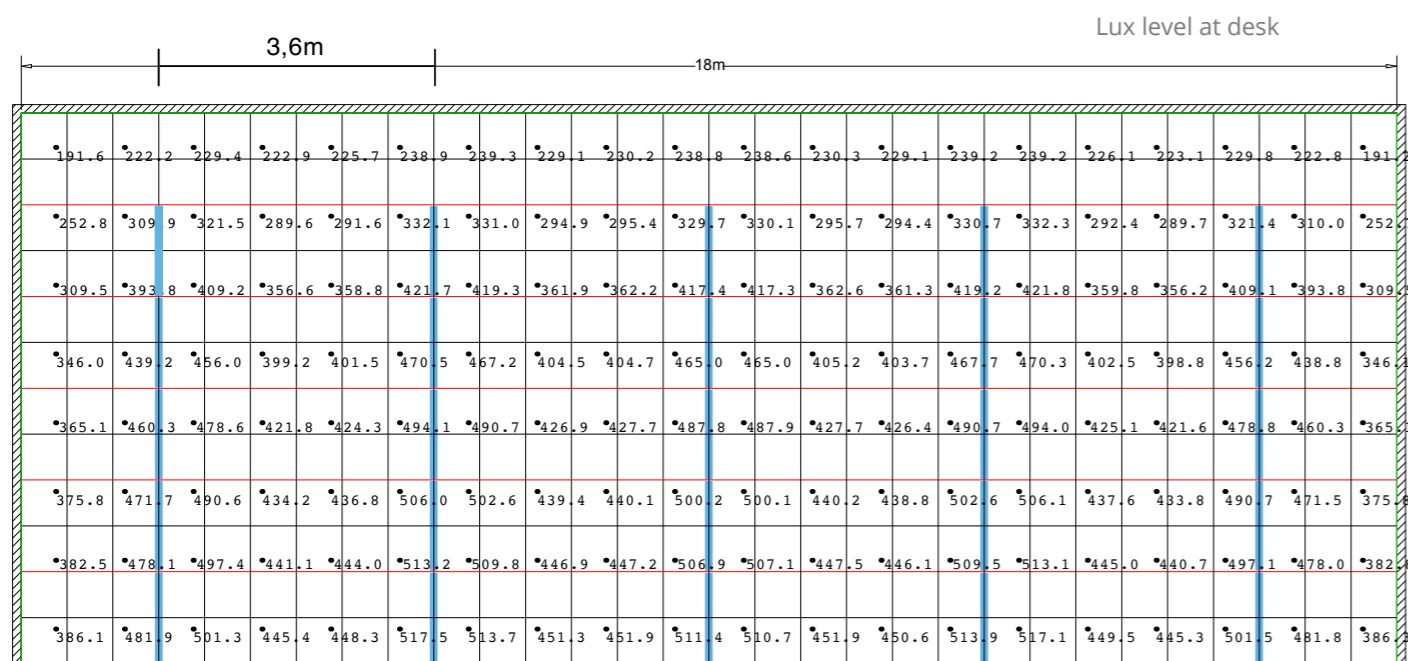


Private Office – Boston, MA

Lighting Layout Examples



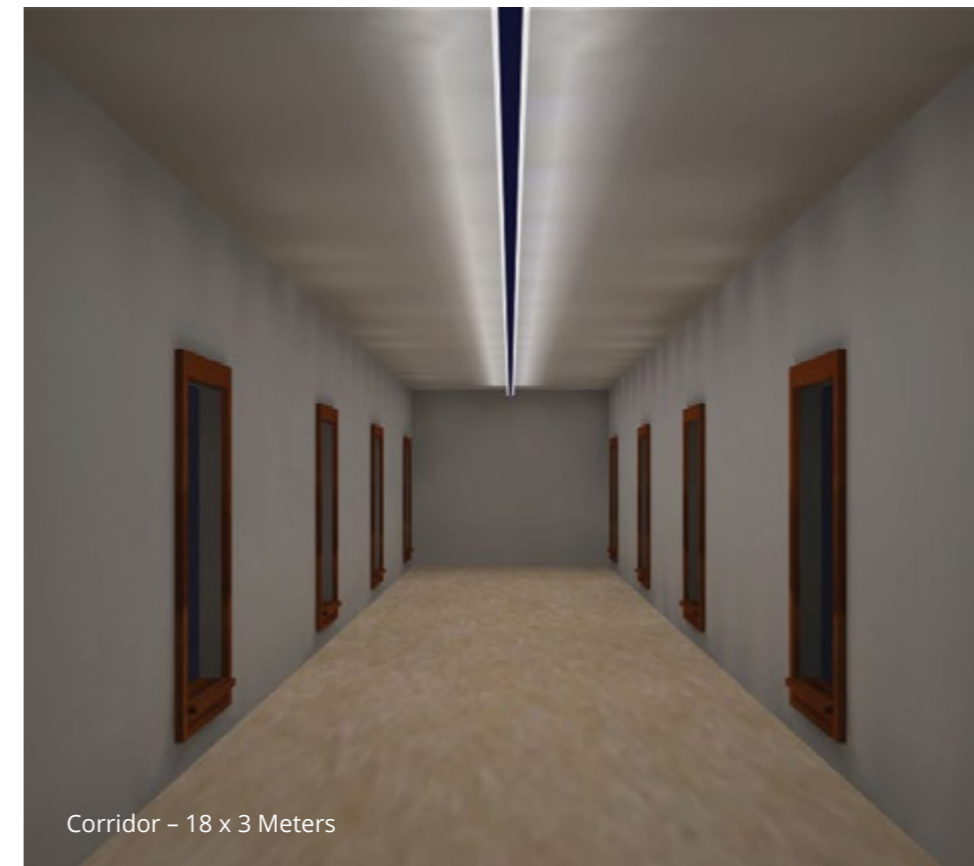
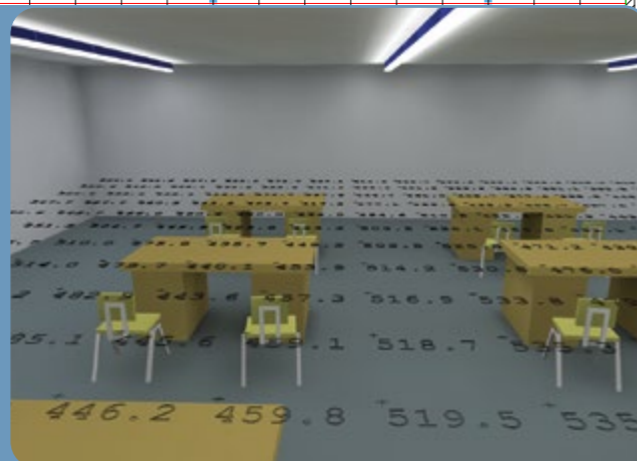
Open office – 6 x 6 Meters



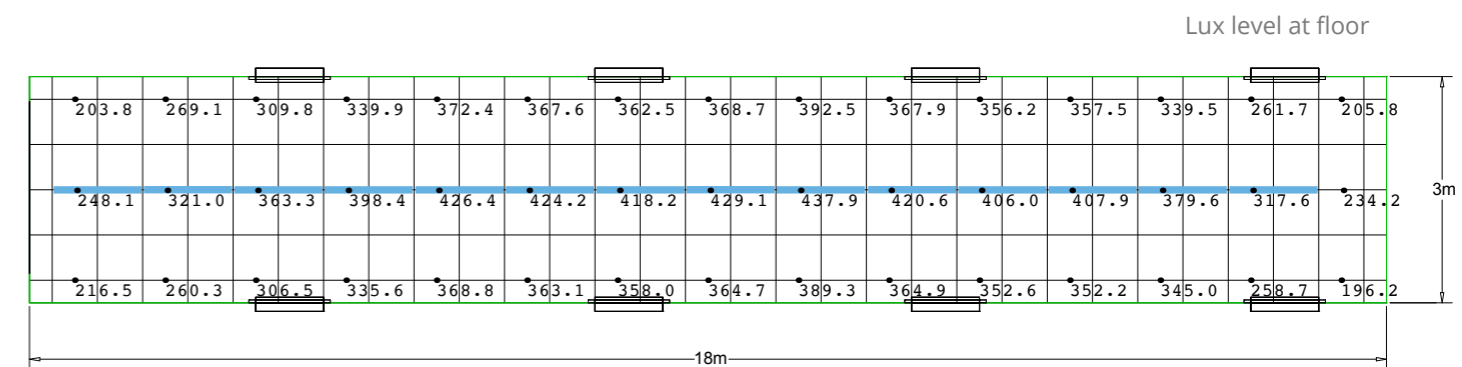
Room dimensions:
6 x 6 Meters
ceiling height – 2,7 Meters

Quantity of product:
65 pcs – TBUP-MN-12-24-IN-U-W
T-BAR UP 1200mm Indirect Lens T24 (4000K)

Average lux level achieved at desk:
413,14 LX



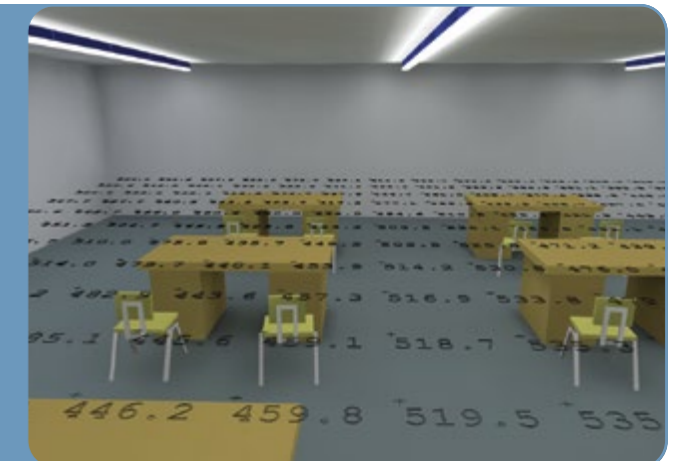
Corridor – 18 x 3 Meters



Room dimensions:
18 x 3 Meters
ceiling height – 2,7 Meters

Quantity of product:
14 pcs – TBUP-MN-12-24-IN-U-W
T-BAR UP 1200mm Indirect Lens T24 (4000K)

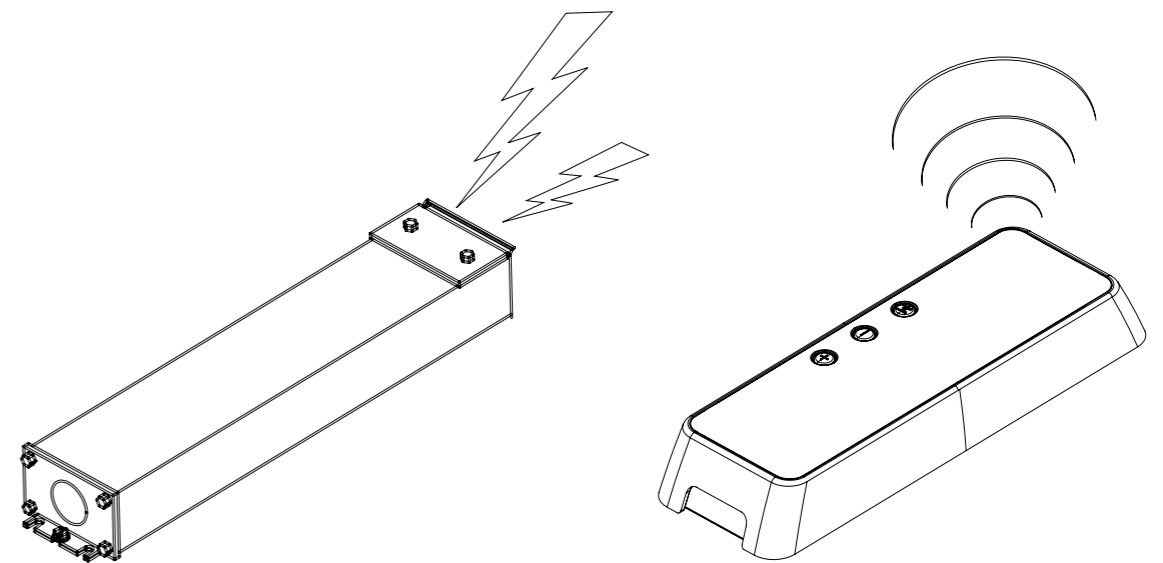
Average lux level achieved at floor:
340,88 LX



Remote LED Driver and Controller Options for

T3AR LED™

T3AR UP™

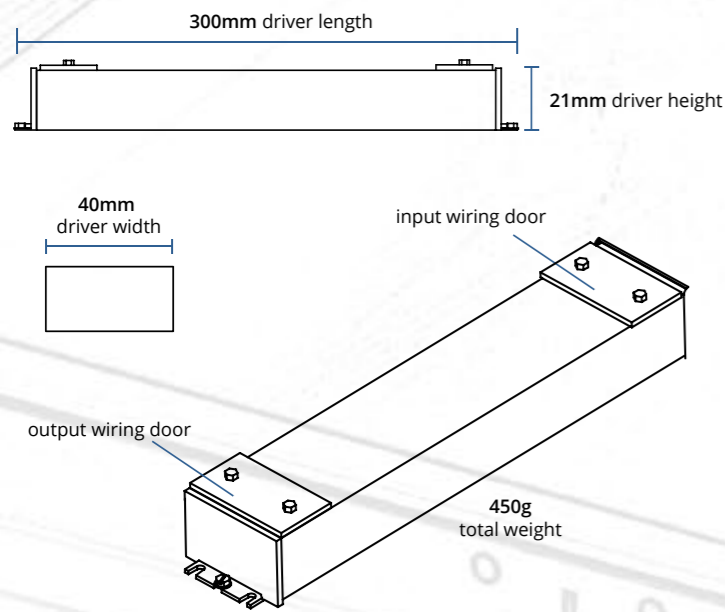


Remote LED Driver Options

The T-BAR LED and T-BAR UP run as a low-voltage installation on 24V DC power with only one remote nominal 100W driver required to illuminate up to 3.6 linear meters of product. Multiple fixtures are easily daisy chained together with factory ready quick-connectors at each end of the product. This simplified power system uses fewer and less expensive electrical materials for installation, resulting in a lower cost, as well as reduced energy loss.

In addition to the static operation of the T-BAR LED and T-BAR UP, a 100W DALI driver can also be used. When using the DALI driver, up to 3.6 linear meters of product can be connected simultaneously.

24VDC LED Driver 100W Power Supply IP 20 non dimmable



Static driver - 100W, 90-305V AC, 50-60Hz 24V DC.

Notes:

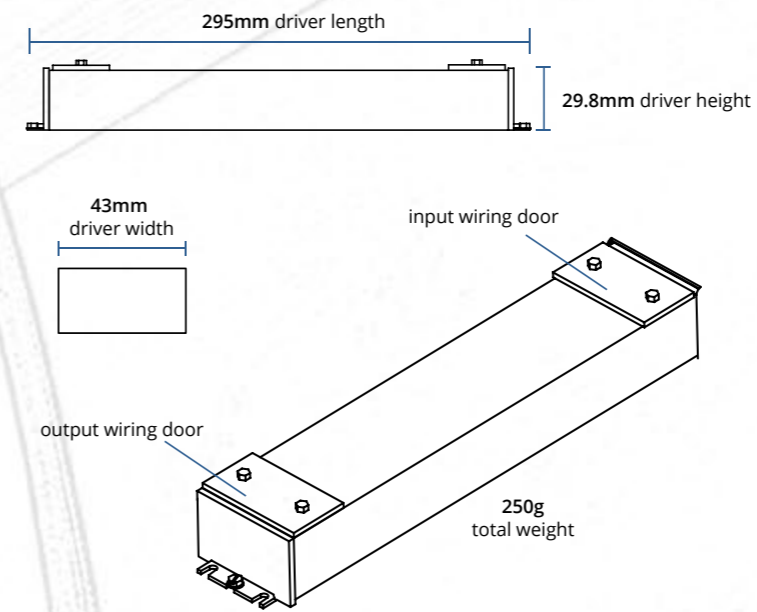
T-BAR LED modules can be parallel connected up to 3.6 linear meters max per power supply. Refer to table below.

Wiring Chart:

Gauge	Length
0.75 mm ²	9m maximum
1.5mm ²	14m maximum
2.5mm ²	21m maximum

* Extra cables for longer distances, by others

24VDC LED Driver 100W Power Supply IP 20 DALI/Touch Dim dimmable



DALI driver - 100W, 220-240V AC, 50-60Hz 24V DC.

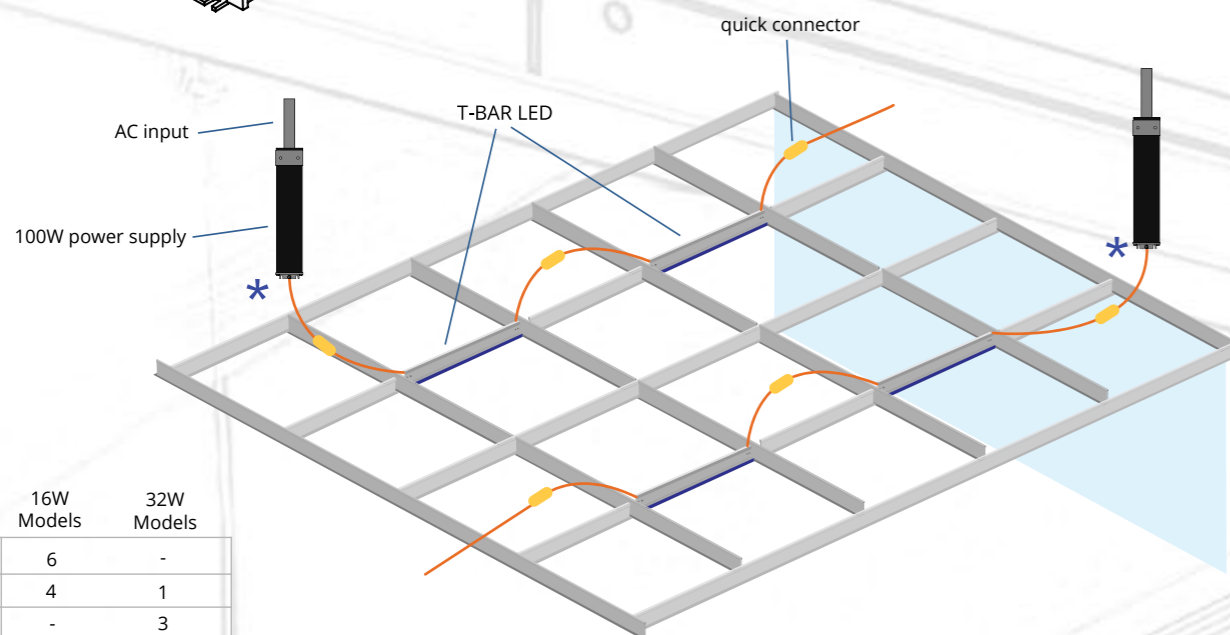
Notes:

T-BAR LED modules can be parallel connected up to 3.6 linear meters max per power supply. Refer to table below.

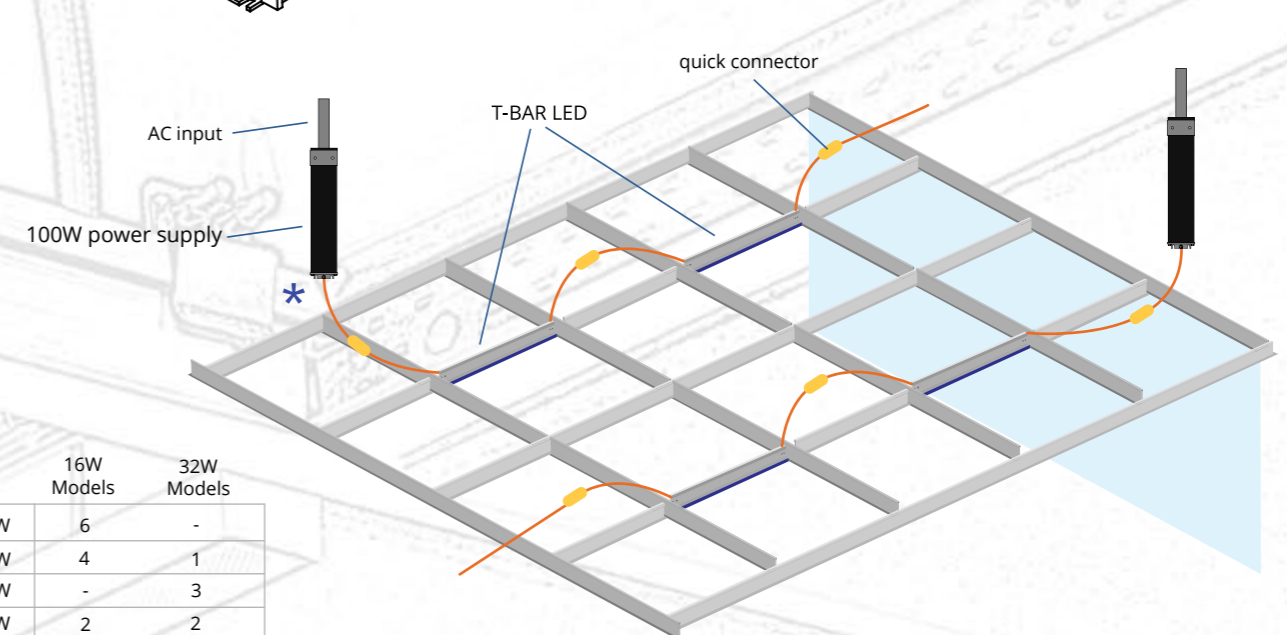
Wiring Chart:

Gauge	Length
0.75 mm ²	9m maximum
1.5mm ²	14m maximum
2.5mm ²	21m maximum

* Extra cables for longer distances, by others



	16W Models	32W Models
96W	6	-
96W	4	1
96W	-	3
96W	2	2



	16W Models	32W Models
96W	6	-
96W	4	1
96W	-	3
96W	2	2



MER Architectural Office – Bambora, Stockholm
MER Solution AB

T-BAR LED™ and T-BAR UP™ Power Supply Options

Remote Drivers | Order Specification Guide

T-BAR LED™ T-BAR UP™

Driver Item Number	Description
TBSL-15546	24VDC LED Driver 100W Power Supply IP 20 non dimmable
TBSL-15111	24VDC LED Driver 100W Power Supply IP 20 DALI/Touch Dim dimmable

24VDC LED Driver **100W Power Supply** IP 20 non dimmable

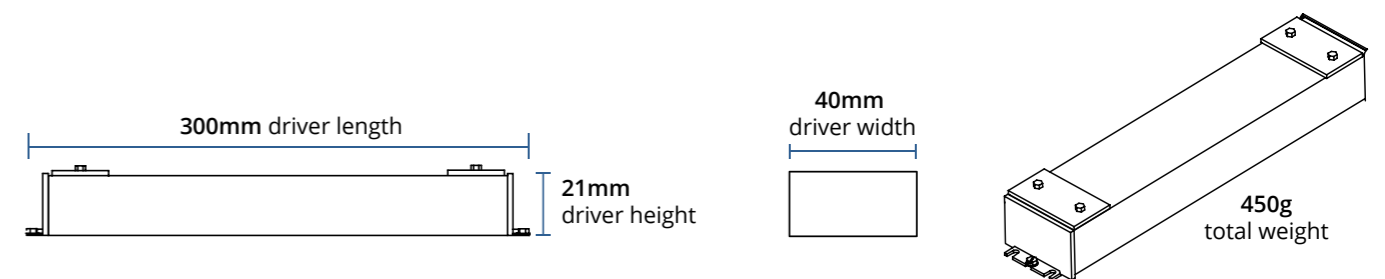


T-BAR LED modules can be parallel connected up to 3.6 linear meters max per power supply. This power supply includes wire compartment for AC input and DC output.

Approval marks: CCC / CE / CSA / EL / ENEC / RCM / UL

Protection class: II

Type of protection: IP20



24VDC LED Driver **100W Power Supply** IP 20 DALI/Touch Dim dimmable

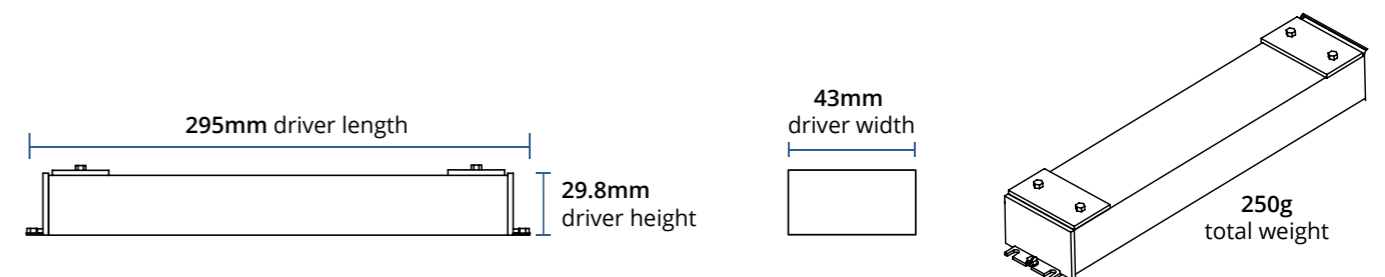


T-BAR LED modules can be parallel connected up to 3.6 linear meters max per power supply. This power supply includes wire compartment for AC input and DC output.

Approval marks: CE / ENEC 10 / VDE /VDE-EMC / RCM

Protection class: II

Type of protection: IP20



T-BAR LED™ and T-BAR UP™ Controllers for tunable white models

T-BAR LED and T-BAR UP Tunable White models require a low voltage controller interface paired with the standard T-BAR LED remote driver in order to adjust the color temperature. The 2700K to 5000K tuning range can be: automatically programmed to adjust CCT based on the time of day; manually selected using a DMX interface with eldoLED option; or controlled via Bluetooth and mobile app using the Casambi option. DALI control options also available, consult factory.



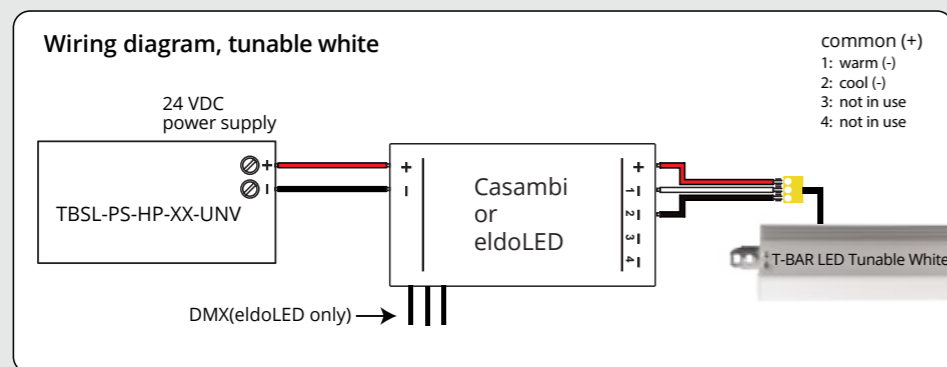
eldoLED
Lineardrive 100W DMX control

A low voltage DMX controller that features separate cool white and warm white output channels to be controlled via DMX interface. When paired with a T-BAR LED power supply, it can control up to 1.8 meters of tunable white product.



Casambi
4ch PWM dimmer Bluetooth control

A low voltage Bluetooth controller with separate cool white and warm white outputs, controlled with the free Casambi app. When paired with a T-BAR LED power supply, it can control up to 1.8 meters of tunable white product, and up to 127 Casambi units can form an intelligent mesh network.

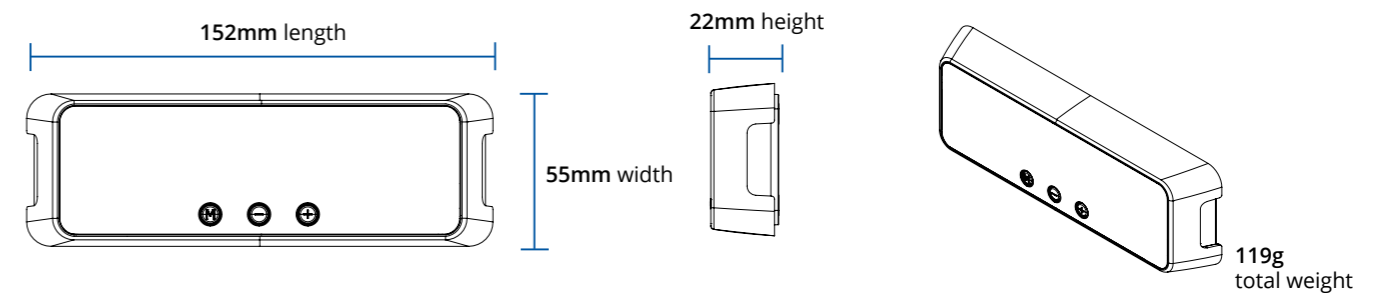


Remote Controllers | Order Specification Guide

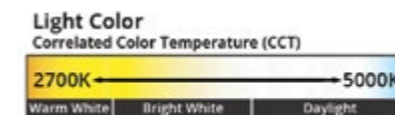
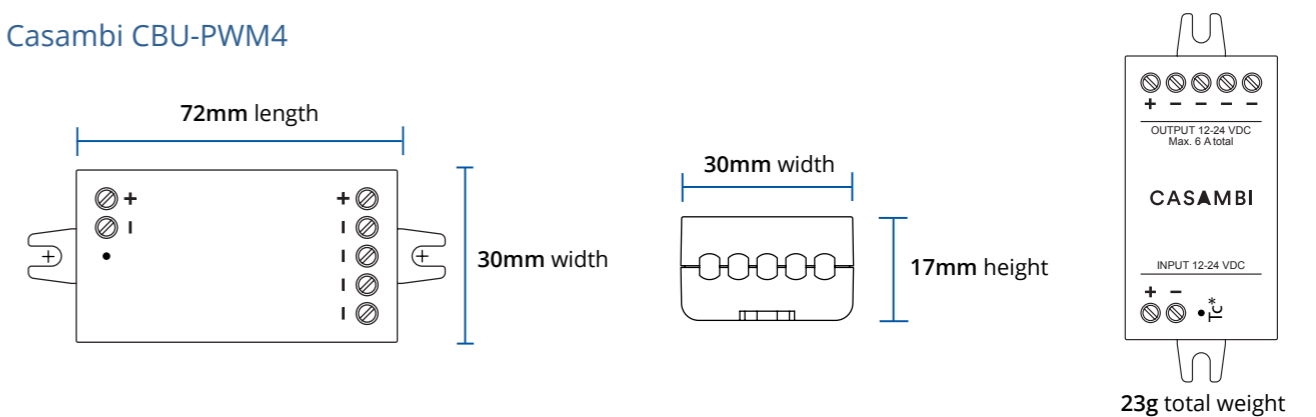
Controller Item Number	Description
TBTUNE-LIN100D2	eldoLED LINEARdrive DC, 100W, DMX/RDM controllable, 4 control channels, constant voltage, 4x LED outputs
TBTUNE-CBU-PWM4	Casambi CBU-PWM4, Bluetooth controllable 4ch PWM dimmer

WARRANTY: 5 years

eldoLED LINEARdrive 100D



Casambi CBU-PWM4



Noblis Headquarters – Reston, VA
SmithGroup

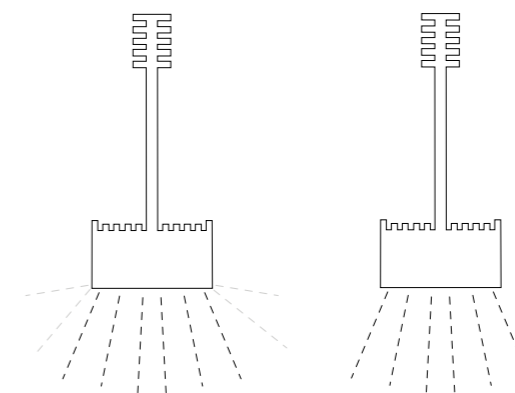


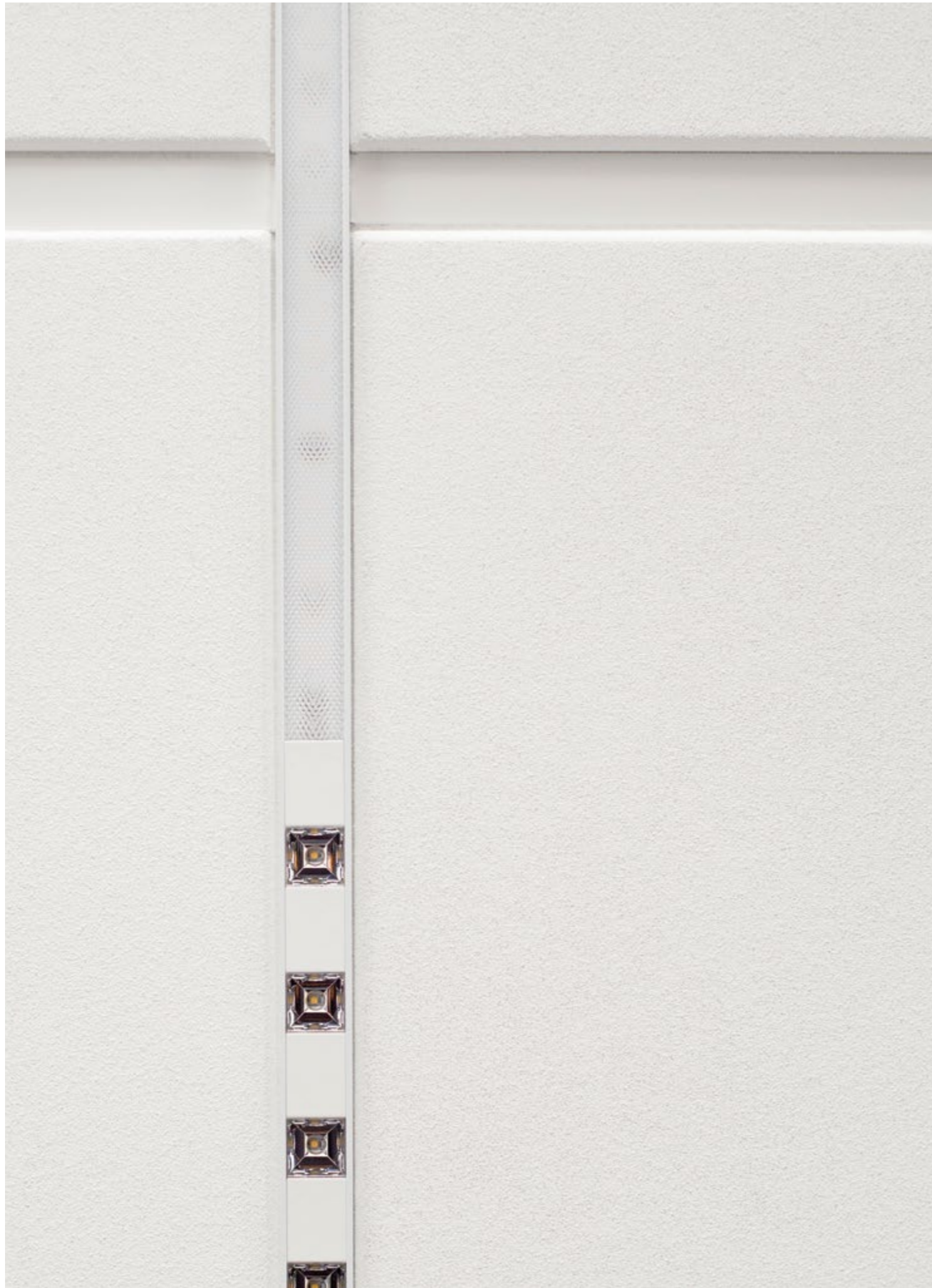
Growing Smiles Pediatric Dentistry - Lawrence, KS
Architect One / Latimer Sommers & Associates

T-BAR TWO™



The T-BAR TWO takes task-oriented lighting to a new level. In addition to becoming a part of the ceiling assembly, the T-BAR TWO offers a combination of dual optics controlled by a dual circuit allowing for flexibility in multi-purpose spaces. A room's ambiance is easily managed with this new ability to toggle between direct lighting and a concentrated angle of light.





T-BAR TWO

T24 and T15

PRODUCT CONCEPT

The T-BAR TWO offers a combination of dual optics controlled by a dual circuit for flexibility in multi-purpose spaces, while also providing a visually comfortable environment. The diffusing portion provides direct lighting using a micro-prismatic lens for a controlled distribution with even illumination. The cut-off reflector uses individual optics for a concentrated angle of light on the desired task area without unwanted glare on certain objects such as TV monitors.

DESCRIPTION

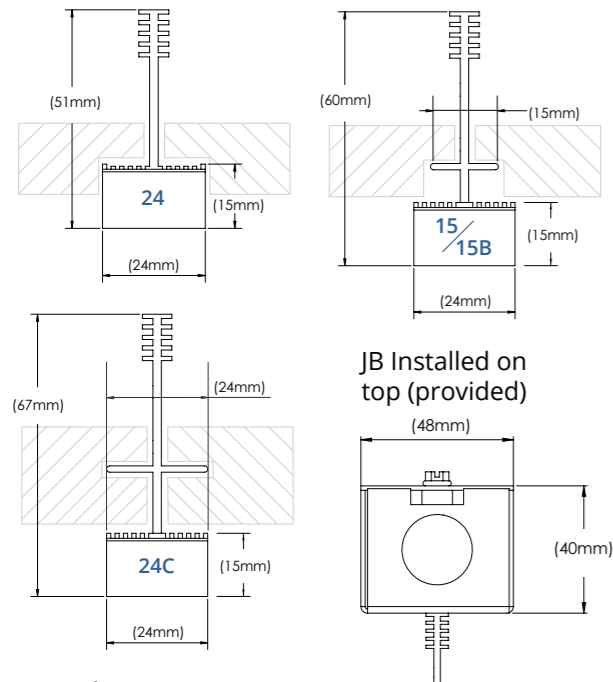
Anodized and painted aluminum extruded body, steel mounting clips, white PC end caps, high transmitting acrylic PMMA lens (diffusing lens) and high reflectance 98% aluminum coated or white or black PC reflectors for a dark light effect (cut-off reflector).



Product Name	Type of LED/K Color	Size	Grid Type	Optic	Mounting Clips	Color
TBTW = T-BAR TWO	HW = Warm White 3000K	6 = 600mm	24 = T24	CD = Cut-Off Reflector & Diffusing Lens	U = Universal	W = White
	MW = Medium Warm 3500K	12 = 1200mm	15 = T15	CDWH = White Cut-Off Reflector & Diffusing Lens	A = Armstrong	C = Custom
	MN = Medium Neutral 4000K	12L = 1200mm L*	15B = T15 Bolt Slot	CDBL = Black Cut-Off Reflector & Diffusing Lens	C = Custom	
	HN = Neutral White 4500K	6G = 625mm	24C = T24 Partially Concealed Grid			
		12G = 1250mm				
		12GL = 1250mm L*				

Patent No. 8,177,385; 9,879,850; D834,239; 178047. Additional patents are pending.

Profile Dimensions



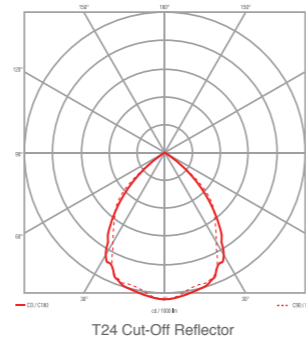
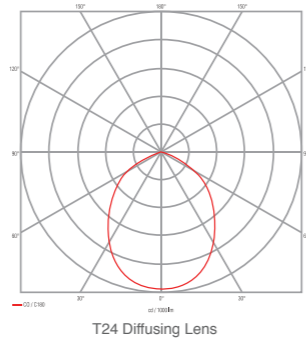
CRI = >82 L₈₀ > 60K hrs IP20

*Only available in 24 grid type

LIGHT OUTPUT:

600mm
 Diffusing = 769lm
 Cut-Off Reflector = 321lm
 Total = 1.071lm

1200mm
 Diffusing = 1.539lm
 Cut-Off Reflector = 643lm
 Total = 2.143lm



NOTES:

T-BAR TWO modules can be parallel connected up to 4.8 linear meters of each circuit max per power supply. Remote power supply includes JB compartment for AC input direct wiring with conduit. Max distance from power supply to fixtures is 9 meters with 0.75mm² wire. Longer distance achievable if using higher gauge wire.

APPLICATIONS:

Executive, Medical, Health, Educational, Retail, Hotels, Airport, Hospitality and any open space areas that require a unique and elegant architectural lighting design.

MOUNTING:

Universal mounting brackets are for easy installation to standard T24 or T15 T-Bars of most manufacturers' ceiling suspension systems. Armstrong compatible mounting clips for installation with Armstrong Ceiling T24 Prelude® and Clean Room™, T15 Suprafine®, Silhouette®, Sonata® and Interlude® suspension systems.

MATERIALS:

Anodized and painted aluminum extruded body, steel mounting clips, white PC end caps, high transmitting acrylic PMMA lens (diffusing lens) and high reflectance 98% aluminum coated or white or black PC reflectors for a dark light effect (cut-off reflector).

ELECTRIC:

Two circuit fixture consumes 10.8W on Circuit A Diffusion Lens (600mm fixture) and 5.75W on Circuit B Cut-Off Reflector (600mm fixture) or 21.6W on Circuit A (1200mm fixture) and 11.3W on Circuit B (1200mm fixture). Power supply consumption not included. Input voltage 24VDC. Junction box mounted on fixture with 4 cables of 0.75mm² inside for Circuit A and Circuit B connection to power supply.

WARRANTY:

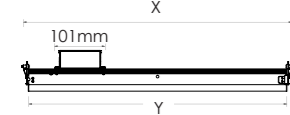
5 years

LISTINGS:

ETL/cETLus CE RoHS. Indoor use only.



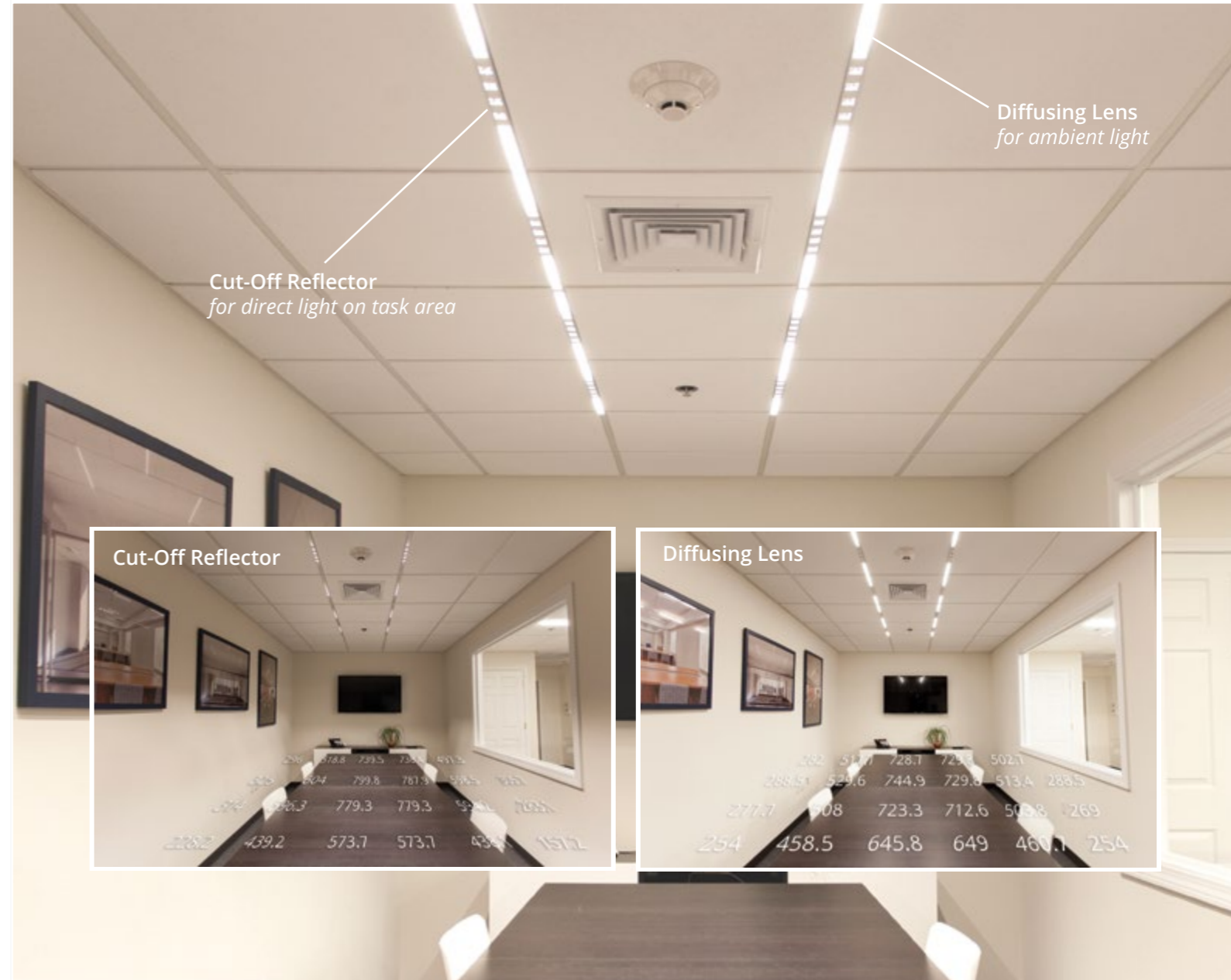
Length Dimensions



Size	Grid Type	X	Y
6 = 600mm	24 = T24	600mm	576mm
12 = 1200mm	24 = T24	1200mm	1176mm
12L = 1200mm L	24 = T24	1200mm	600mm
6 = 600mm	15 = T15	600mm	585mm
12 = 1200mm	15 = T15	1200mm	1185mm
12L = 1200mm L	15 = T15	1200mm	600mm

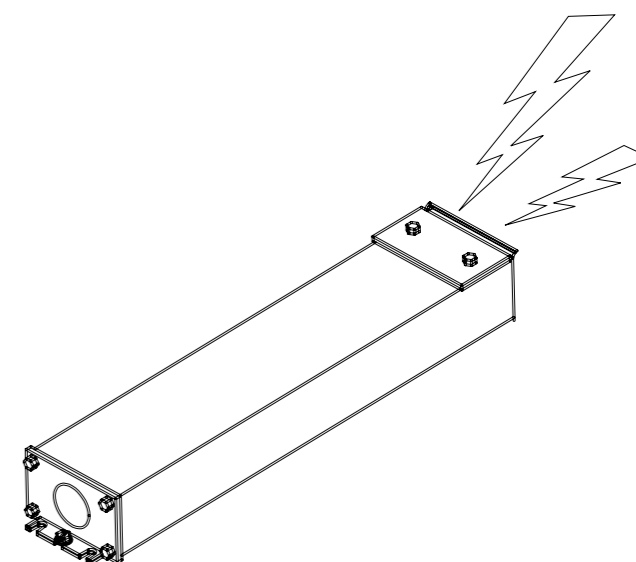
German Length Dimensions

Size	Grid Type	X	Y
6G = 625mm	24 = T24	625mm	601mm
12G = 1250mm	24 = T24	1250mm	1226mm
12GL = 1250mm L	24 = T24	1250mm	625mm
6G = 625mm	15 = T15	625mm	610mm
12G = 1250mm	15 = T15	1250mm	1235mm
12GL = 1250mm L	15 = T15	1250mm	625mm



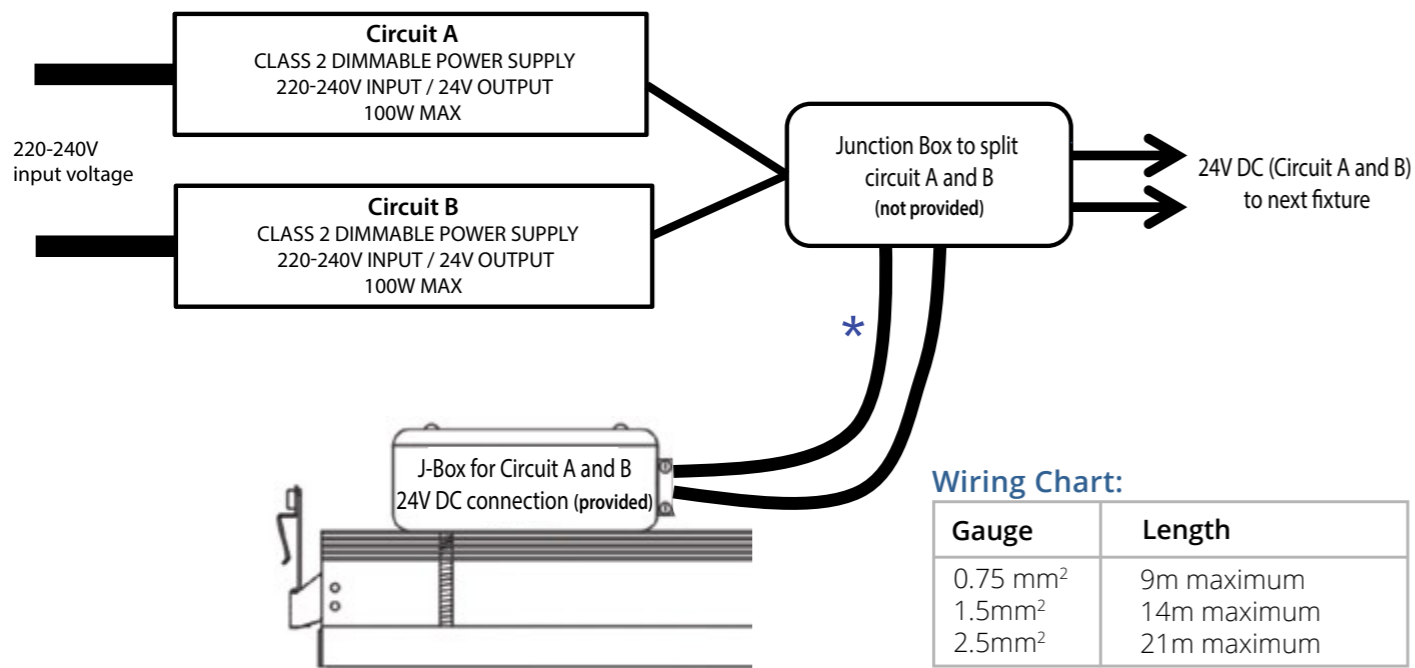
Remote LED Driver Options for

T3AR TWO™





Max Run Lengths				
	Circuit A Wattage	# Fixture/Driver A	Circuit B Wattage	# Fixture/Driver B
600/625mm	10.8W	8	5.75W	8
1200/1250mm	21.6W	4	11.3W	4



Wiring Chart:

Gauge	Length
0.75 mm ²	9m maximum
1.5mm ²	14m maximum
2.5mm ²	21m maximum

* Extra cables for longer distances, by others

T-BAR TWO™
Power Supply Options

Remote Drivers | Order Specification Guide

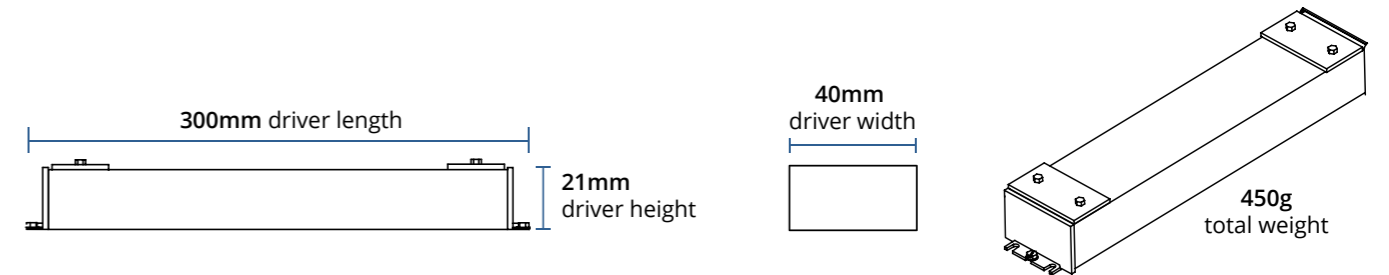
Driver Item Number	Description
TBSL-15546	24VDC LED Driver 100W Power Supply IP 20 non dimmable
TBSL-15111	24VDC LED Driver 100W Power Supply IP 20 DALI/Touch Dim dimmable

24VDC LED Driver **100W Power Supply**
IP 20 non dimmable



T-BAR LED modules can be parallel connected up to 3.6 linear meters max per power supply. This power supply includes wire compartment for AC input and DC output.

Approval marks: CCC / CE / CSA / EL / ENEC / RCM / UL
Protection class: II
Type of protection: IP20

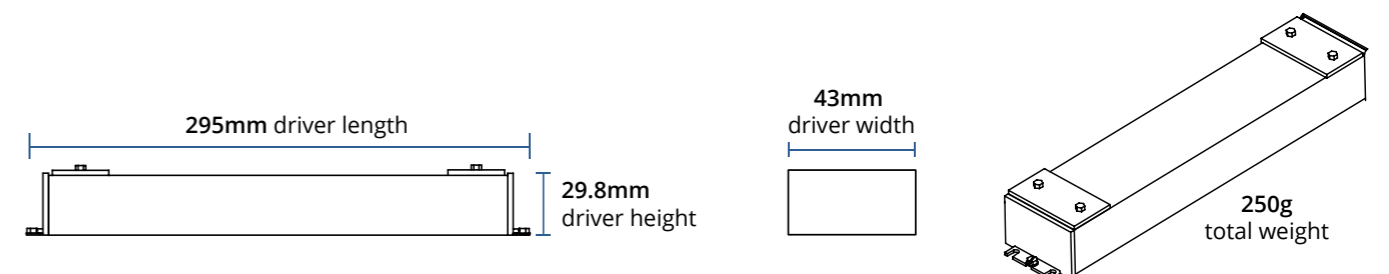


24VDC LED Driver **100W Power Supply**
IP 20 DALI/Touch Dim dimmable



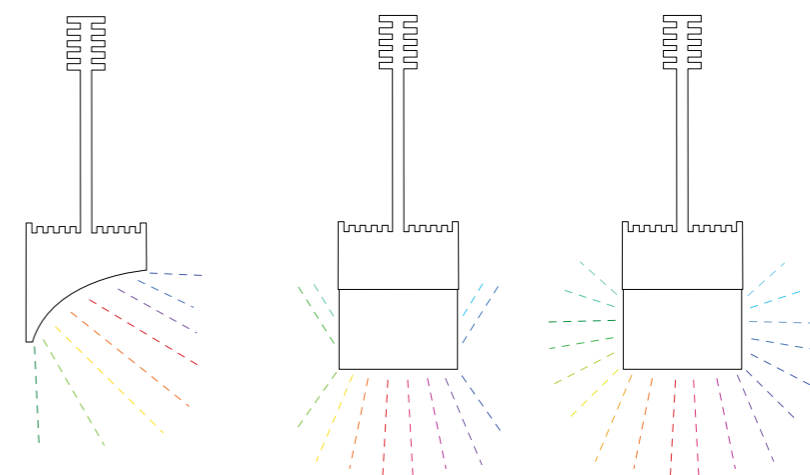
T-BAR LED modules can be parallel connected up to 3.6 linear meters max per power supply. This power supply includes wire compartment for AC input and DC output.

Approval marks: CE / ENEC 10 / VDE /VDE-EMC / RCM
Protection class: II
Type of protection: IP20



T-BAR RGBW™

Add dramatic lighting effects to a space and create a bold statement with JLC-Tech's T-BAR RGBW product line. Capable of both white color tuning as well as full-color control, the T-BAR RGBW brings the latest in LED color mixing technology to JLC-Tech's patented design.



T-BAR RGBW

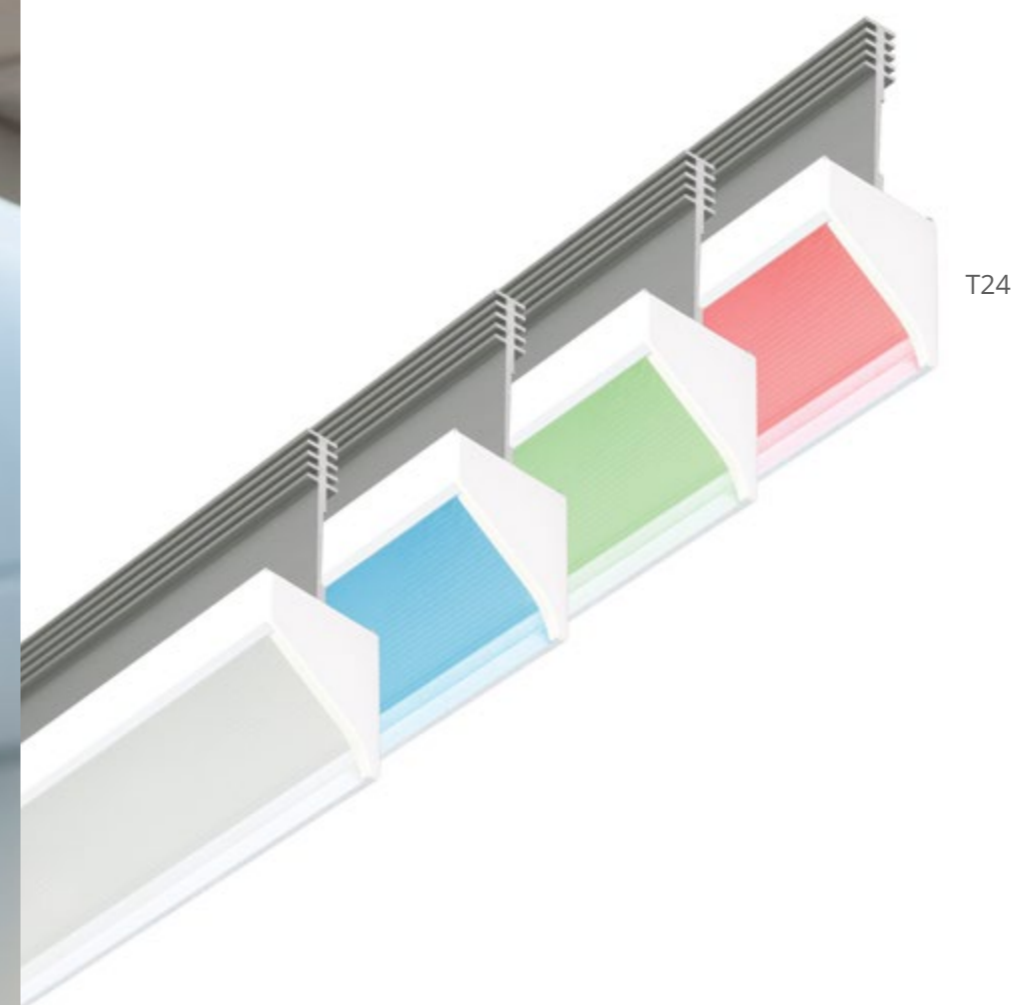
T24

PRODUCT CONCEPT

The combination of separate RGB and white emitters allow for precise control across the color spectrum providing tunable white light, or bold splashes of color available in the Asymmetric, Clear Block and Frosted Block. Ideal for wall washing or ambient lighting, T-BAR RGBW is the perfect solution to transform a space into a dynamic environment.

DESCRIPTION

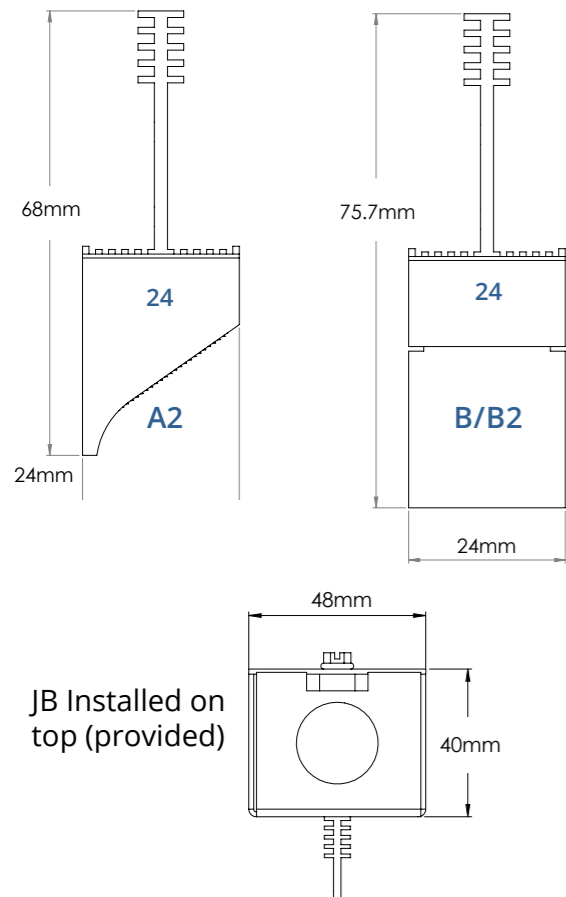
Anodized and painted aluminum extruded body, steel mounting clips, white PC end caps, high transmitting acrylic PMMA lens (asymmetric, block diffusing lens).



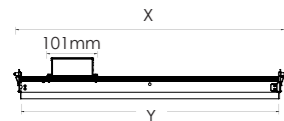
Product Name	Type of LED/K Color	Size	Grid Type	Optic	Mounting Clips	Color
TBRGB = T-BAR RGBW	MW = Medium Warm 3500K + RGB	6 = 600mm 12 = 1200mm 12L = 1200mm L 6G = 625mm 12G = 1250mm 12GL = 1250mm L	24 = T24	A2 = Asymmetric B = Block Clear Diffusing Lens B2 = Block Frosted Diffusing Lens S = Acrylic Signage	U = Universal A = Armstrong C = Custom	W = White C = Custom

Patent No. 8,177,385; 9,879,850; D834,238; 178048. Additional patents are pending.

Profile Dimensions



Length Dimensions



Size	Grid Type	X	Y
6 = 600mm	24 = T24	600mm	576mm
12 = 1200mm	24 = T24	1200mm	1176mm
12L = 1200mm L	24 = T24	1200mm	600mm

German Length Dimensions

Size	Grid Type	X	Y
6G = 625mm	24 = T24	625mm	601mm
12G = 1250mm	24 = T24	1250mm	1226mm
12GL = 1250mm L	24 = T24	1250mm	625mm

CRI = >82 L₈₀ > 60K hrs IP40

LIGHT OUTPUT:

- Asymmetric = 559lm/300mm (white only)
- Block Clear Diffusing = 513lm/300mm (white only)
- Block Frosted Diffusing = 552lm/300mm (white only)

NOTES:

T-BAR RGBW modules can be parallel connected up to 1.8 linear meters max per power supply. Remote power supply includes JB compartment for AC input direct wiring with metal conduit. Max distance from power supply to controller is 9 meters with 0.75mm² wire. Longer distance achievable if using higher gauge wire. Remote color controller must be installed in accordance with local electrical codes.

APPLICATIONS:

Executive, Medical, Health, Educational, Retail, Hotels, Airport, Hospitality and any open space areas that require a unique and decorative architectural lighting design effect.

MOUNTING:

Universal mounting brackets are for easy installation to standard T24 T-Bars of most manufacturers' ceiling suspension systems. Armstrong compatible mounting clips for installation with Armstrong Ceiling T24 Prelude® and Clean Room™ suspension systems.

MATERIALS:

Anodized and painted aluminum extruded body, steel mounting clips, white PC end caps, high transmitting acrylic PMMA lens (asymmetric, block diffusing lens).

ELECTRIC:

High output LEDs consume 8W/300mm white channel and 8W/300mm RGB channel. Power supply consumption not included. Input voltage 24VDC. Junction box installed on fixture with 5 wires inside for connection to control system or another fixture, (max 1.8 linear meters of product).

CONTROLS:

Standard control options include EldoLED LINEAR drive 100D (DMX compatible), Casambi CBU-PWM4 (Bluetooth Mesh).

WARRANTY:

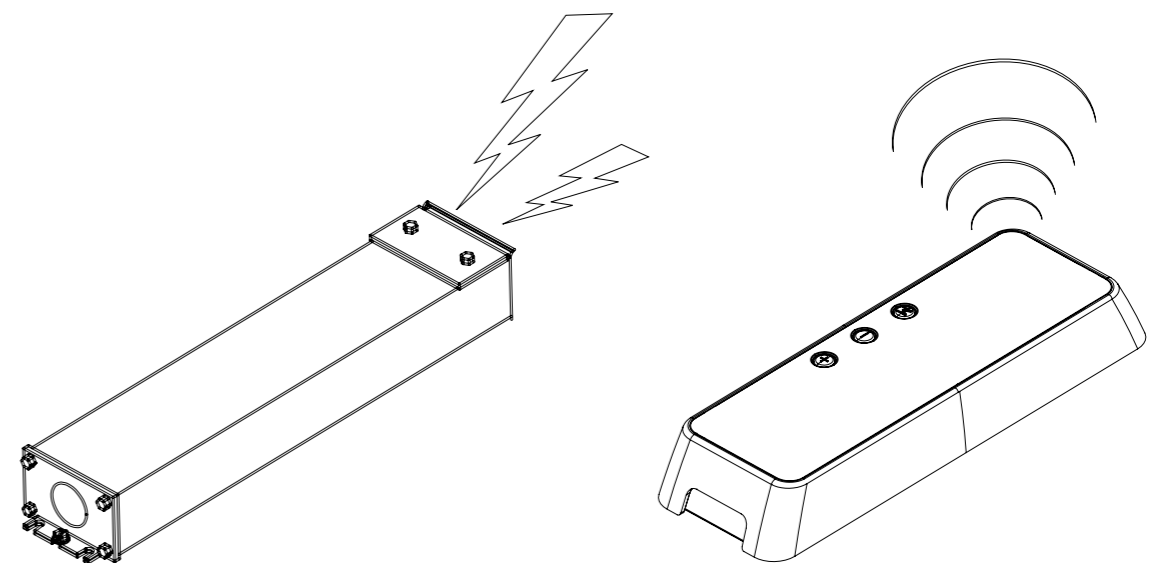
5 years

LISTINGS:

ETL/cETLus CE RoHS. Indoor use only.



Remote LED Driver and Controller Options for
T3AR RGBW™



T-BAR RGBW™ Power Supply Options



24VDC LED Driver 100W Power Supply

IP 20 non dimmable

T-BAR LED modules can be parallel connected up to 3.6 linear meters max per power supply. This power supply includes wire compartment for AC input and DC output.

Approval marks: CCC / CE / CSA / EL / ENEC / RCM / UL

Protection class: II

Type of protection: IP20



24VDC LED Driver 100W Power Supply

IP 20 DALI/Touch Dim dimmable

T-BAR LED modules can be parallel connected up to 3.6 linear meters max per power supply. This power supply includes wire compartment for AC input and DC output.

Approval marks: CE / ENEC 10 / VDE / VDE-EMC / RCM

Protection class: II

Type of protection: IP20

T-BAR RGBW™ Controller Options



eldoLED

Lineardrive 100W DMX control

A low voltage DMX controller that features four LED outputs that can be controlled individually via DMX. When paired with a T-BAR RGBW power supply, it can control up to 1.8 Meters of T-BAR RGBW fixtures.

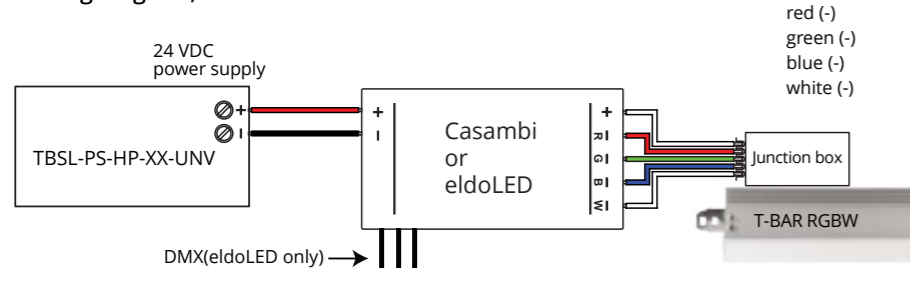


Casambi

4ch PWM dimmer Bluetooth control

A low voltage Bluetooth controller with four LED outputs, controlled with the free Casambi app. When paired with a T-BAR RGBW power supply, it can control up to 1.8 Meters of T-BAR RGBW fixtures, and up to 127 Casambi units can form an intelligent mesh network.

Wiring diagram, RGBW



Wiring Chart:

Gauge	Length
0.75 mm ²	9m maximum
1.5mm ²	14m maximum
2.5mm ²	21m maximum

Extra cables for longer distances, by others

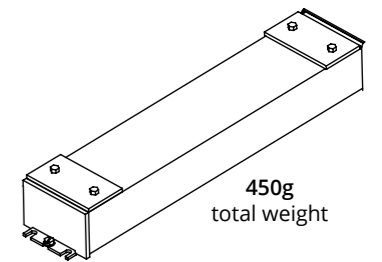
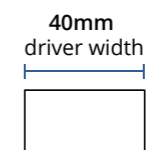
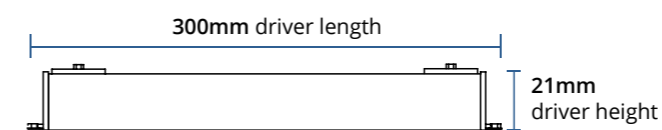
Remote Drivers and Controllers | Order Specification Guide

T-BAR RGBW™

Driver Item Number	Description
TBSL-15546	24VDC LED Driver 100W Power Supply IP 20 non dimmable
TBSL-15111	24VDC LED Driver 100W Power Supply IP 20 DALI/Touch Dim dimmable
Controller Item Number	Description
TBRGB-LIN100D2	eldoLED LINEARdrive DC, 100W, DMX/RDM controllable, 4 control channels, constant voltage, 4x LED outputs
TBRGB-CBU-PWM4	Casambi CBU-PWM4, Bluetooth controllable 4ch PWM dimmer

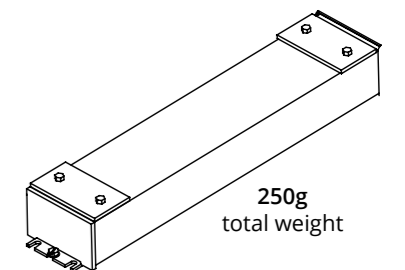
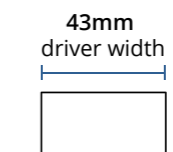
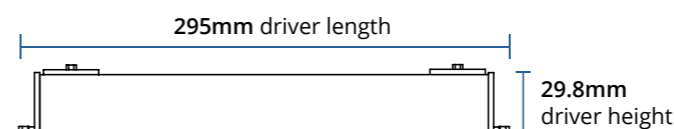
24VDC LED Driver 100W Power Supply

IP 20 non dimmable

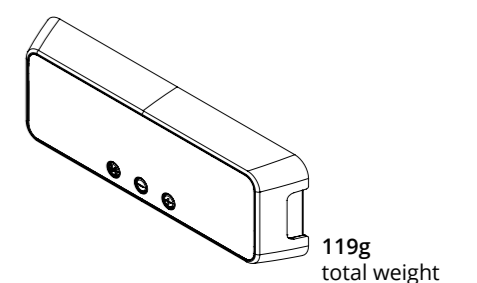
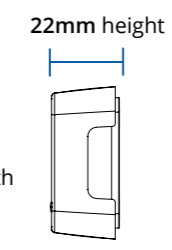
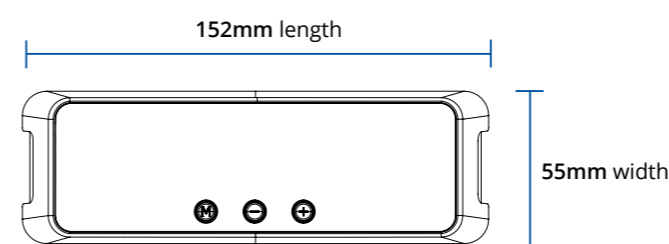


24VDC LED Driver 100W Power Supply

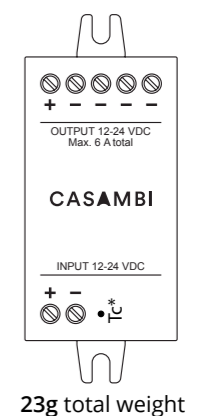
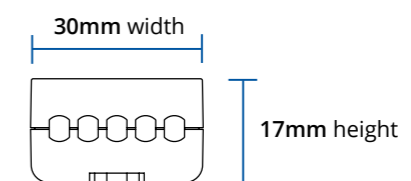
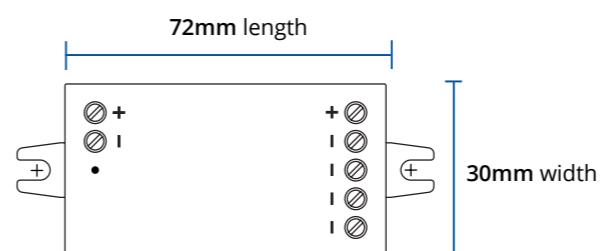
IP 20 DALI/Touch Dim dimmable



eldoLED LINEARdrive 100D



Casambi CBU-PWM4





George Bush Intercontinental Airport,
United Terminal C North Concourse - Houston, TX
HLB Lighting Design / Pierce Goodwin Alexander & Linville

JLC • tech



The simple lighting solution for your next project.

JLC-Tech was founded with one singular vision: to create unique and useful LED lighting fixtures.

Improve room acoustics, achieve even illumination, reduce installation costs and minimize construction waste by using JLC-Tech's products, the only lighting fixtures that replace the cross tee in the suspended ceiling system.

"The IES Progress Committee has recognized the T-BAR LED as a unique and significant advancement to the art and science of lighting."



JLC-Tech LLC
370 Corporate Park, Pembroke, MA 02359 - USA

T +1-781-826-8162 F +1-781-826-8163
info@jlc-tech.com
www.jlc-tech.com

© 2019 JLC-Tech LLC, All Rights Reserved

The T-BAR LED product line is protected under the following patents:
Patent No. 8,177,385; 9,879,850; D834,238; 178048; D834,239; 178047; 10,145,536.
Additional patents are pending.