

# RUBY MC

FAÇADE LIGHTING

Satisfying a wide variety of architectural and landscape illumination needs, this stylish medium-sized rounded fixture is based on an efficient combination of powerful RGBW or tunable white multichip LEDs. **RUBY MC** is ideal for spot lighting and wall washing effects owing to the available optics groups ranging from spot aperture beams to wide distribution.



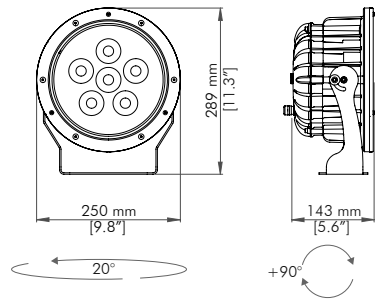
R U B Y M C

Fox Belysning AB Tellusgängen 8 Telefonplan 126 26 Hägersten 08-440 85 40

GRIVEN

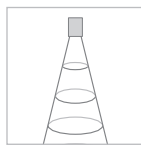
# RUBY MC

GRIVEND



## BEAM ANGLE REFERENCE

SPOT	7°
NARROW	10°
MEDIUM	23°
WIDE	35°



MAX OUTPUT  
1767 lm  
(SP DW configuration)

PHOTOMETRIC DETAILS AVAILABLE ON OUR WEBSITE

## FEATURES AND OPTIONS



## ACCESSORIES



AL4366  
BARNDOOR



AL4985  
SNOOT



AL4984  
VISOR



AL1321 INFRARED  
REMOTE CONTROL



AL8225  
3G FIXING BRACKET



AL8218  
210 mm FIXING BRACKET



AL8219  
280 mm FIXING BRACKET



AL8220  
350 mm FIXING BRACKET

## CODES

AL5249 RUBY MC

OPTICS	LED TYPE	FINISH	OPTION
SP Spot	RN RGB+W 4000K	W White RAL 9003	PE Polar Edition
NA Narrow	DW From 3000K to 6500K	G GRIVEN Grey	
ME Medium		A Anthracite RAL 7016	
WI Wide		B Black RAL 9005	

## NOTES

Unless an RDM compatible control is used, RUBY MC must always be purchased with AL1321 Infrared Remote Control. More RUBY MC units can be controlled with one AL1321.

## TECHNICAL SPECIFICATIONS

RUBY MC is an IP66 medium sized floodlight, whose aluminium body hosts 6 high brightness RGBW or Dynamic White multichip power LEDs. Dimensions: 250 mm x 143 mm x 289 mm. Available in DMX, automatic and Master-Slave mode, it also features RFU (Remote firmware update) and RDM (Remote device management) functions. Unless an RDM compatible control is used, one Infrared Remote Control AL1321 must always be purchased for one or more RUBY MC units in order to access DMX addressing, stand-alone operations and DMX channels configurations. Power supply: standard 100÷277V / 50-60Hz. Power consumption: 0.26A @ 230V / 57W max. An Electrical Class I appliance, it also features self-resetting fuse protection as well as integrated electronic thermal protection management. The Polar Edition, fitted with an integrated de-icing system with electrically heated glass, is available on request. Operating temperature: -30°C to 45°C (-40°F to 122°F).

DIGITAL CONTROL SYSTEM SPECIFICATIONS AND CONFIGURATIONS AVAILABLE ON OUR WEBSITE