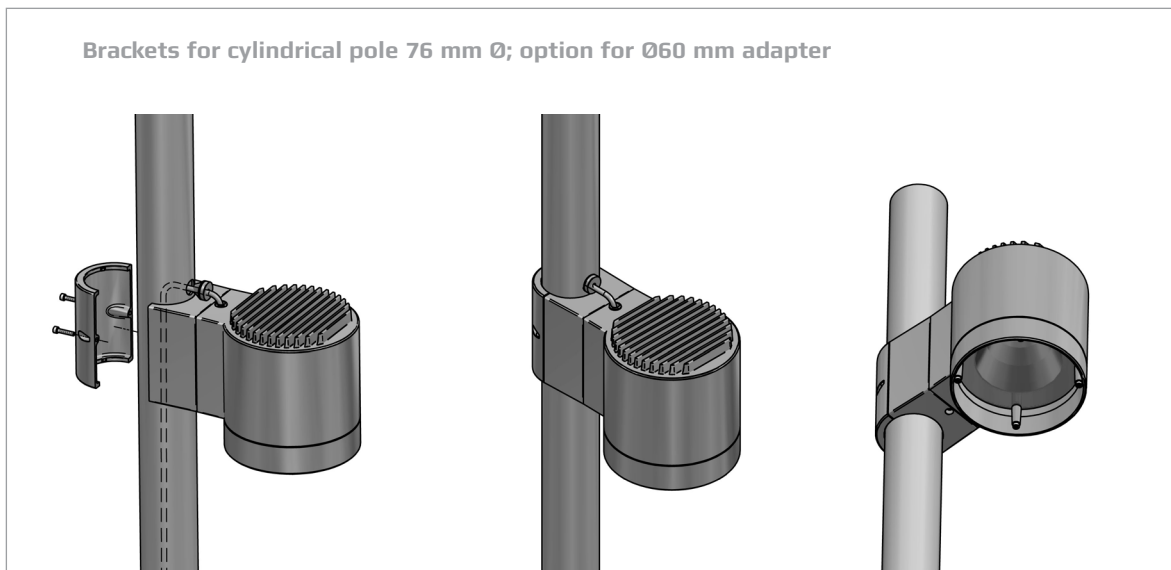


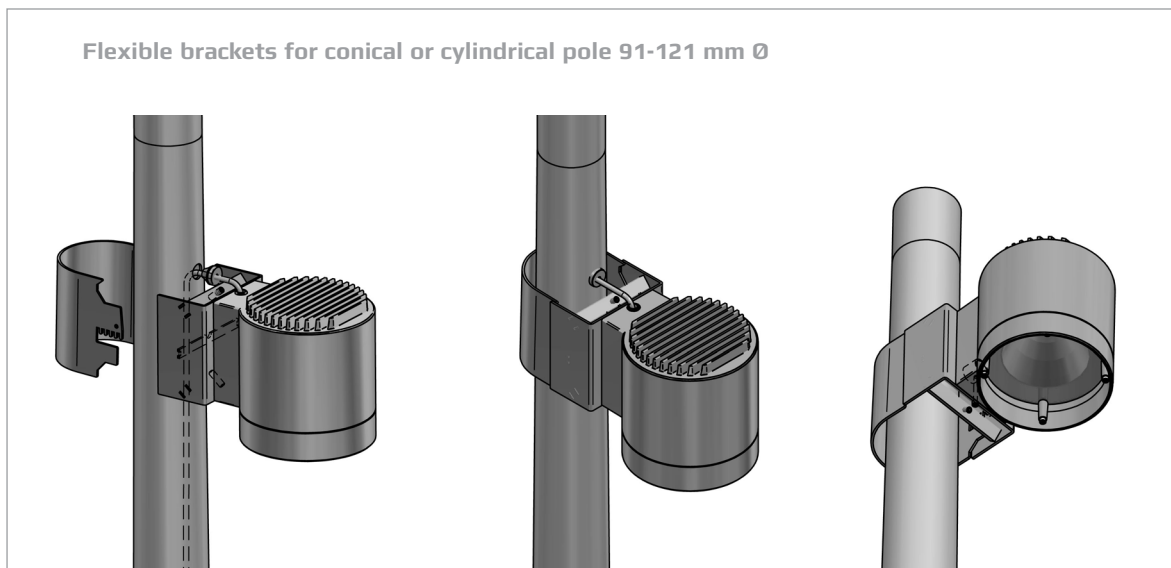
Turn - brackets for cylindrical or conical pole

Design: FRIIS & MOLTKE Design

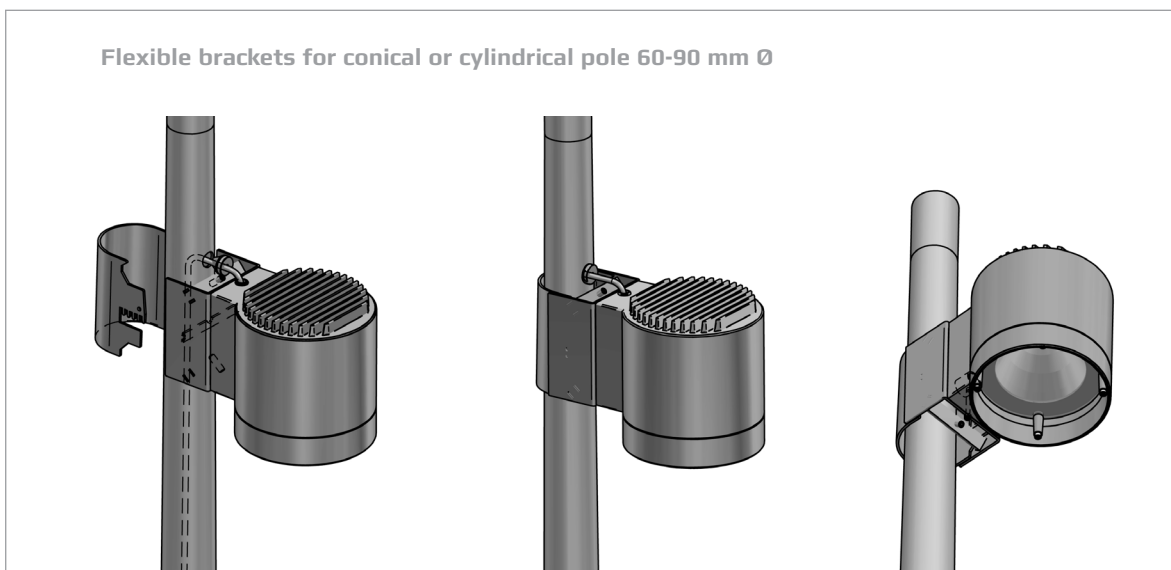
Brackets for cylindrical pole 76 mm Ø; option for Ø60 mm adapter



Flexible brackets for conical or cylindrical pole 91-121 mm Ø



Flexible brackets for conical or cylindrical pole 60-90 mm Ø



FOCUS-LIGHTING